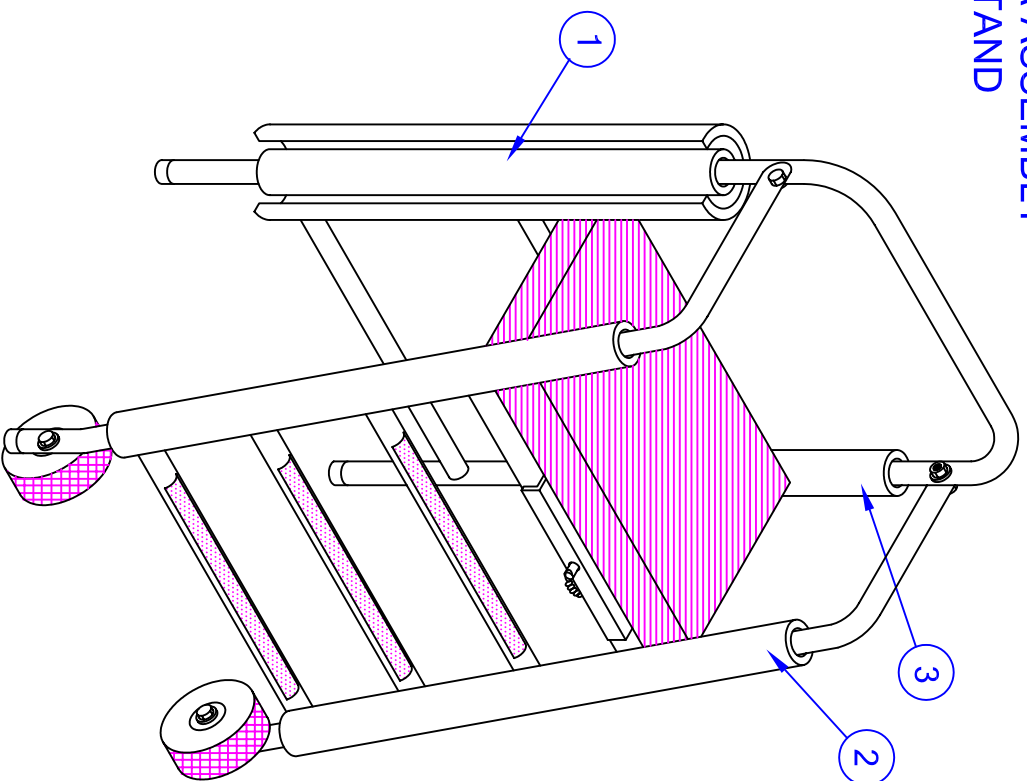


NOTE
 SEE SEPARATE VRS-6000
 INSTRUCTIONS FOR ASSEMBLY
 OF REFEREE STAND



PLEASE NOTE:

- 1) FOR SAFE OPERATION AND CONTINUED HIGH PERFORMANCE FROM THIS EQUIPMENT, INSPECTION AND MAINTENANCE MUST BE PERFORMED BEFORE EACH USE
- 2) USE OF THIS EQUIPMENT OTHER THAN INTENDED, MAY BE HAZARDOUS.
- 3) ALTERATION OR MODIFICATION OF EQUIPMENT MAY BE HAZARDOUS. FOR REPAIR OR REPLACEMENT, PLEASE CALL YOUR DEALER

LIST OF MATERIALS			
PIECE #	PART #	DESCRIPTION	QTY.
1	FM0022	INSUL-TUBE	4
2	VRS605	LADDER FRAME PAD	2
3	VRS606	FRONT FRAME PAD	2

CAUTION

MAXIMUM ALLOWABLE LOAD IS 250
 POUNDS. DO NOT LEAN ACROSS RAILINGS
 OR UNIT MAY TOPPLE OVER.

Jaypro Sports

976 Hartford Turnpike
 Waterford, CT 06385 USA
 (800)243-0533
 (800)988-3363 Fax
 www.jaypro.com

MODEL NO.:
VRS-60P

PRODUCT NAME:
 REFEREE STAND
 PAD

DRAWN BY: JAC EFFECTIVE DATE:
 6-3-03