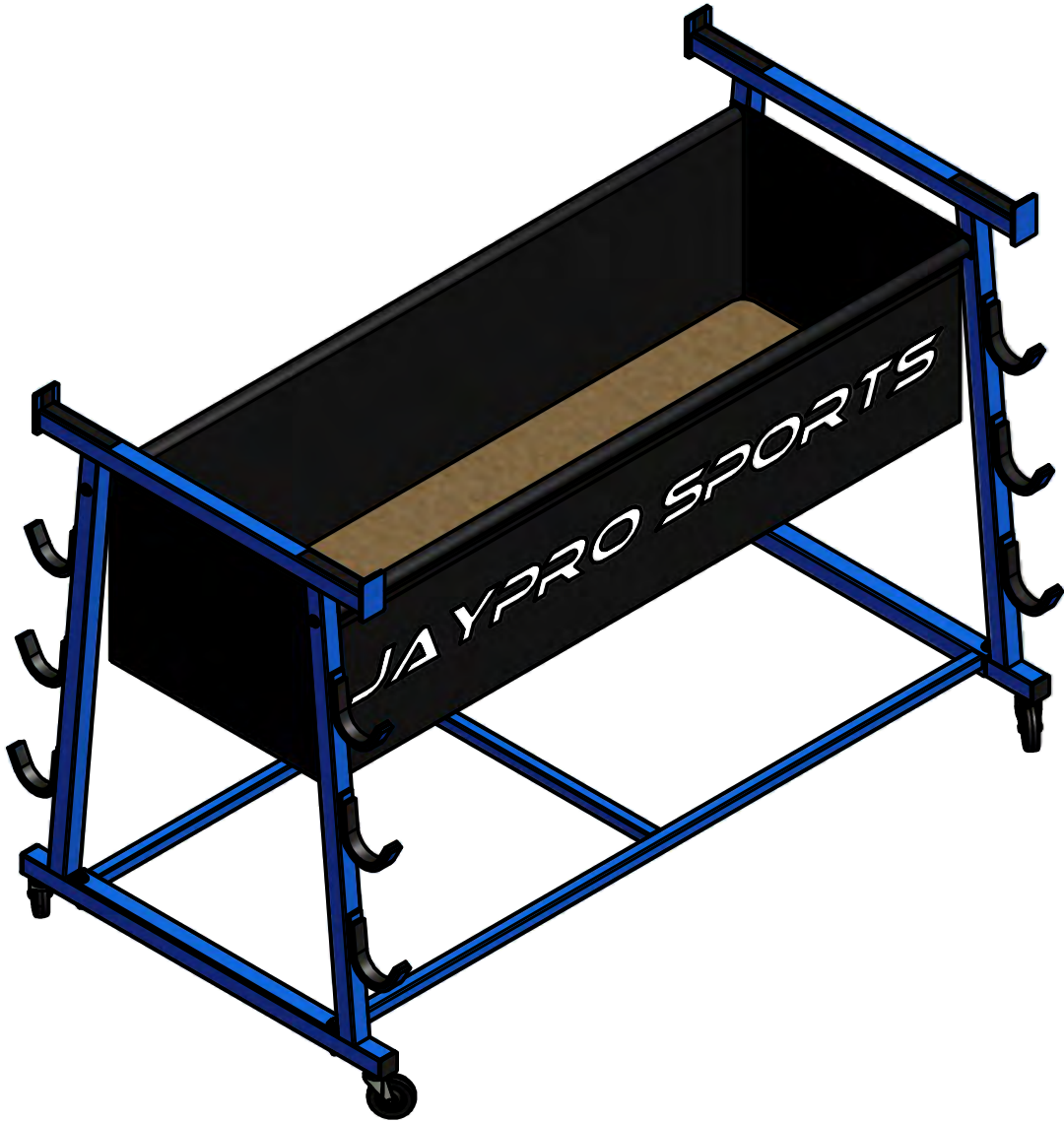


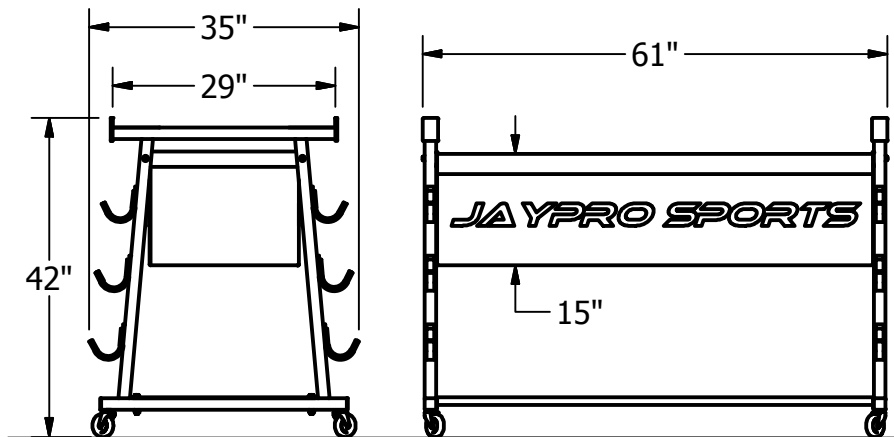
VEC-1

THREE SYSTEM VOLLEYBALL EQUIPMENT CART CARRIER



FEATURES:

- * HEAVY-DUTY STEEL FRAME
- * STORES UP TO SIX STANDARDS ALONG WITH NETS, BALLS PADS AND ANTENNAE
- * 29" WIDE REFEREE STAND MOUNT
- * LARGE CASTERS PROVIDE SMOOTH PORTABILITY
- * COMES WITH TOUGH, BLUE POWDER COAT FINISH
- * INCLUDES VINYL STORAGE BAG AND BOTTOM BOARD



REV.	DESCRIPTION	DATE	BY
-	INITIAL RELEASE	7/10	MT
A	UPDATE PRODUCT IMAGE	2/11	MT

VEC-1
THREE SYSTEM VOLLEYBALL
EQUIPMENT CART CARRIER

www.jaypro.com



Jaypro
Sports Equipment

FAX: 860.444.1779 (SALES)
860.440.0628 (ENG.)

PHONE: 800.243.0533 (TOLL FREE)
860.447.3001 (LOCAL)

JAYPRO SPORTS, LLC, 976 HARTFORD TURNPIKE, WATERFORD, CT 06385 USA

DRAWING NAME / PART NUMBER: VEC-1	
DRAWN BY: Moune T.	ISSUE DATE: 7/14/2010
CHK'D BY: WVB	CHK'D BY: 2/10/2011
SHEET: 1 OF 1	REV. A

COPYRIGHT 2006
JAYPRO SPORTS, LLC.
ALL RIGHTS RESERVED

THIS PRINT IS THE PROPERTY OF JAYPRO SPORTS, LLC.
AND MAY NOT BE REPRODUCED WITHOUT WRITTEN PERMISSION