

THESE ARE MINIMUM DIMENSIONS
SUGGESTED FOR AVERAGE SOIL
CONDITIONS

Jaypro Sports

976 Hartford Turnpike
Waterford, CT 06385 USA
(800)243-0533
(800)988-3363 Fax
www.jaypro.com

MODEL NO.:
OS-350

PRODUCT NAME:
OUTDOOR COMBINATION
GAME STANDARDS

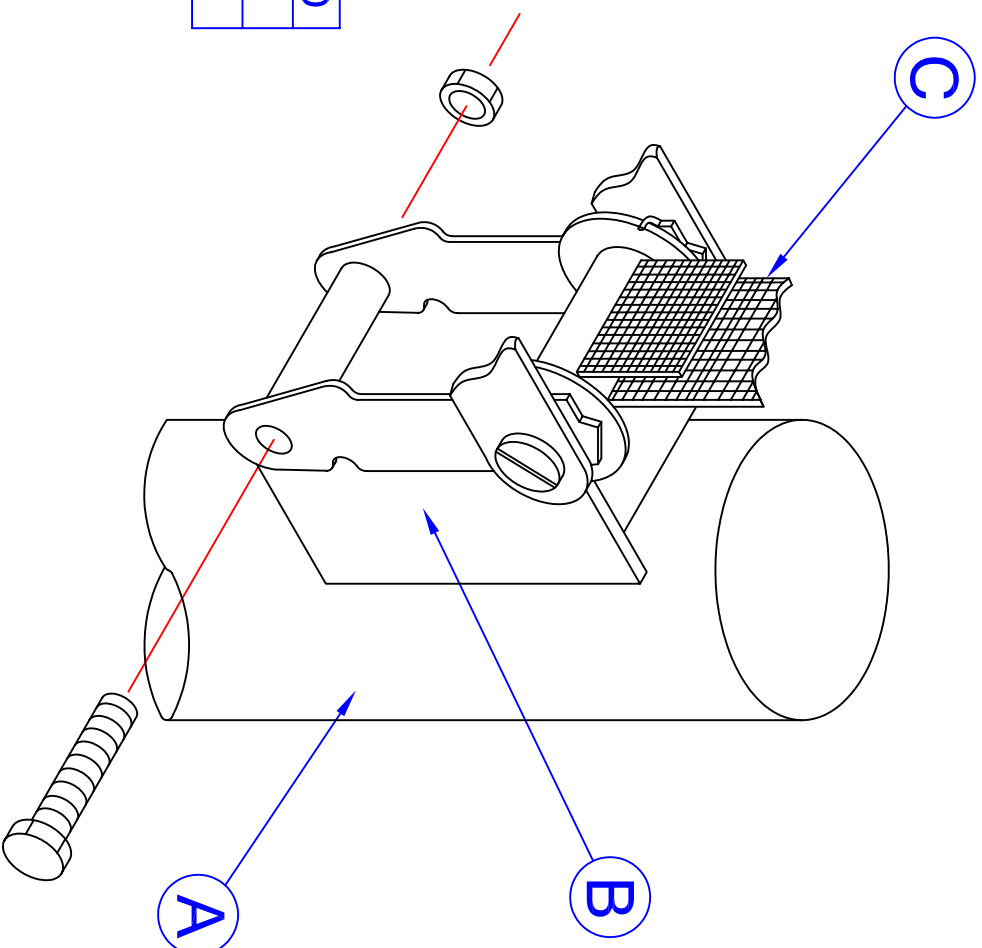
DRAWN BY: JAC
EFFECTIVE DATE:
5-2-03

NOTE:

**HEX HEAD SCREW
LOCKS UNDER PIN
ON MOUNTING
BRACKET.**

LARGE BUCKLE

A	VOLLEYBALL STANDARD
B	BUCKLE
C	LEADER STRAP



BUCKLE ASSEMBLY INSTRUCTIONS

**REMOVE NUT AND BOLT ASSEMBLY
FROM BUCKLE (B). SLIDE BUCKLE
UNDER TAB ON MOUNTING BRACKET
(A). POSITION BUCKLE, INSERT
BOLT AND REPLACE NUT.
TIGHTEN SECURELY.**

Jaypro Sports

976 Hartford Turnpike
Waterford, CT 06385 USA
(800)243-0533
(800)988-3363 Fax
www.jaypro.com

MODEL NO.:

**PRODUCT NAME:
BUCKLE ASSEMBLY**

DRAWN BY: JAC

**EFFECTIVE DATE:
3-31-03**

JAYPRO SPORTS
OUTDOOR COMBINATION GAME STANDARD, OS-350
LIST OF MATERIALS

<u>PIECE NO.</u>	<u>PART NO.</u>	<u>DESCRIPTION</u>	<u>QTY.</u>
1	OS351	Upright	2
2	HN263	Wing Nut 5/16"-18	4
3	AF65	Top Cap	2
4	HB201	Eyebolt 5/16"-18 X 4"	4
5	HS1243	Hex Head Bolt 3/8"-16 X 3 1/4"	1
6	HN265	Locknut 3/8"-16	1
7	AS-302RP	Winch With Collar	1
8	HS278	Hex Head Bolt 1/4"-20 X 1 1/4"	1
9	AF737	Pulley	1
10	HM225	Pulley Hanger	1
11	HN256	Locknut 1/4"-20	1
12	AF1507a	3-Piece Top Cap	2
13	GSA2375	Ground Sleeve	2
14	RP1223	Plastic Bottom Cap	2
15	OS24	Winch Strap	1

TOOLS REQUIRED: 1/2" Box Wrench
9/16" Box Wrench (2) Or,
Adjustable Wrench (2)

IMPORTANT NOTE

This unit is designed for practice use only. Any attempt to gain competition net height through excessive tension may damage the equipment. Read all instructions carefully before using this unit.

Set ground sleeves at dimensions referenced below:

- Volleyball- 35'-5" Center-To-Center
- Badminton- 23'-5" Center-To-Center
- Tennis- 42'-5" Center-To-Center

OS-350G GROUND SLEEVE INSTALLATION

- 1) Dig square hole 30" deep by 18" wide.
- 2) Pour concrete.(see following cement mixture)
- 3) Insert sleeve 24" deep. (length of sleeve)
- 4) Recess sleeve by 1/4" so top cap is flush with playing surface.
- 5) Be sure sleeve is plumb.
- 6) Let cure for minimum of 72 hours.