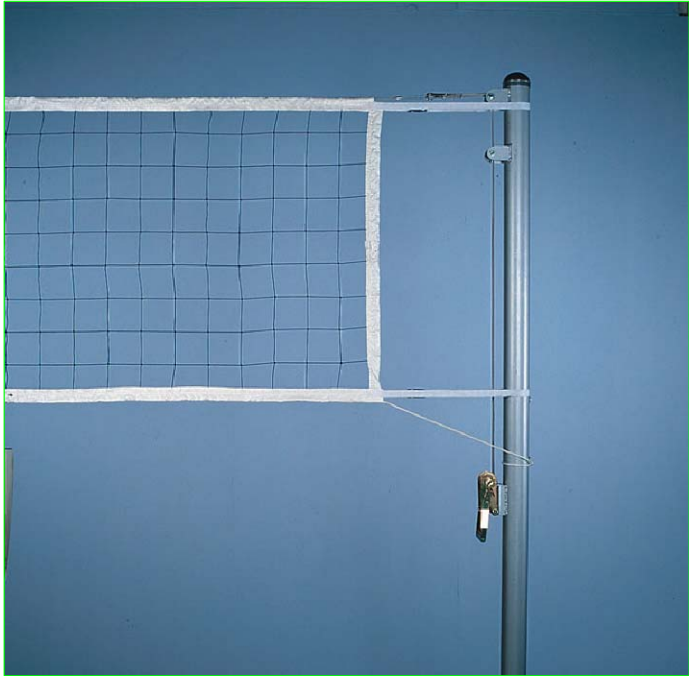
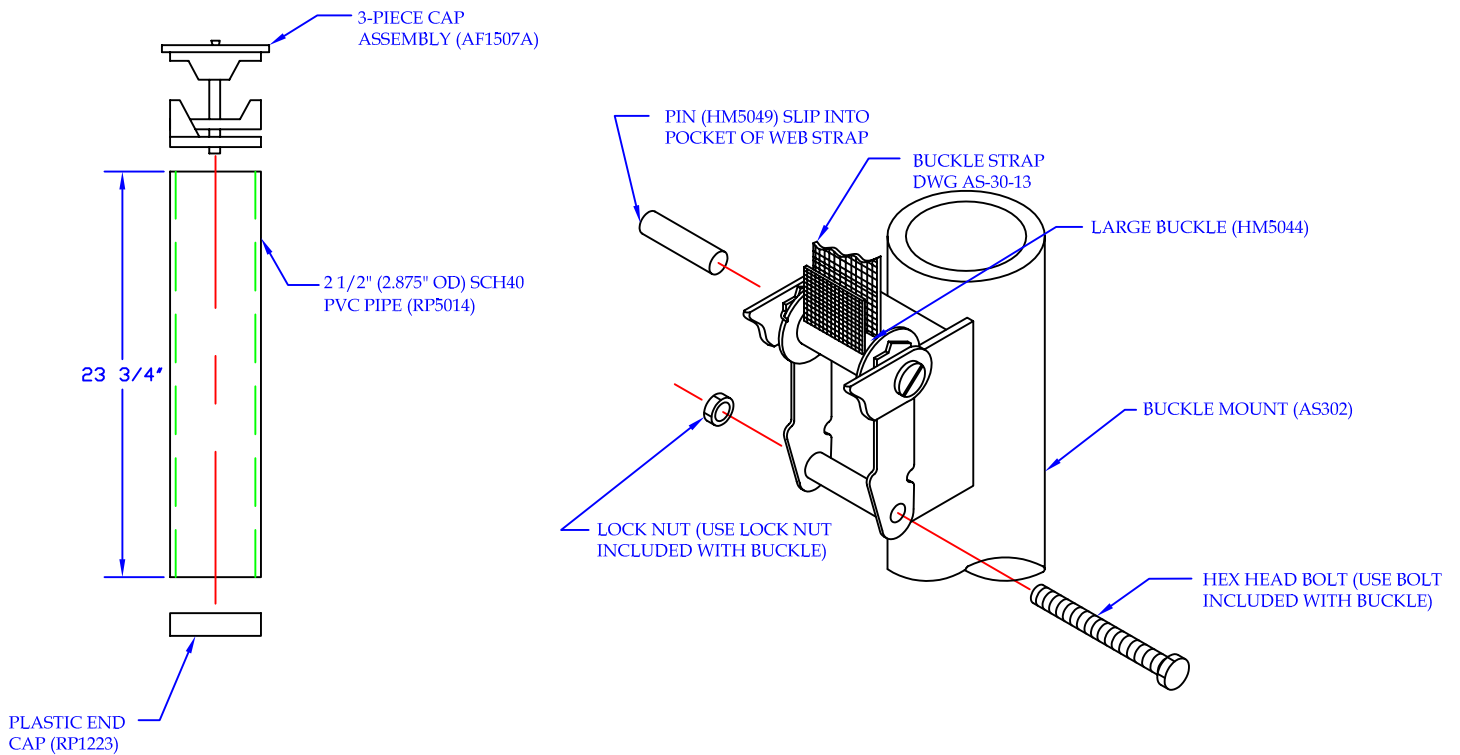


# OS-350 Outdoor Volleyball



Ideal system for recreational outdoor volleyball. 2- $\frac{3}{8}$ " O.D. galvanized steel standards include rust resistant ratchet system to tension the net. System includes 1 pair of uprights, 1 pair of PVC ground sleeves (OS-350) with 3-piece locking aluminum top caps for semi-permanent installation. This is not designed for sand court. All hardware included. Nets available seperately.



REV.	DESCRIPTION	DATE	BY

COPYRIGHT 2003  
JAYPRO SPORTS, LLC.  
ALL RIGHTS RESERVED

**OS-350  
Outdoor Volleyball**

THIS PRINT IS THE PROPERTY OF JAYPRO SPORTS, LLC.  
AND MAY NOT BE REPRODUCED WITHOUT WRITTEN PERMISSION

www.jaypro.com  
976 HARTFORD TURNPIKE  
WATERFORD, CT 06385 USA

DRAWING NAME / PART NO.: OS-350sp.dwg	
DRAWN BY: BTS	CHK'D BY: CHK'D BY
ISSUE DATE: 3-29-05	
SHEET: 1 OF 1	REV. A