

IMPORTANT:

QUICK RELEASE PIN (ITEM# 7) MUST BE FULLY INSERTED THRU PLATFORM BRACKET TO SAFELY LOCK PLATFORM IN POSITION. CHECK THIS CONNECTION BEFORE EVERY USE.

CAUTION:

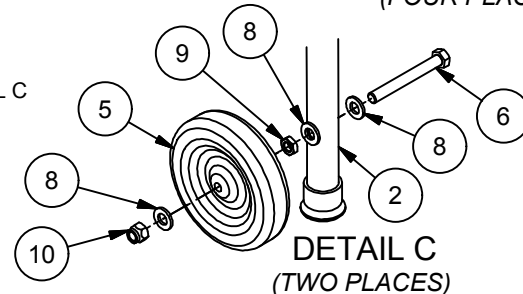
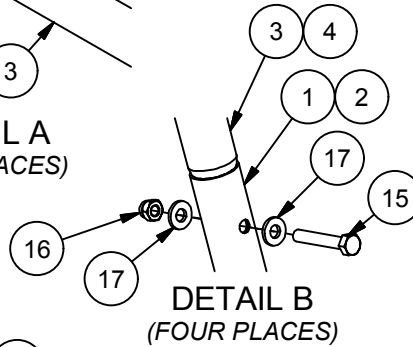
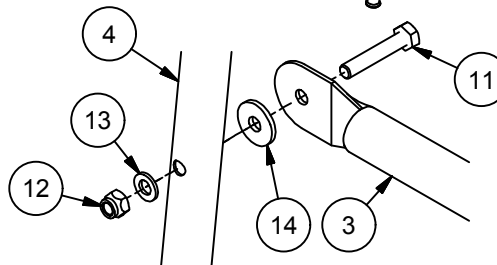
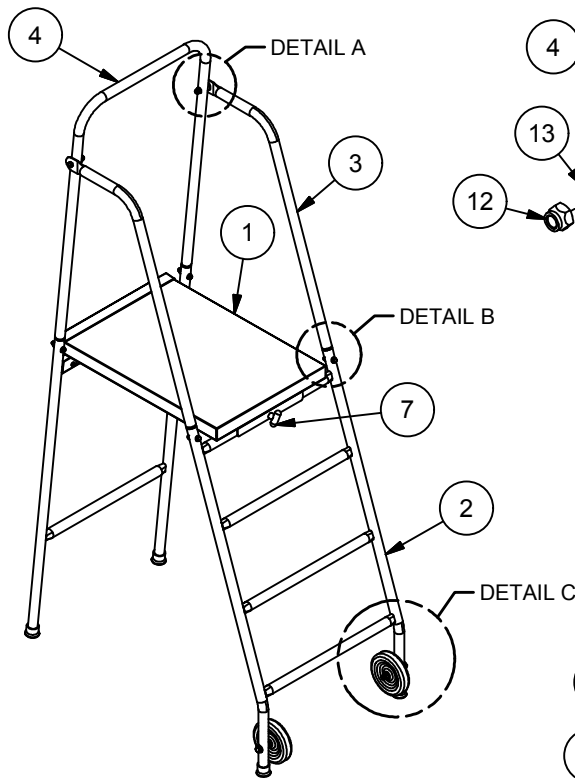
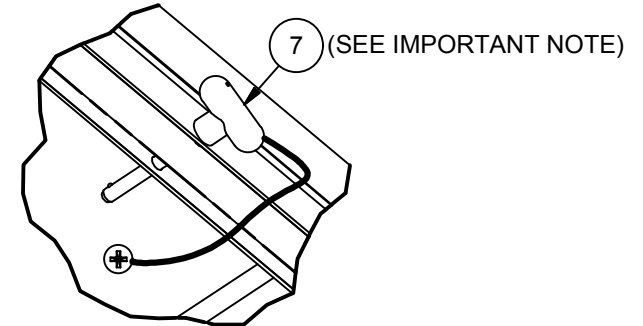
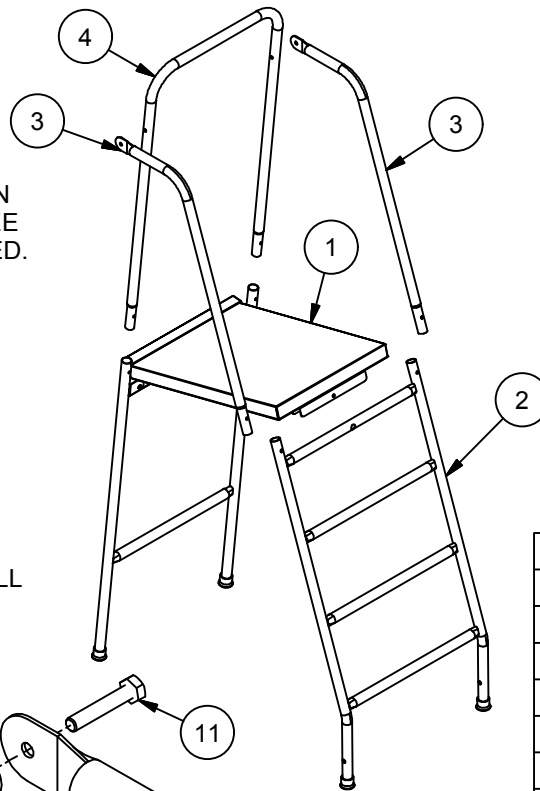
MAXIMUM ALLOWABLE LOAD IS 250 POUNDS. DO NOT LEAN ACROSS RAILINGS OR UNIT MAY TOPPLE OVER. A REFEREE STAND PAD (PART# VRS-60P) IS STRONGLY RECOMMENDED.

PLEASE NOTE:

1) FOR SAFE OPERATION AND CONTINUED HIGH PERFORMANCE FROM THIS EQUIPMENT, INSPECTION AND MAINTENANCE MUST BE PERFORMED BEFORE EACH USE.

2) USE OF THIS EQUIPMENT OTHER THAN INTEND, MAY BE HAZARDOUS.

3) ALTERATION OR MODIFICATION OF EQUIPMENT MAY BE HAZARDOUS, FOR REPAIR OR REPLACEMENT, PLEASE CALL YOUR DEALER.



Parts List		
ITEM	DESCRIPTION	QTY
1	REAR PLATFORM FRAME	1
2	FRONT LADDER FRAME	1
3	TOP UPRIGHT HANDLE	2
4	REAR HANDLE	1
5	6" BLACK WHEEL	2
6	M12 x 100mm LONG HEX BOLT	2
7	M10 x 75mm QUICK RELEASE PIN WITH LANYARD	1
8	M12 WASHER	6
9	M12 JAM NUT	2
10	M12 LOCK NUT	2
11	M10 x 55mm LONG HEX BOLT	2
12	M10 LOCK NUT	2
13	M10 WASHER	2
14	M10 FENDER WASHER	2
15	M8 x 45mm LONG HEX BOLT	4
16	M8 NYLON LOCK NUT	4
17	M8 WASHER	8



976 Hartford Turnpike
Waterford, CT 06385 USA
(800)243-0533 Fax: (800)988-3363
www.jaypro.com

MODEL NUMBER: VRS-6000
CHECKED BY: WVB

PRODUCT NAME:
FOLDING REFEREE STAND

DATE: 11/7/2013
REV: -
DRAWN BY: Moune T.
SHEET: 1 OF 1