



**--- VNK11, VNK22 & VNK33 ---
(SINGLE, DOUBLE & TRIPLE NET KEEPER)
Installation Instructions**



Call Jaypro Sports Equipment at 1-800-243-0533 during regular business hours for technical support.

www.jaypro.com

JAYPRO SPORTS

VNK11, VNK22 & VNK33 SINGLE, DOUBLE & TRIPLE NET KEEPER

IMPORTANT NOTICE:

- 1) BEFORE EACH USE CHECK EQUIPMENT FOR PROPER CONNECTING HARDWARE AND STRUCTURAL INTEGRITY. REPLACE DAMAGED OR MISSING HARDWARE IMMEDIATELY.
- 2) USE OF THIS EQUIPMENT OTHER THAN INTENDED, MAY BE HAZARDOUS.
- 3) ALTERATION OR MODIFICATION OF THIS EQUIPMENT MAY BE HAZARDOUS AND RESULT IN INJURY. FOR REPAIR OR REPLACEMENT, CONTACT YOUR DEALER OR JAYPRO SPORTS.

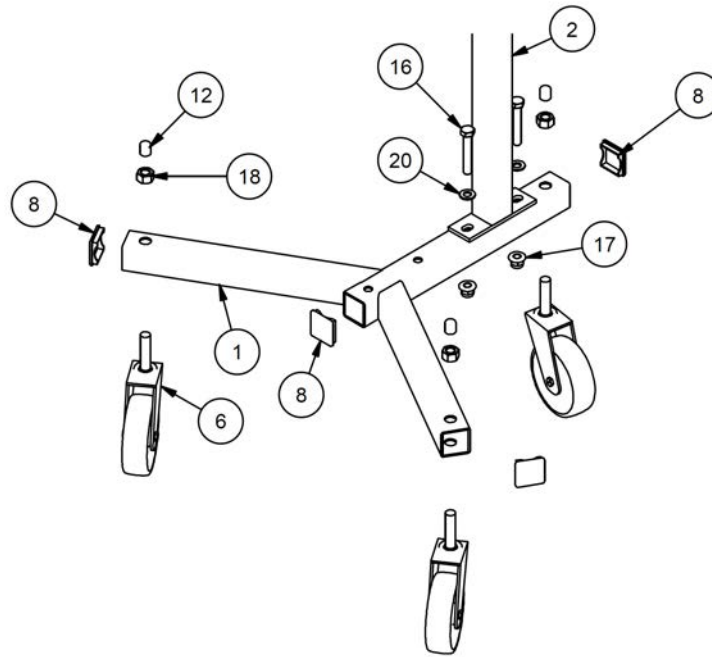
ASSEMBLY INSTRUCTIONS

TOOLS REQUIRED:

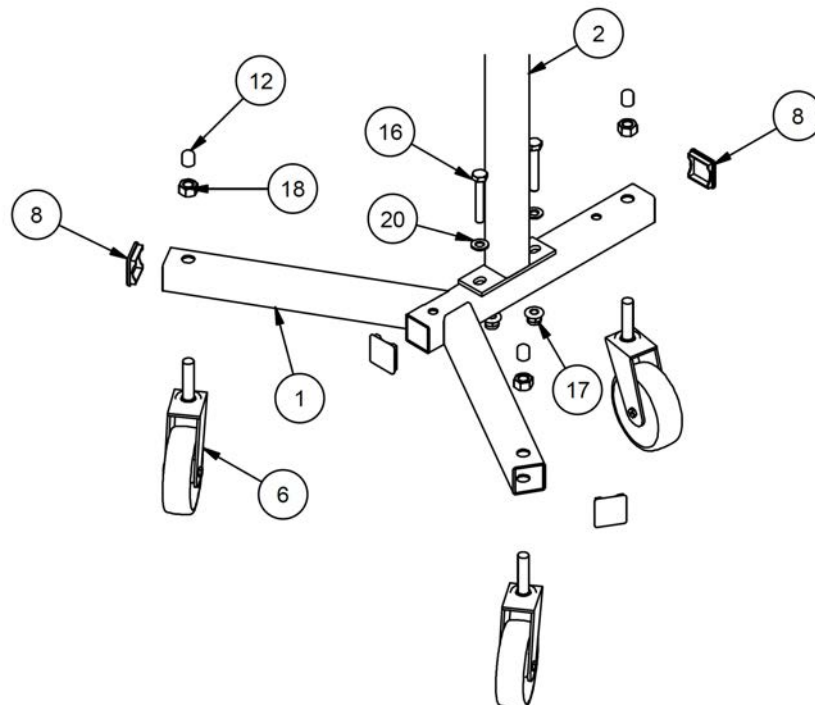
- (1) Socket Wrench and or Box Wrench
 - (1) Allen Wrench
 - (1) Rubber Mallet
- Unpack all parts and check against parts list to ensure that all have been included.
 - Inspect all parts for damage. Report any damages to the trucking company.

ITEM	DESCRIPTION	VNK11	VNK22	VNK33
1	BOTTOM FRAME	1	1	1
2	KNOCK DOWN TOWER FRAME	1	1	1
3	SINGLE, DOUBLE OR TRIPLE TOP FRAME	1	1	1
4	WINDER FRAME	1	2	3
5	HANDLE FRAME	1	2	3
6	SWIVEL MOUNT CASTER	3	3	3
7	M5 - 24 mm SPRING PIN	1	2	3
8	38 mm x 38 mm CAP	4	4	4
9	19 mm x 38 mm CAP	2	4	4
10	SOFT VINYL CAP - SMALL	3	6	9
11	SOFT VINYL CAP - LARGE	1	2	3
12	SOFT VINYL CAP - MEDIUM	3	3	3
13	M6 x 1 - 10 mm KNURLED CUP SET SCREW, ZP	1	2	3
14	M8 x 1.25 SOCKET PAN HD SCREW, ZP	1	1	1
15	M10 x 1.5 HX HD CAP SCREW, ZP (SHORT)	2	2	2
16	M10 x 1.5 HX HD CAP SCREW, ZP (LONG)	2	2	2
17	M10 x 1.5 NYLON FLANGE LOCK NUT, ZP	4	4	4
18	M14 x 1 NYLON FLANGE LOCK NUT, ZP	4	5	6
19	M8 x 1.25 NYLON FLANGE LOCK NUT, ZP	1	1	1
20	M10 FLAT WASHER, ZP	4	4	4
21	M14 STEEL WASHER, ZP	1	2	3
22	M14 NYLON WASHER	2	4	6
23	M8 FLAT WASHER, ZP	1	1	1
		QTY		

ASSEMBLE BASE:

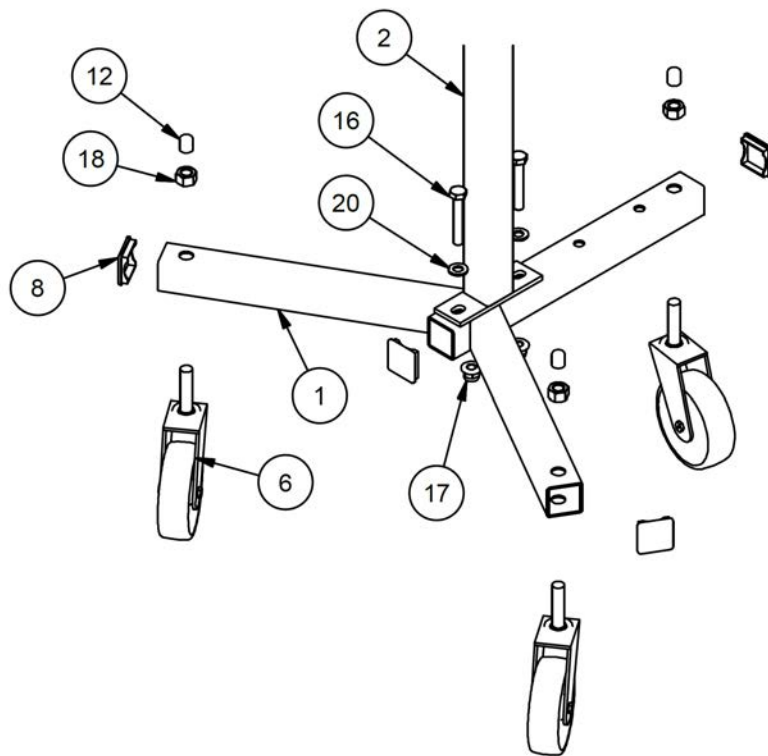


VNK11 SINGLE NET KEEPER
(SHOWN ABOVE)

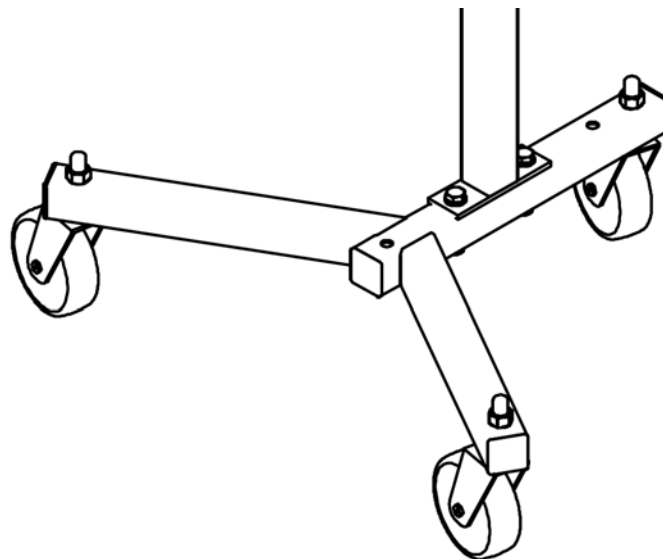


VNK DOUBLE NET KEEPER
(SHOWN ABOVE)

ASSEMBLE BASE: CONTINUE

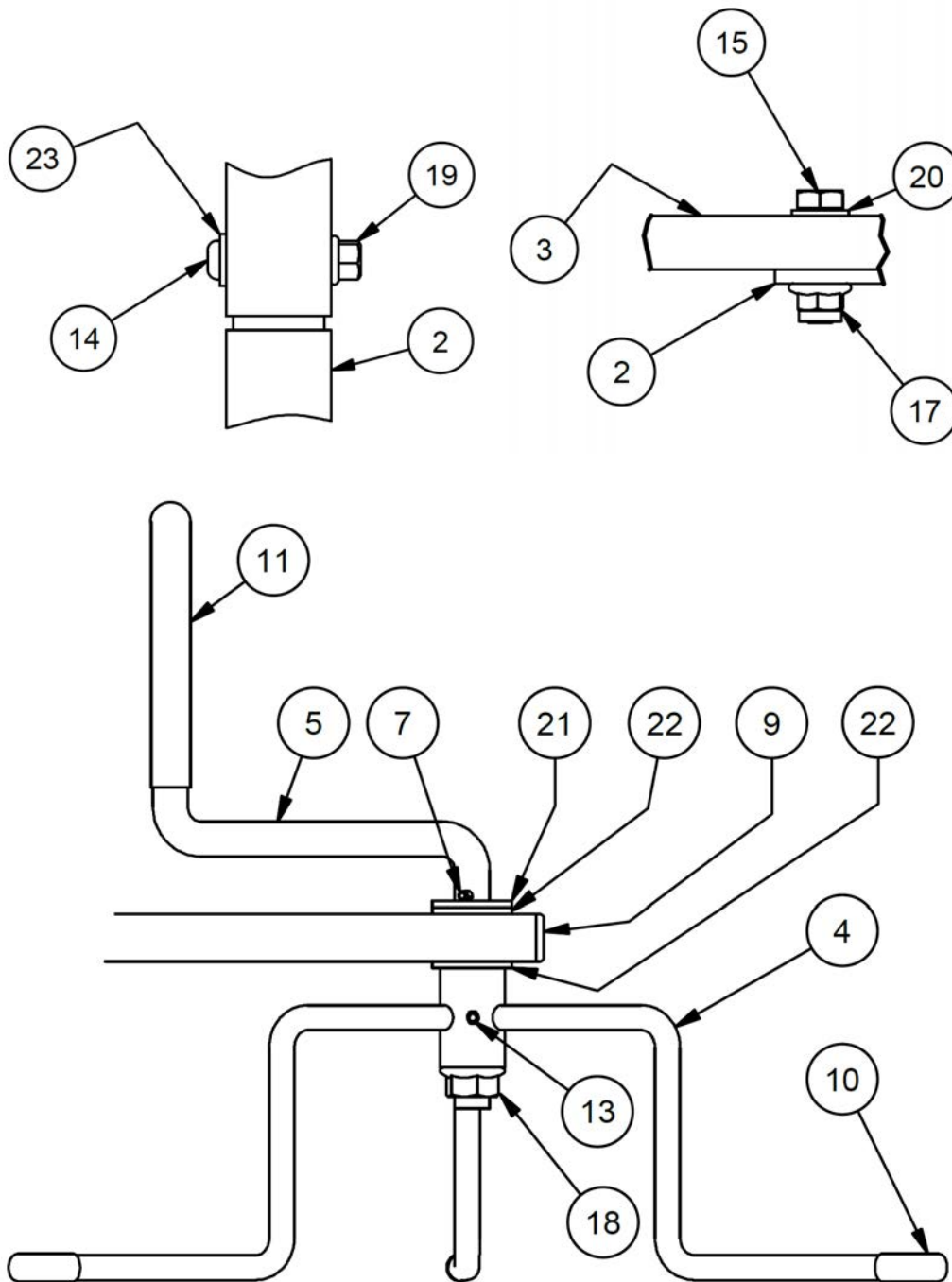


VNK33 TRIPLE NET KEEPER
(SHOWN ABOVE)

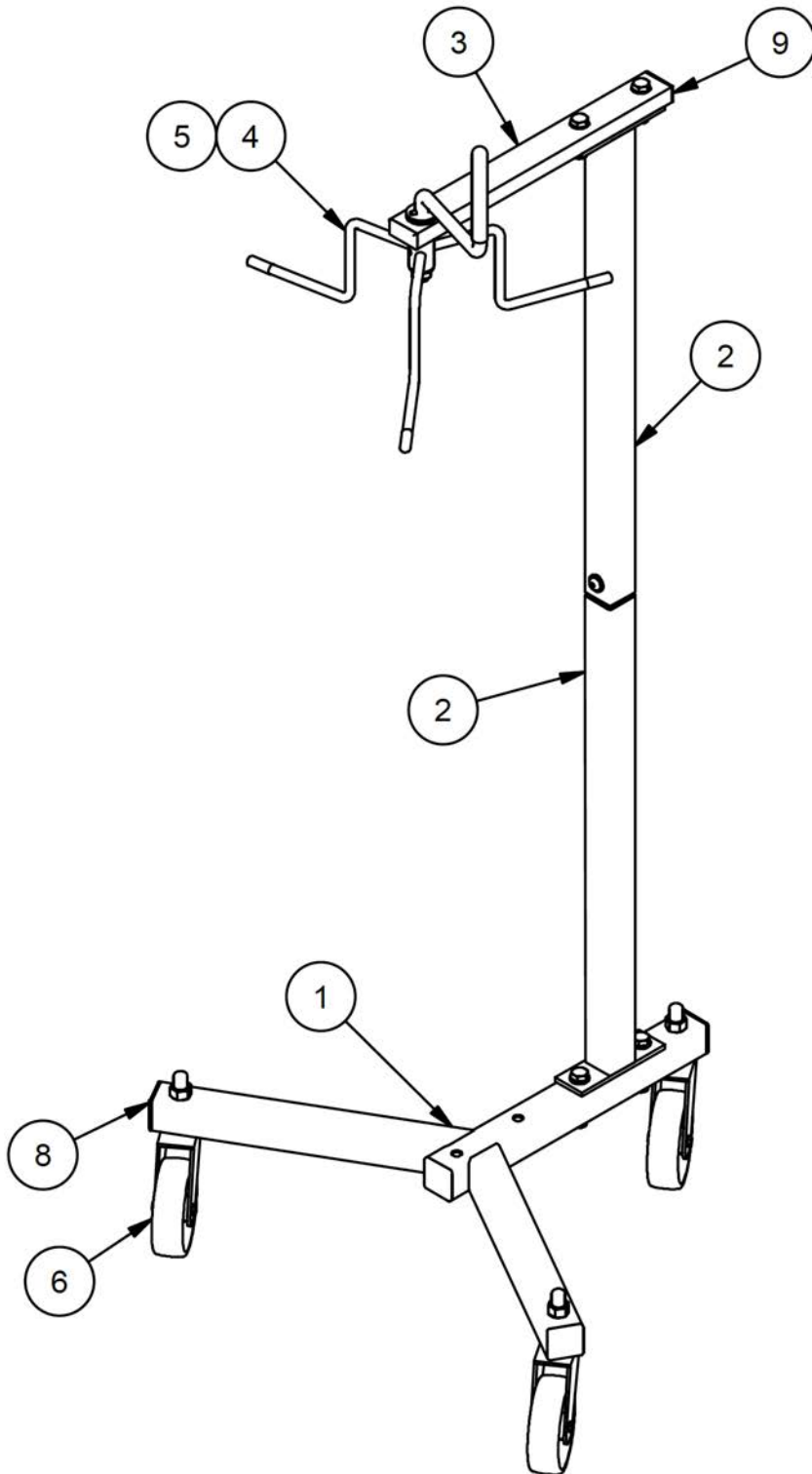


LOCATION OF ITEM # 2 WILL DETERMINE THE STYLE
(VNK22 SHOWN ABOVE)

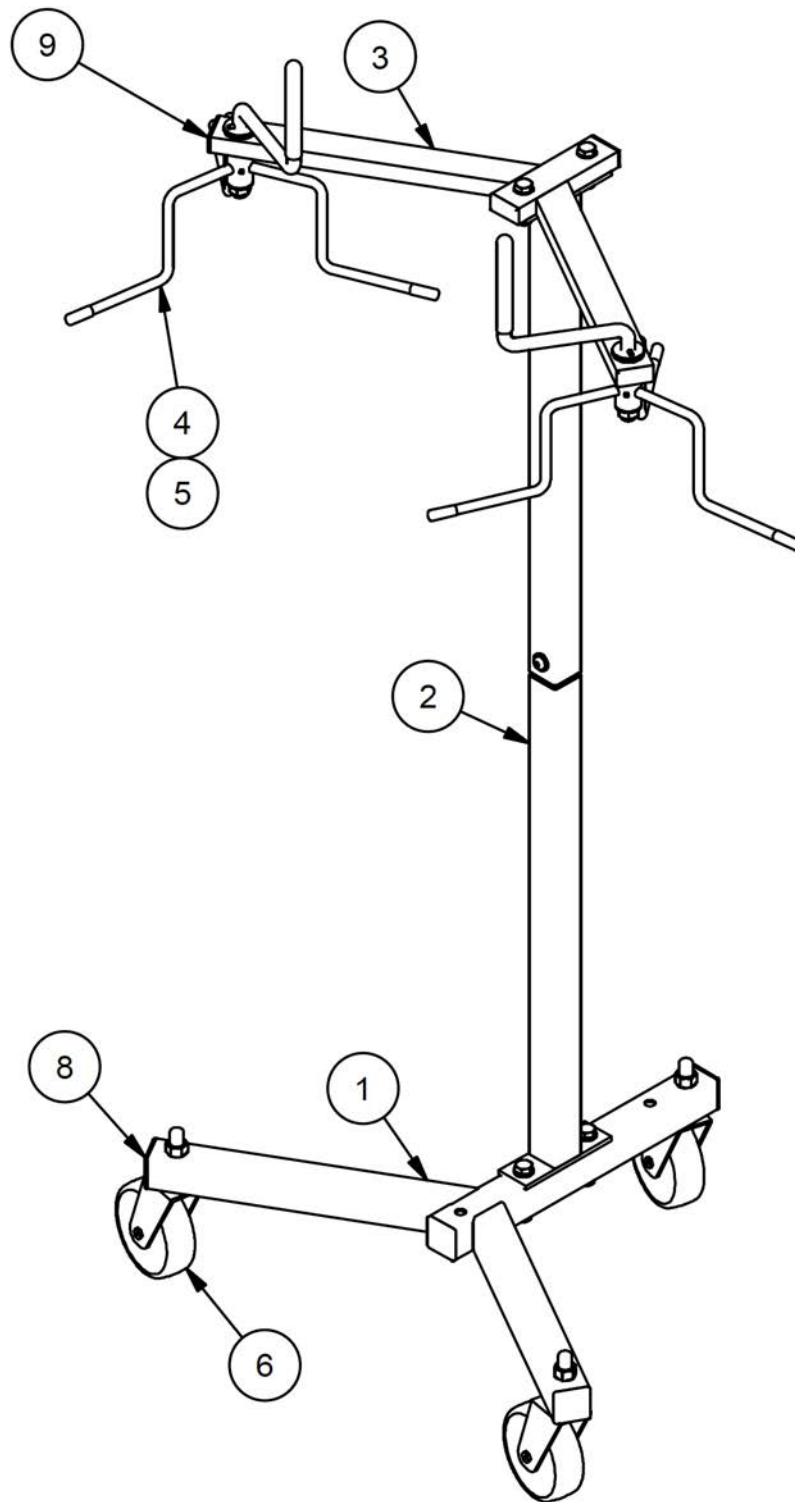
ASSEMBLE K-FRAME & HANDLE:



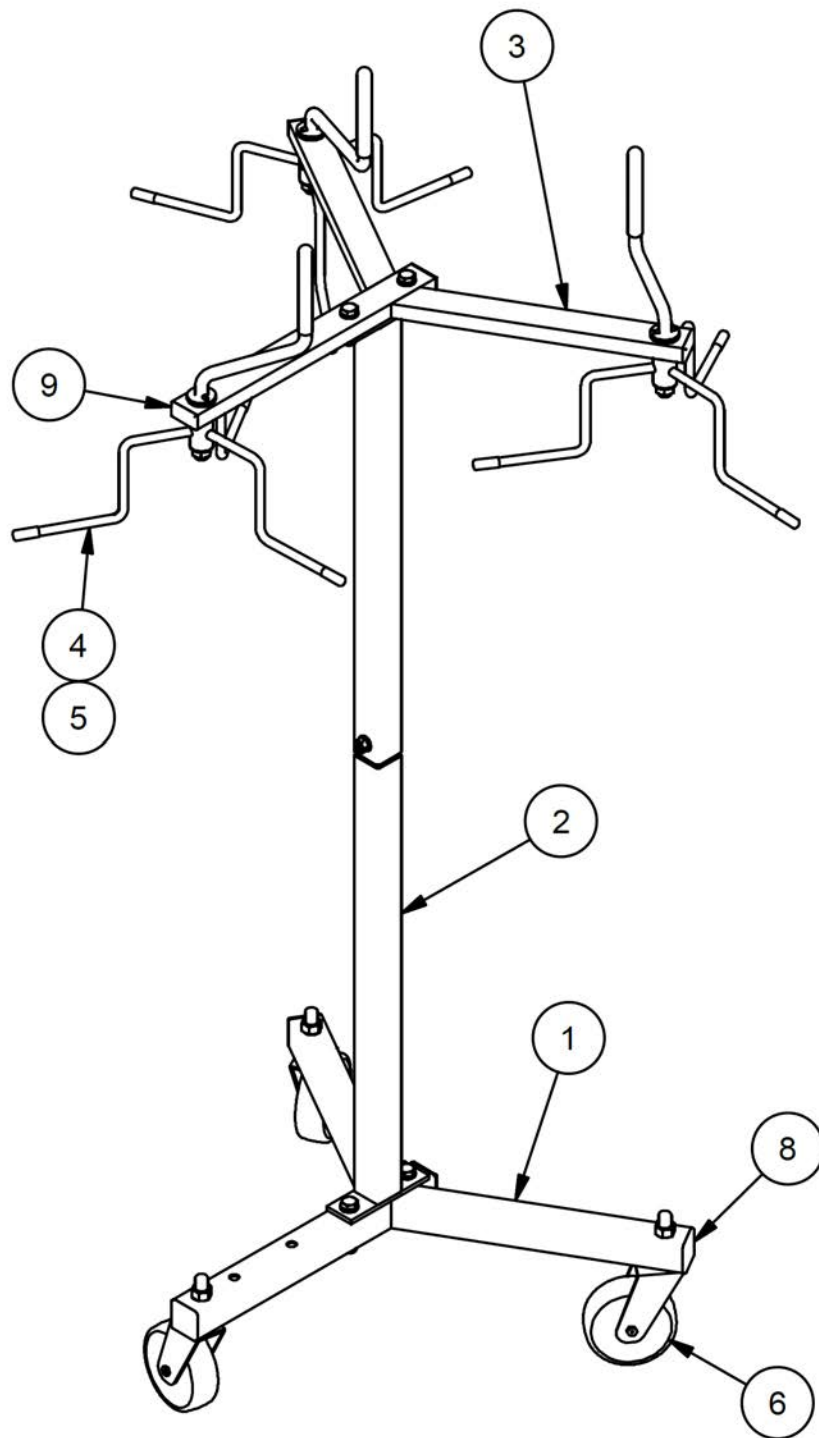
1. Note item # 3 will depend on how many net keeper there is.
2. Repeat for each handle of the net winder.



VNK11 SINGLE NET KEEPER
(SHOWN ABOVE)



VNK DOUBLE NET KEEPER
(SHOWN ABOVE)



VNK33 TRIPLE NET KEEPER
(SHOWN ABOVE)