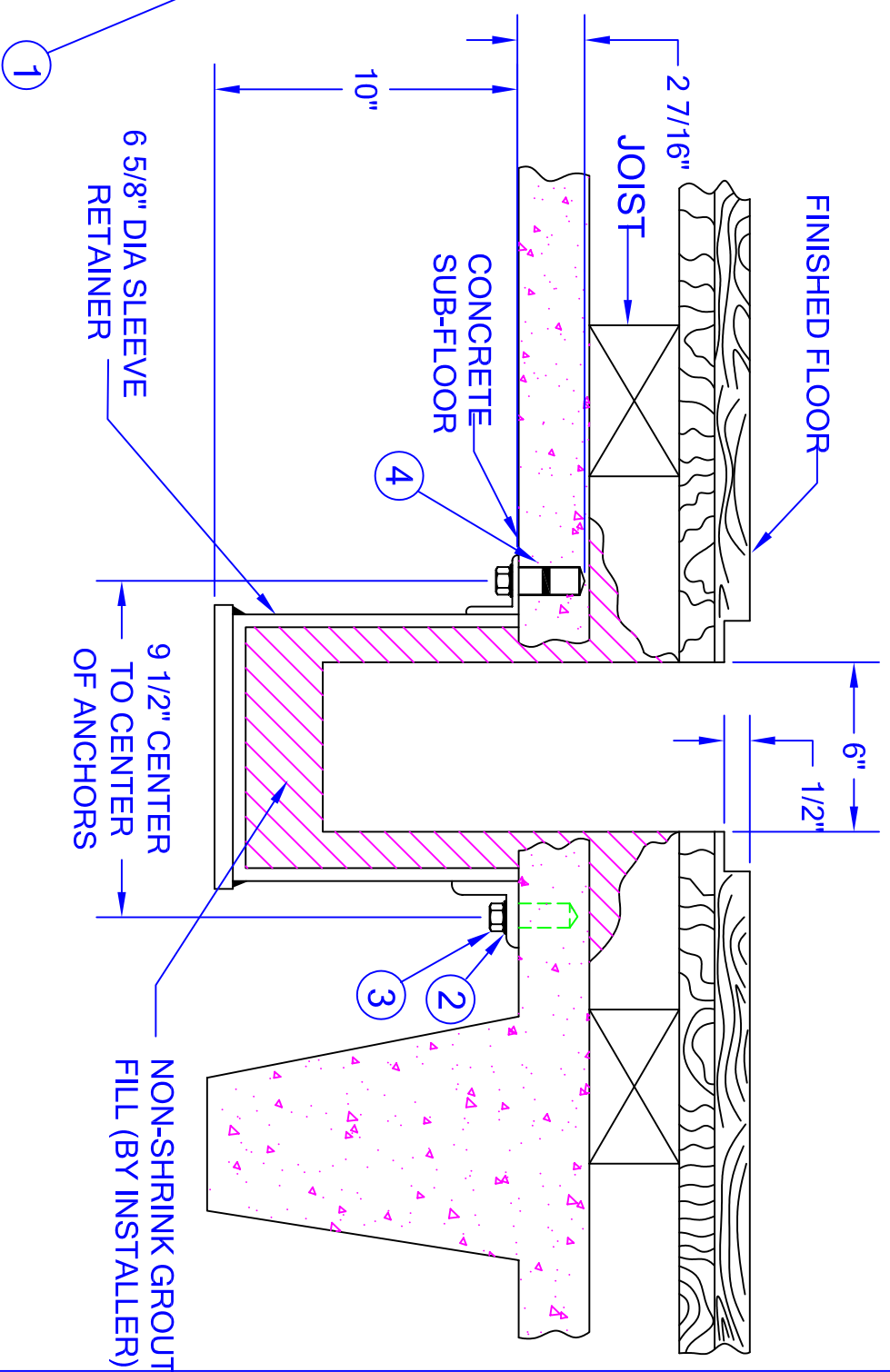


9/16" DIA.  
8 PLACES

10" FROM FINISHED FLOOR TO  
INSIDE BOTTOM OF SLEEVE

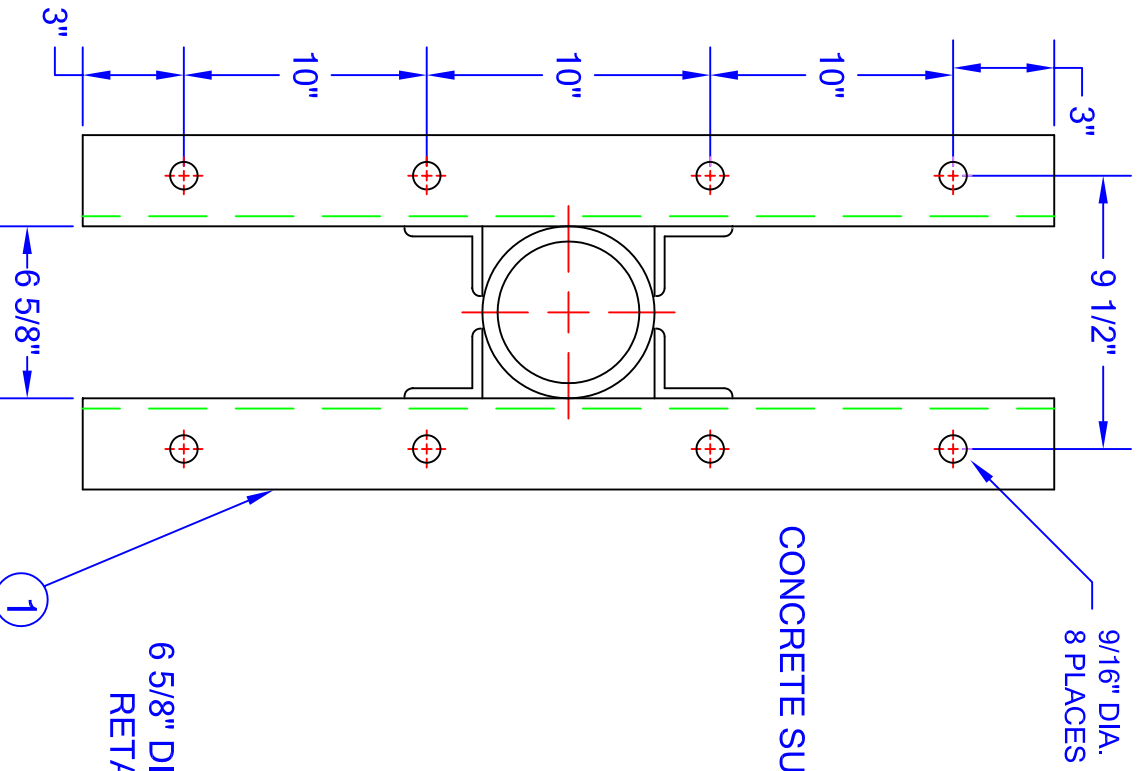
SEE SEPARATE FLOOR  
SLEEVE INSTALLATION  
DIAGRAMS FOR COMPLETE  
SLEEVE INSTALLATION DETAILS



ATTACH TO SUB FLOOR PER SPACING SHOWN  
ABOVE (8) PLACES

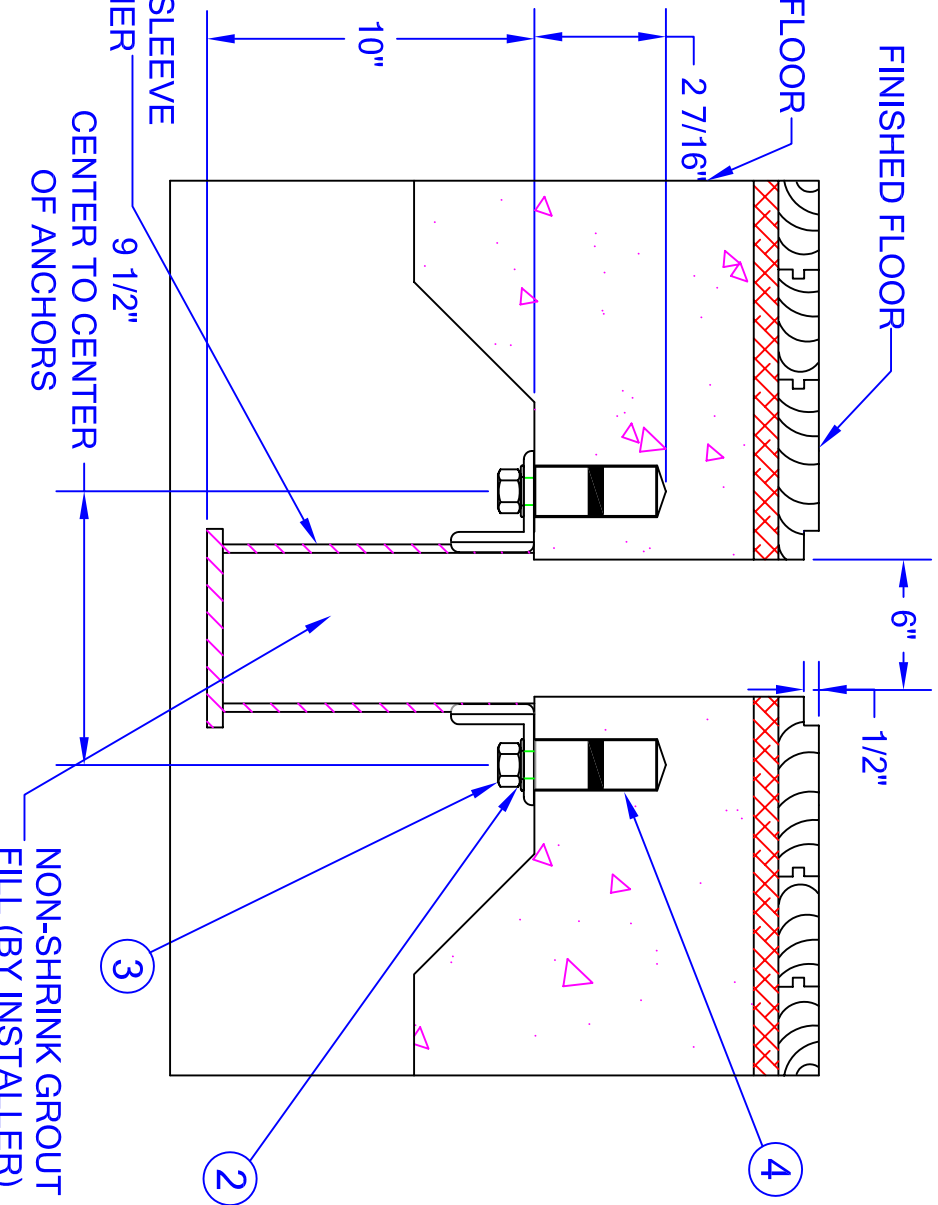
**1 PER UNIT**

<p><b>Jaypro Sports</b> 976 Hartford Turnpike Waterford, CT 06385 USA (800)243-0533 (800)988-3363 Fax www.jaypro.com</p>		<p>MODEL NO.: <b>SB-10</b></p>	
<p>PRODUCT NAME: SECOND FLOOR SLEEVE BUCKET</p>		<p>DRAWN BY: JAC</p>	
<p>EFFECTIVE DATE: 4-29-03</p>		<p>NON-SHRINK GROUT FILL (BY INSTALLER)</p>	



10" FROM FINISHED FLOOR TO INSIDE BOTTOM OF SLEEVE

SEE SEPARATE FLOOR SLEEVE INSTALLATION DIAGRAMS FOR COMPLETE SLEEVE INSTALLATION DETAILS



ATTACH TO SUB FLOOR PER SPACING SHOWN ABOVE (8) PLACES

**1 PER UNIT**

<p><b>Jaypro Sports</b>          976 Hartford Turnpike          Waterford, CT 06385 USA          (800)243-0533          (800)988-3363 Fax          www.jaypro.com</p>		<p>MODEL NO.:  <b>SB-10</b></p>	
<p>PRODUCT NAME:          SECOND FLOOR SLEEVE BUCKET</p>		<p>DRAWN BY: JAC</p>	
<p>EFFECTIVE DATE:          4-29-03</p>		<p>NON-SHRINK GROUT FILL (BY INSTALLER)</p>	

**JAYPRO SPORTS**  
SECOND FLOOR SLEEVE BUCKET, SB-10  
LIST OF MATERIALS

<u>PIECE NO.</u>	<u>PART NO.</u>	<u>DESCRIPTION</u>	<u>QTY.</u>
1	SB101	SLEEVE BUCKET SINGLE ASSEMBLY	1
2	HW2044	½" FLAT WASHER	8
3	HS2726	½"-13 x 2 ½" HEX HEAD SCREW	8
4	HM2711	7035 STAR EXPANSION SHIELD	8