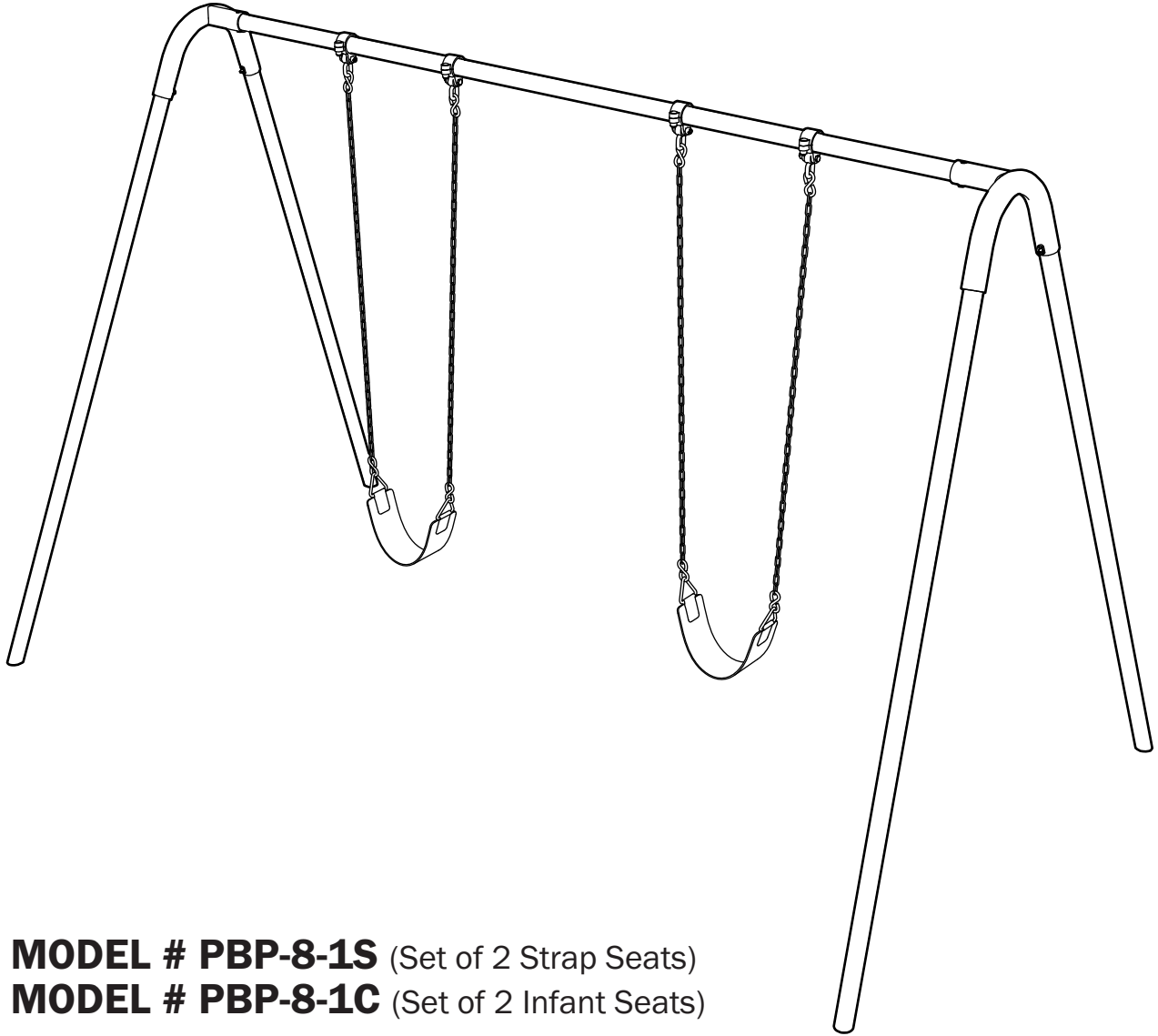


# UPLAY TODAY™

PLAY SYSTEMS

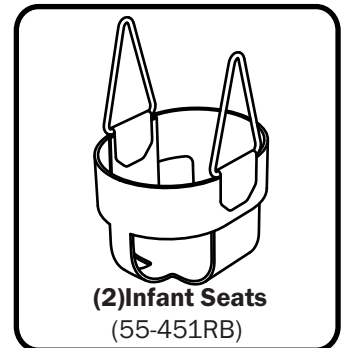


**MODEL # PBP-8-1S** (Set of 2 Strap Seats)

**MODEL # PBP-8-1C** (Set of 2 Infant Seats)

## Single Bay Swings

**ASSEMBLY INSTRUCTIONS**



**(2) Infant Seats**  
(55-451RB)

# SPECIFICATIONS

## SPECIFICATIONS:

---

**Yokes:** Welded from 2-7/8" O.D. galvanized tubing with a baked on powder coated paint finish.

**Swing beams:** 2-3/8" O.D. galvanized tubing.

**Legs:** 2-3/8" O.D. galvanized tubing.

**Hardware:** Stainless steel or zinc plated.

**Weight:** 222 lb.

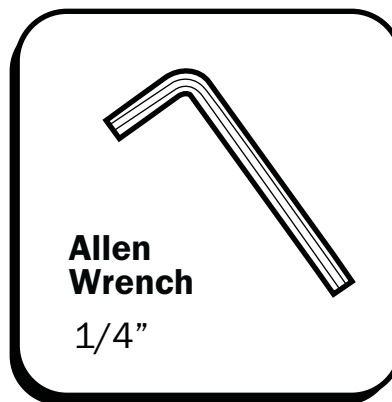
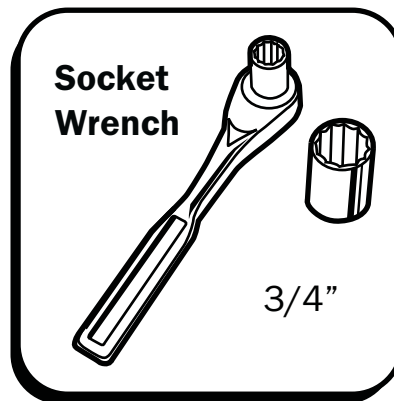
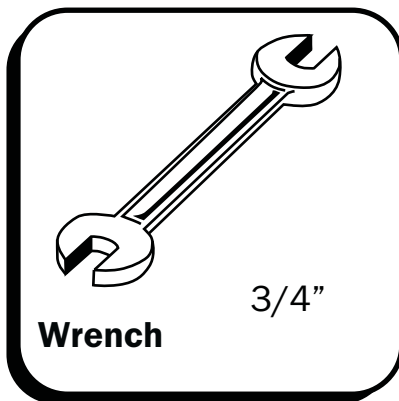
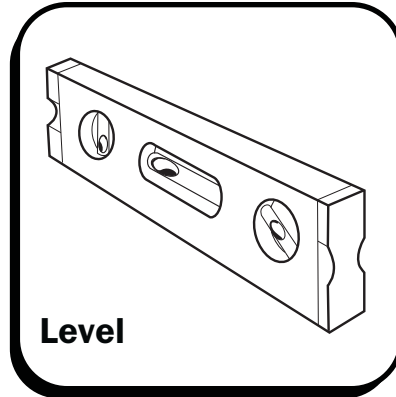
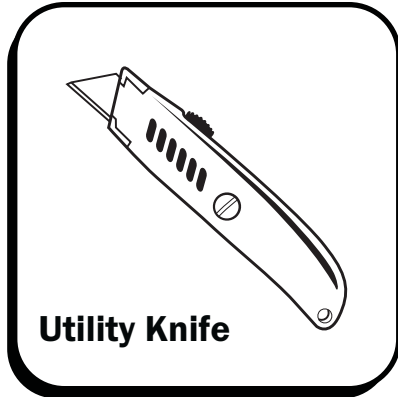
## MAINTENANCE PROCEEDURE

---

Periodically check for tightness and tighten as necessary. Always check all metal parts for corrosion, paint peeling and touch up if necessary. Check all Tot Seats for cracks, breakage or wear and immediately put equipment out of service until any faulty parts found are repaired or replaced.

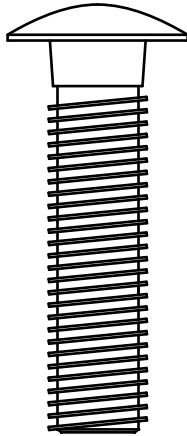
Check "S" hooks at both ends and all connections points for wear. Check all moving parts, such as bushings and hangers for wear. Check "S" Hooks specified by ASTM F 1487 Section 6.3 for entanglement. Check periodically resilient surfacing for appropriate depth and remove extraneous materials that could cause injury, infection or disease. Maintain detailed installation, inspection, maintenance and repair records for public-use playground equipment.

## TOOLS REQUIRED

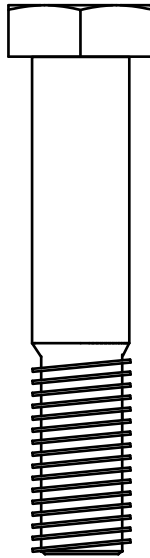


# HARDWARE REFERENCE (Actual Size)

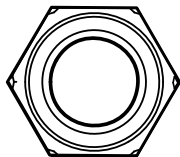
**3/8" x 2" Carriage Bolt  
(33-06-0003)**



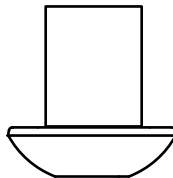
**3/8" x 2-1/2" Hex Bolt  
(33-05-0031)**



**3/8" Lock Nut  
(33-01-0002)**



**3/8" Barrel Nut  
(33-01-0013)**

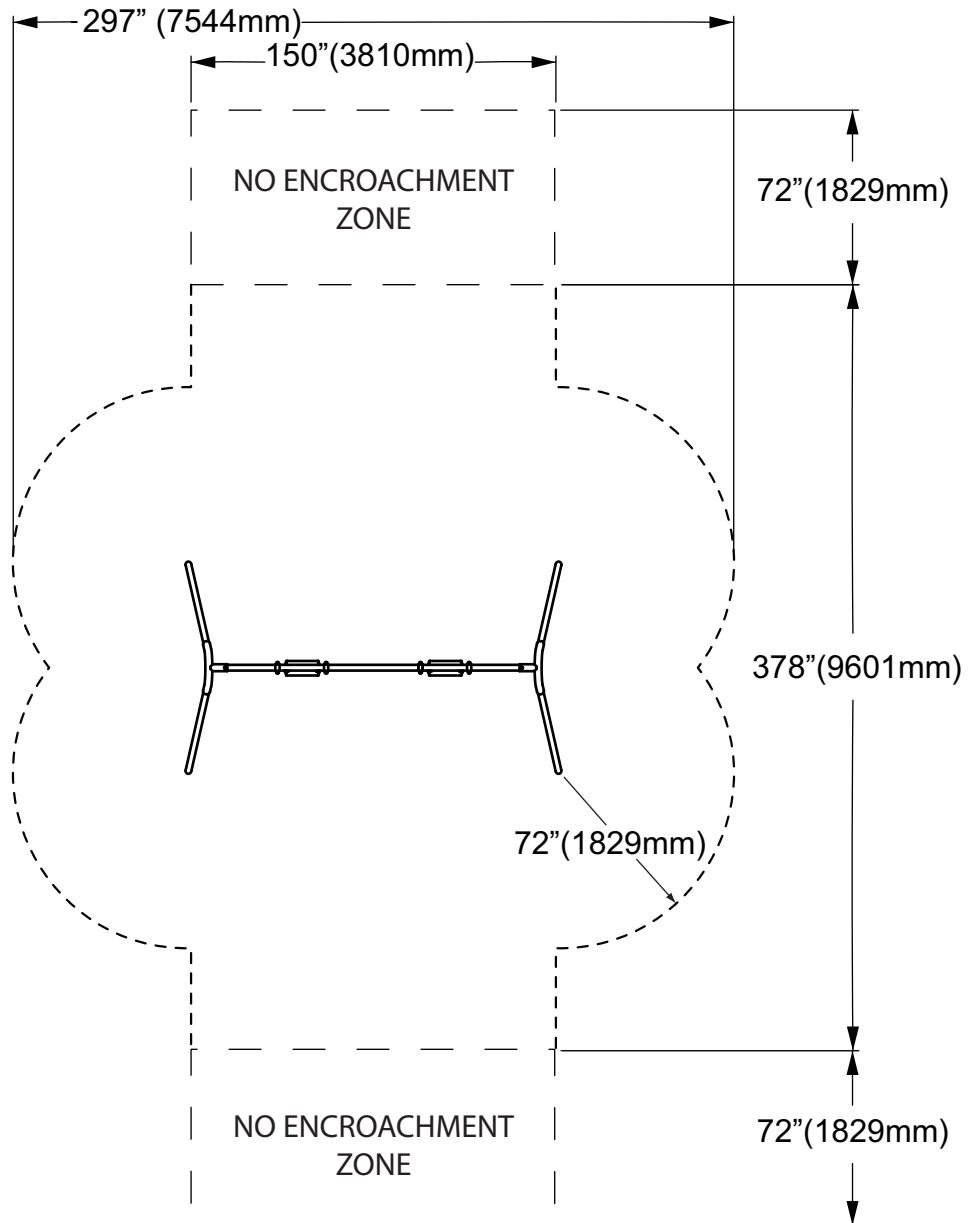


**1/2" x 3/4" Long Allen Head  
Set Screw  
(33-05-0009)**



# USE ZONE

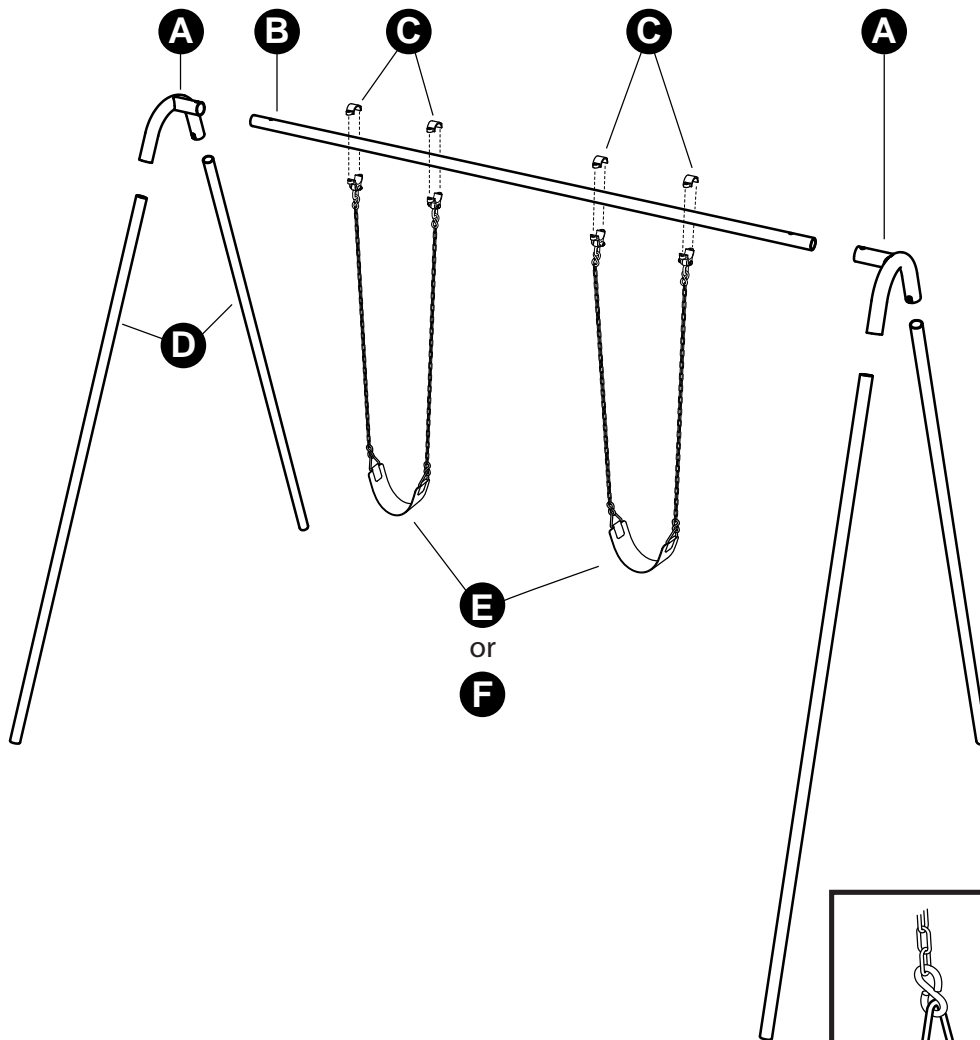
## TOP VIEW



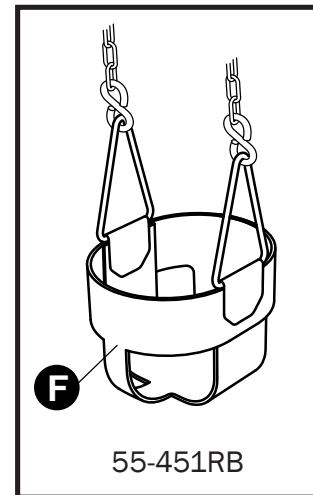
## MINIMUM USE ZONE REQUIRED

**IMPORTANT:** Never install play equipment over hard, unresilient surfaces such as asphalt, concrete or compacted earth. It is the owner's responsibility to ensure the "minimum area required" contains an appropriate amount of resilient material to cushion accidental falls.

# COMPONENTS



Item	Description	Quantity
A	End Connector	2
B	8' Top Rail	1
C	Swing Hangers	4
D	Swing Legs	4
E	Swing Seat w/Chain Package	2
F	Infant Seat w/Chain Package (optional)	2



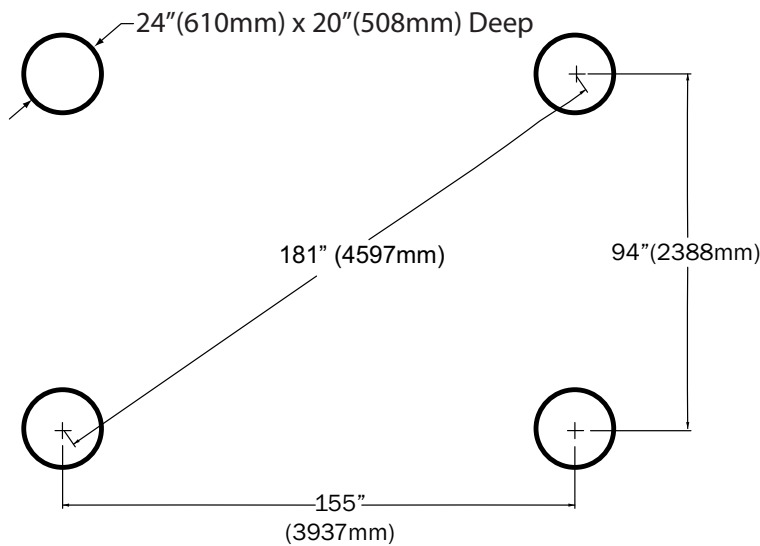
# STEP 1 - DIG FOOTER HOLES



Placement for  
24" Diameter x 20" Deep Holes  
for Single Bay Swings ( PBP-8-1S[C] )

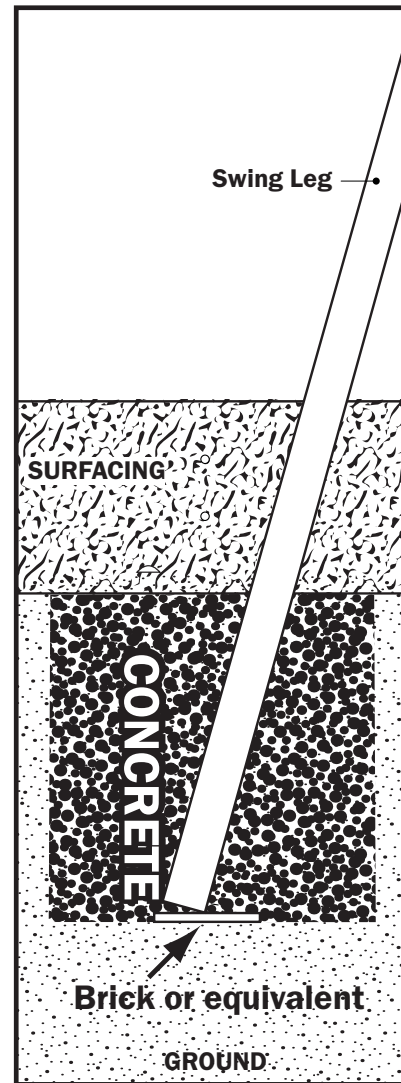
**Concrete Required :**

Approximately .75 Cubic Yards (.6 Cubic Meters)



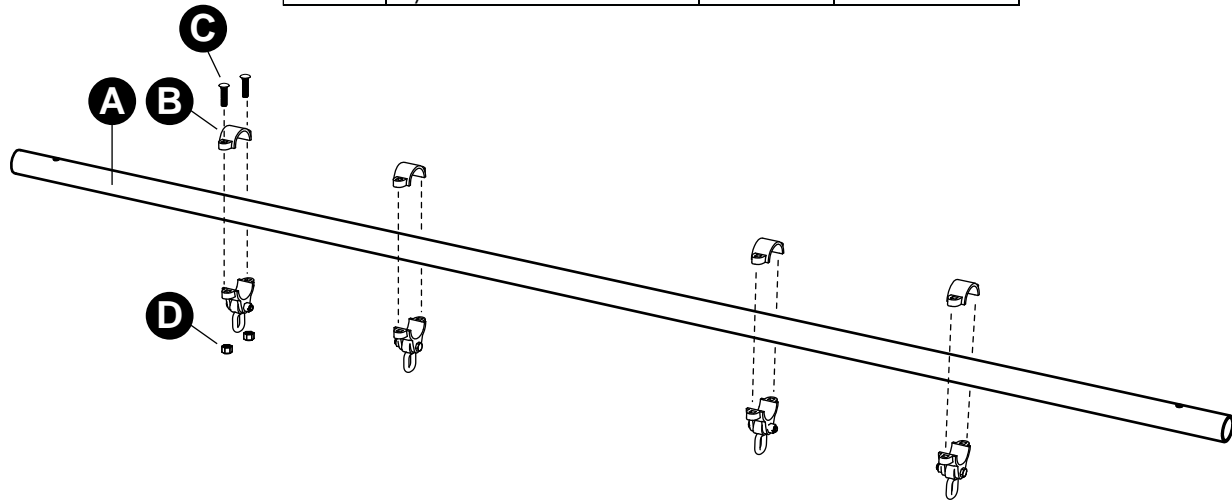
 **Place brick or equivalent in the bottom of all footings to prevent Legs from sinking into the ground.**

**IMPORTANT:** Never install play equipment over hard, unresilient surfaces such as asphalt, concrete or compacted earth. It is the owner's responsibility to ensure the "minimum area required" contains an appropriate amount of resilient material to cushion accidental falls.



## STEP 2 - INSTALL SWING HANGERS ONTO TOP RAIL

Parts List			
Letter	Description	Quantity	Part Number
A	Top Rail	1	02-05-0005
B	Swing Hanger	4	55-SH-09
	<b>Hardware Complete</b>	1	33-13-0020
C	3/8" x 2" Carriage Bolt	8	33-06-0003
D	3/8" Lock Nut	8	33-03-0001



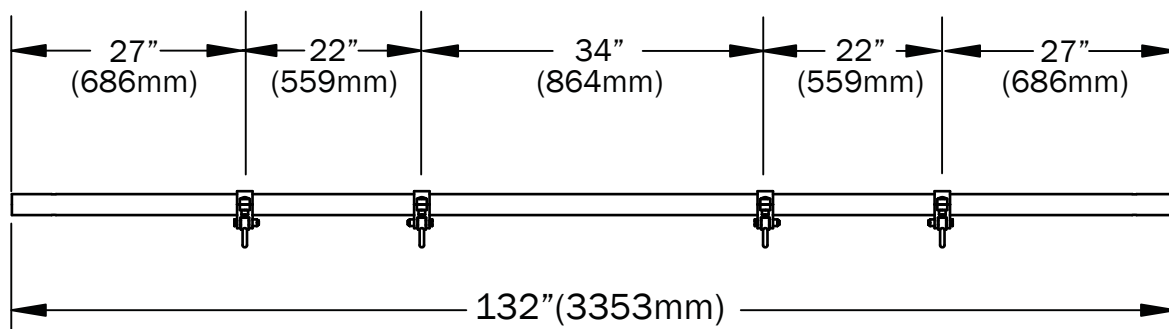
1. Using diagram below, measure over 27" from end of Toprail(A).
2. Enclose Swing Hanger(B) around Top Rail(A) using (2) Carriage Bolts(C) and secure with (2) Lock Nuts(D) and tighten.
3. Using diagram below as a guide, install remaining swing hangers.

**NOTE:** Swing Hanger(B) placement is measured from the center of each Swing Hanger(B).



**Infant swings and strap swings MUST be installed together in pairs in each swing bay.**

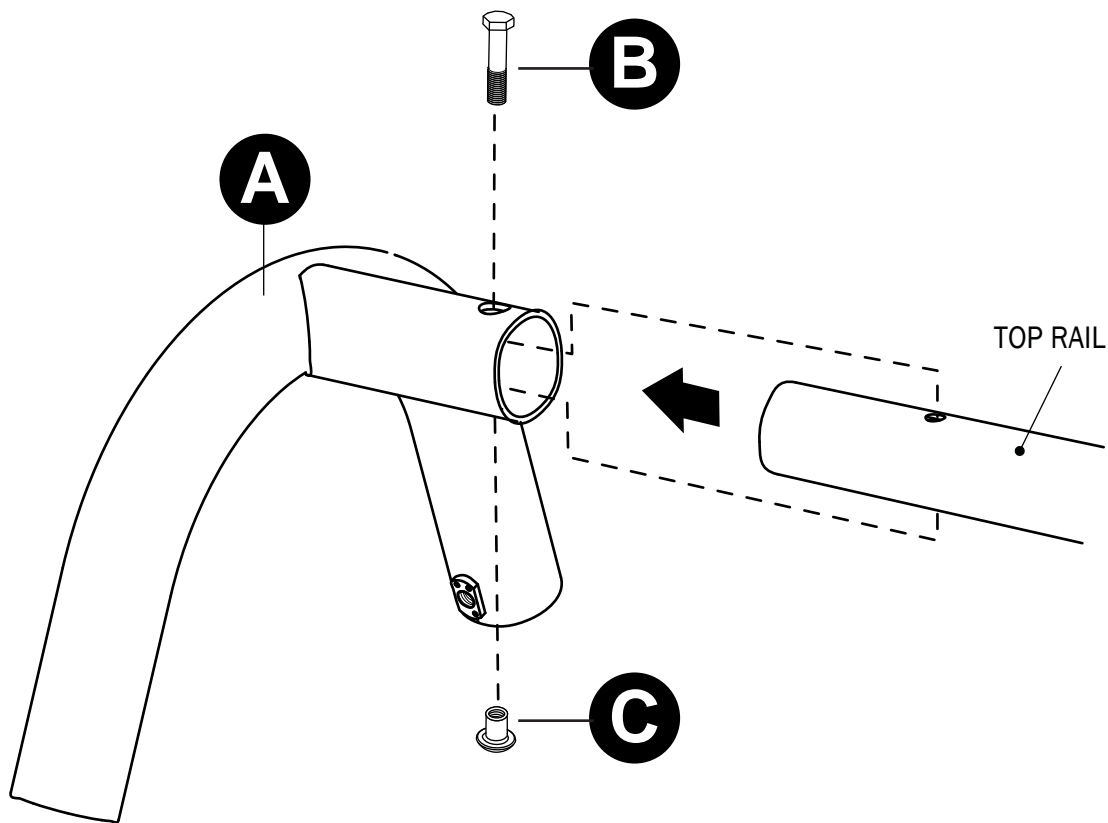
### FRONT VIEW





## STEP 3 - CONNECT YOKE CONNECTOR TO TOP RAIL

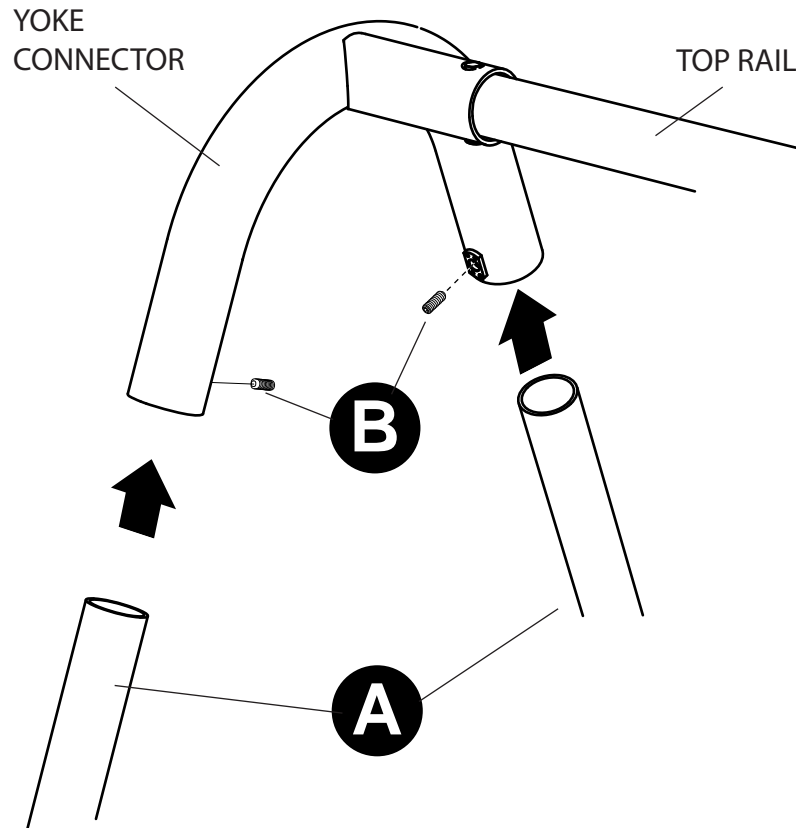
Parts List			
Letter	Description	Quantity	Part Number
A	Yoke Connector	2	P-02-05-0001
	<b>Hardware Complete</b>	1	33-13-0020
B	3/8" x 2-1/2" Hex Bolt	2	33-05-0031
C	3/8" Barrel Nut	2	33-01-0013



1. Insert Top Rail into tube of Yoke Connector(A).
2. Align holes in Top Rail and Yoke Connector(A) and insert Hex Bolt(B).
3. Secure with Barrel Nut(C).
4. Repeat for other side.

## STEP 4 - ATTACH LEGS TO YOKE CONNECTOR

Parts List			
Letter	Description	Quantity	Part Number
A	Legs	4	02-05-0004
	<b>Hardware Complete</b>	1	33-13-0020
B	1/2" x 3/4" Set Screw	4	33-05-0009

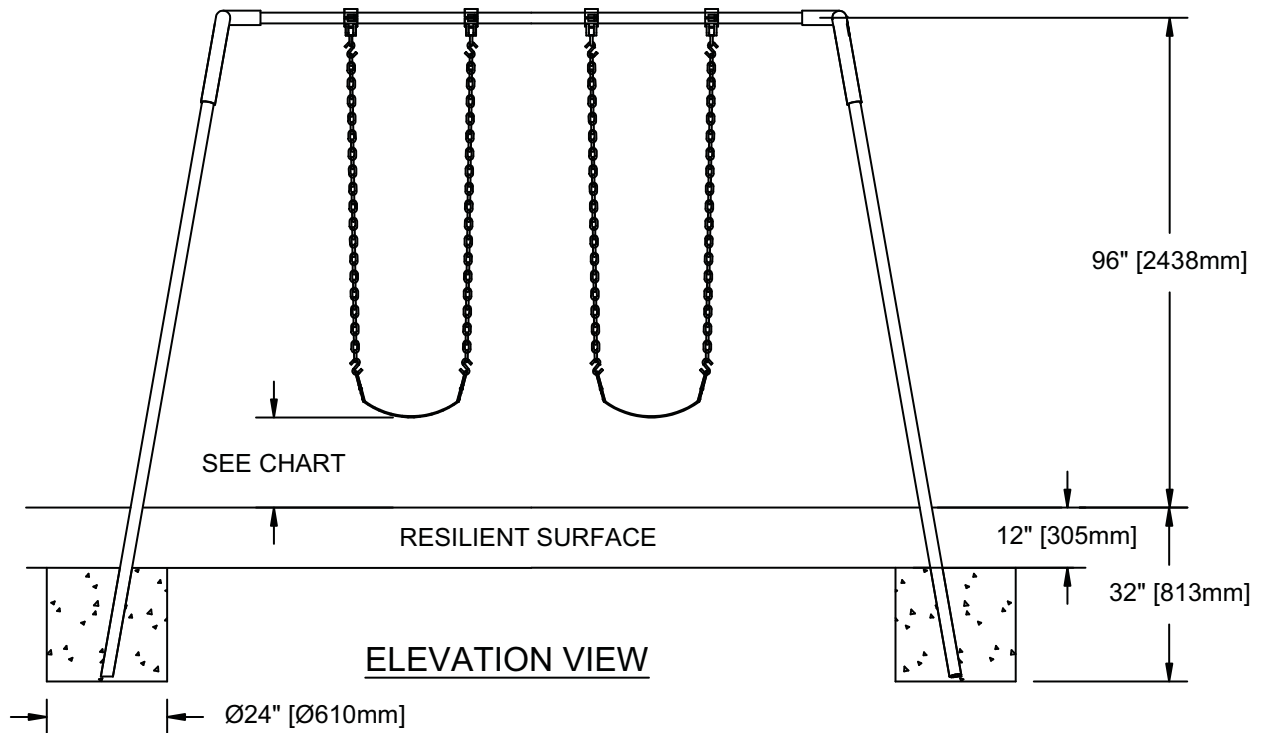


1. Insert Leg(A) into tube of Yoke Connector.
2. Secure with Set Screw(B).
3. Repeat for remaining (3) Legs.
4. Stand Swing upright and place into footers holes.

ASSEMBLY IS COMPLETE

Make sure swings are level and pour concrete into footers.

## STEP 5 - DETERMINE CHAIN LENGTH



NOTE: Swing Frame must be level.

DIMENSION FROM UNDERSIDE OF SEAT TO PROTECTIVE SURFACING (Strap Seat Only)		
STANDARD	MIN.	MAX.
*CANADIAN	14" [356mm]	18" [457mm]
ASTM	12" [305mm]	N/A
DIN	15 3/4" [400mm]	N/A
CPSC	N/A	N/A

\* UNDER LOADED CONDITION BASED ON WEIGHT OF 165lb. [75kg.]



**Infant Swing Seats  
must be AT LEAST 24"  
from the resilient Surfacing.**

