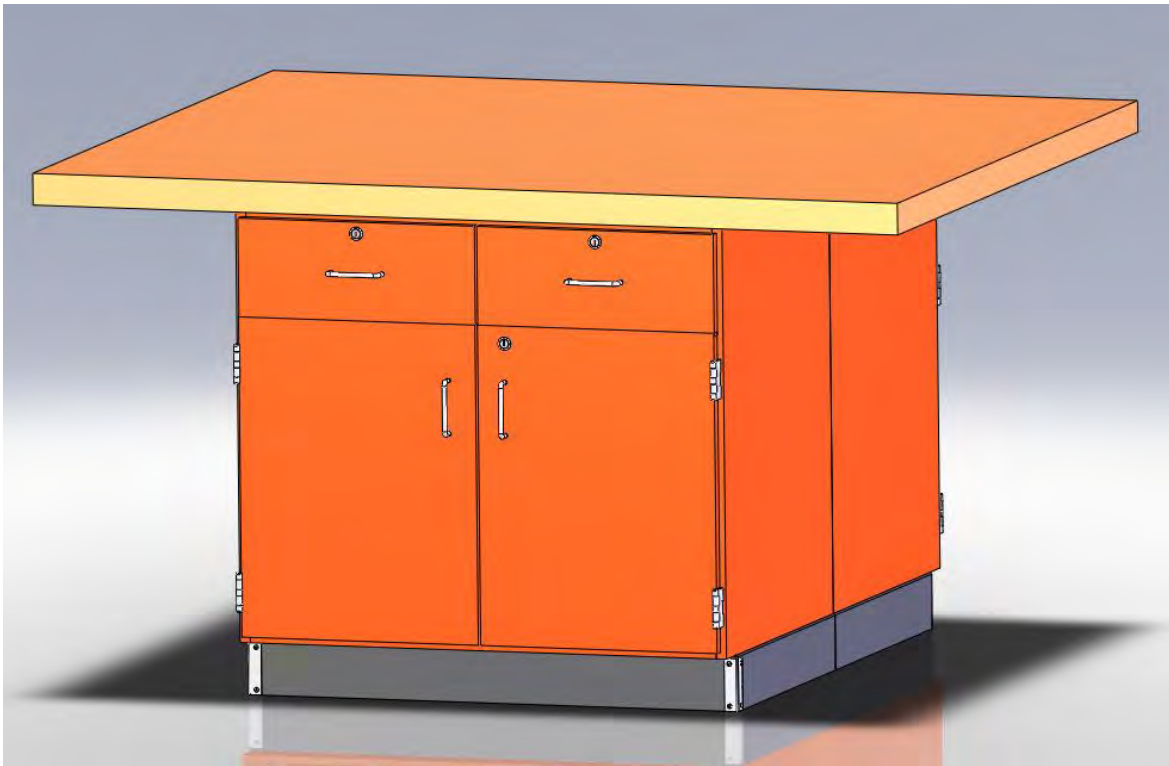




ASSEMBLY INSTRUCTIONS

WW231&232 WORKBENCH ASSEMBLY INSTRUCTIONS



***Model views may not represent exact model purchased**

TABLE OF CONTENTS

ASSEMBLY COMPONENTS _____ 3
TOP ATTACHMENT _____ 4
BASE MOLDING _____ 5

ASSEMBLY COMPONENTS

ITEMS INCLUDED	PART #		PART #
RUBBER BASE	100283	1-HARDWARE BOX	
16-STAINLESS STEEL SCREWS, 6X1/2	100064	WILTON CORP - VISE-78A	20-0185
4-STAINLESS STEEL CORNERS	100057	1-TOP	

REV	DESCRIPTION	DATE	
---	Original Created	6-12-09	NAM

Assembly Instructions

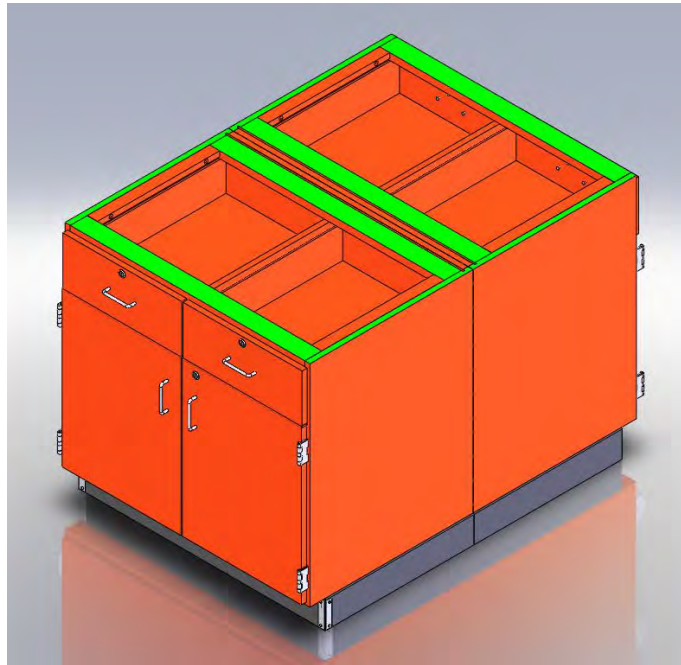
Inspect all components for shipping damage. Report any damage immediately.

Items not included but needed for assembly:

1. Screwdrivers, mounting screws
2. Contact Cement
3. Liquid nails or Silicone adhesive

Instructions:

1. Position the base cabinet or cabinets in your desired location. Level the cabinets. Anchor cabinet to each other. **Note: Cabinets must be leveled or doors and drawers may not open or close correctly.**
2. Apply liquid nails to top edges of cabinets. Set top on unit and adjust for proper overhang. **Note: Allow to cure for 6-12 hours.**



3. Clean the top by washing with water only.

4. Attach the rubber base molding using contact cement. After molding is in place, screw stainless steel corner brackets on each corner over the base molding.

