



**ASSEMBLY INSTRUCTIONS**

**WMSC-3735&BL MOBILE STORAGE  
ASSEMBLY INSTRUCTIONS**



**\*Model views may not represent exact model purchased**

# TABLE OF CONTENTS

	PAGE
REVISIONS TABLE.....	3
ASSEMBLY COMPONENTS.....	3
CASTER ASSEMBLY.....	4
PULL ASSEMBLY.....	5

# ASSEMBLY COMPONENTS

ITEMS INCLUDED	PART #		PART #
ASSEMBLY INSTRUCTIONS		1-HARDWARE BOX	
4-CASTERS, 4" SWIVEL PLATE	100081	1-SHELF,ADJ,MPL,EB1,1.00	200354-1606
1-KIT,HOOKS,9PC	229752	4-SHELF CLIPS,PLASTIC,5mm PIN	100027

REV	DESCRIPTION	DATE	INITIAL
---	Original Created	5-22-09	NAM

## Assembly Instructions for WMSC-3735&BL MOBILE STORAGE

Items not included but needed for assembly:

1. ½" Wrench

2. Adjustable pliers

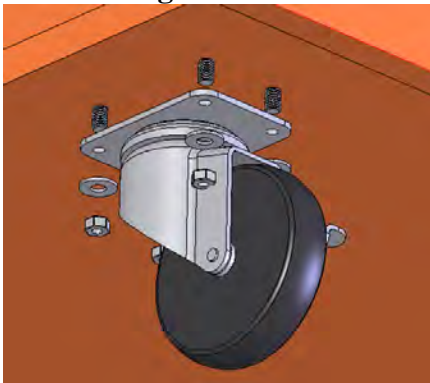
Instructions:

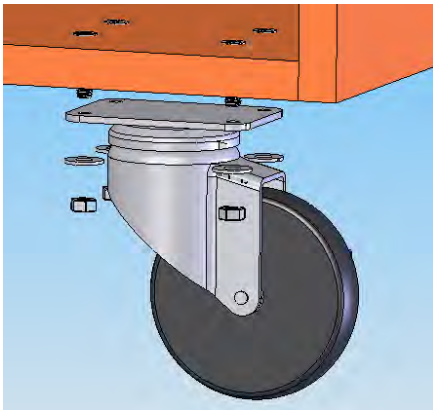
1. Attach the (4) 100081 4" Swivel Top Plate, W/Brake Casters into place using the (16) 100488 Screw, ¼" - 20X1 ¼" slotted flat, (16) 218589 Washer, ¼" Flat, Zinc Plated & the (16) 100483 Nut, ¼" - 20 Hex Zinc into the bottom of the base as shown.

**Figure 1**

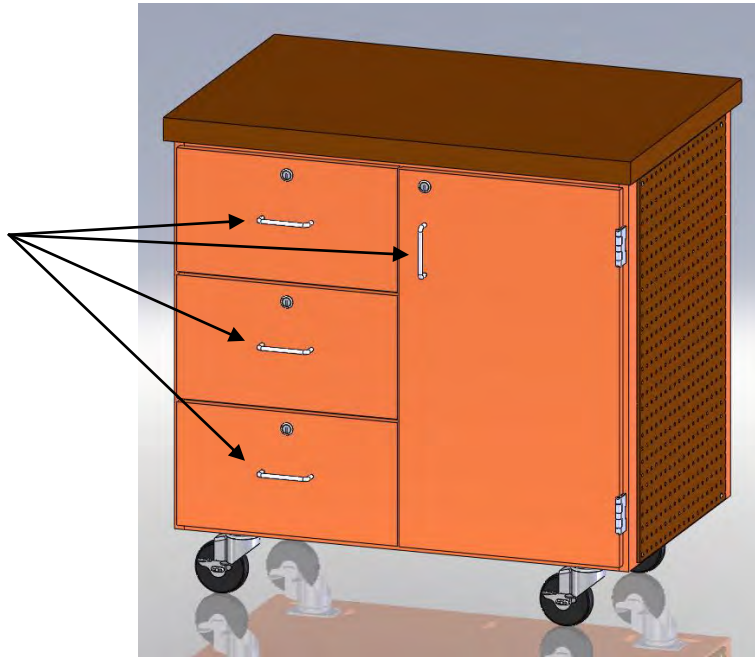


**Figure 1A Detail**





2. Reverse Pulls to Exterior of unit as shown.



3. Clean top with water only.