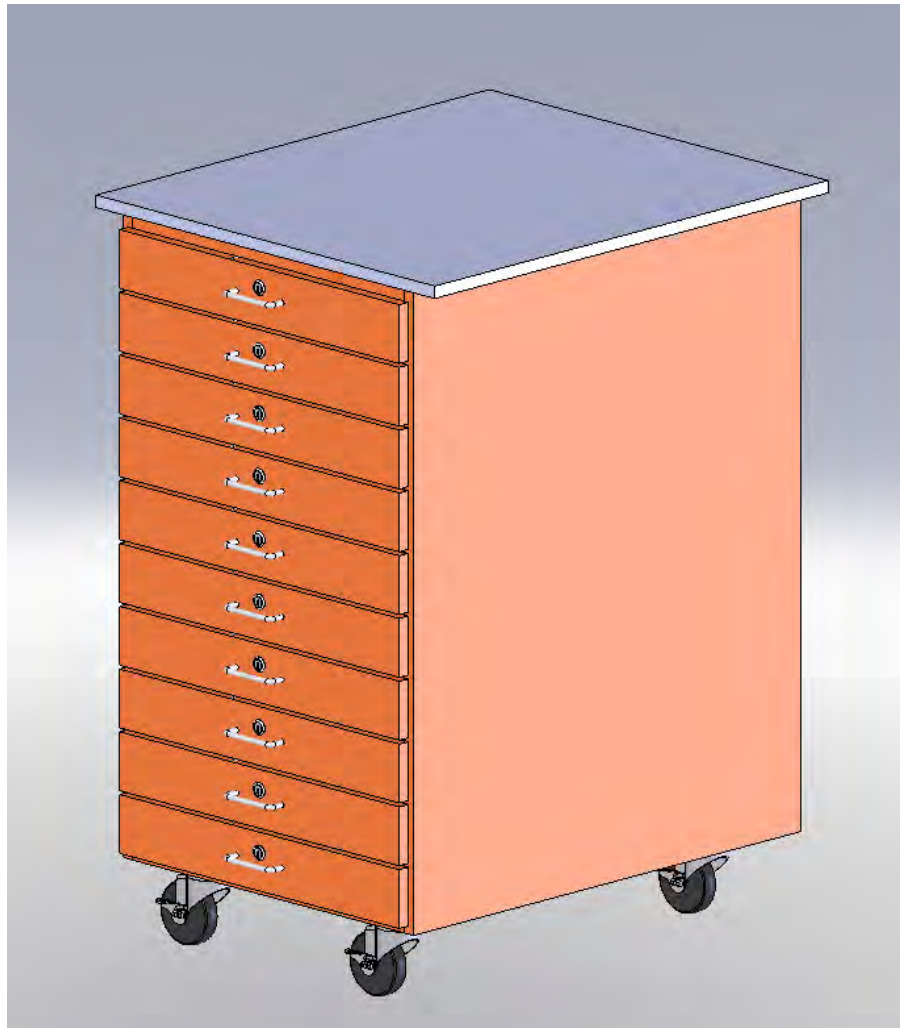




ASSEMBLY INSTRUCTIONS

**T-1000 TABORET
ASSEMBLY INSTRUCTIONS**



***Model views may not represent exact model purchased**

TABLE OF CONTENTS

	PAGE
REVISIONS TABLE.....	3
ASSEMBLY COMPONENTS.....	3
CASTER ASSEMBLY.....	4
HANDLES.....	5

ASSEMBLY COMPONENTS

ITEMS INCLUDED	PART #		PART #
ASSEMBLY INSTRUCTIONS		1-HARDWARE BOX	
CASTER,4IN SWIVEL TOP PLATE, W/BRAK	100081		
1-CASTER HARDWARE BAG	206509		

REV	DESCRIPTION	DATE	INITIAL
---	Original Created	5-21-09	NAM

Assembly Instructions

Items not included but needed for assembly:

1. $\frac{1}{2}$ " Wrench
2. Adjustable pliers

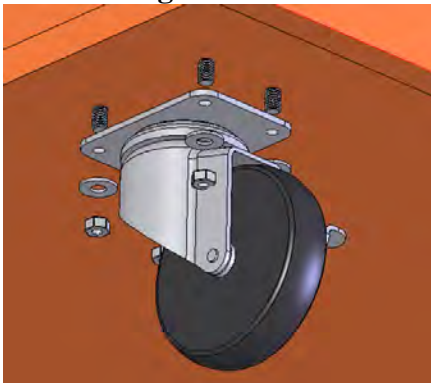
Instructions:

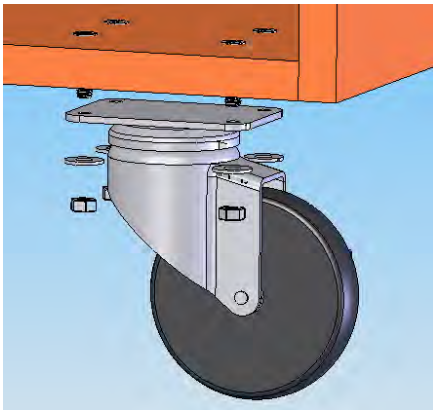
1. Attach the (4) 222033 3" Swivel Top Plate, W/Brake Casters into place using the (16) 100488 Screw, $\frac{1}{4}$ " - 20X1 $\frac{1}{4}$ " slotted flat, (16) 218589 Washer, $\frac{1}{4}$ " Flat, Zinc Plated & the (16) 100483 Nut, $\frac{1}{4}$ " - 20 Hex Zinc into the bottom of the base as shown.

Figure 1



Figure 1A Detail





2. Reverse pulls to the exterior of unit as shown.

