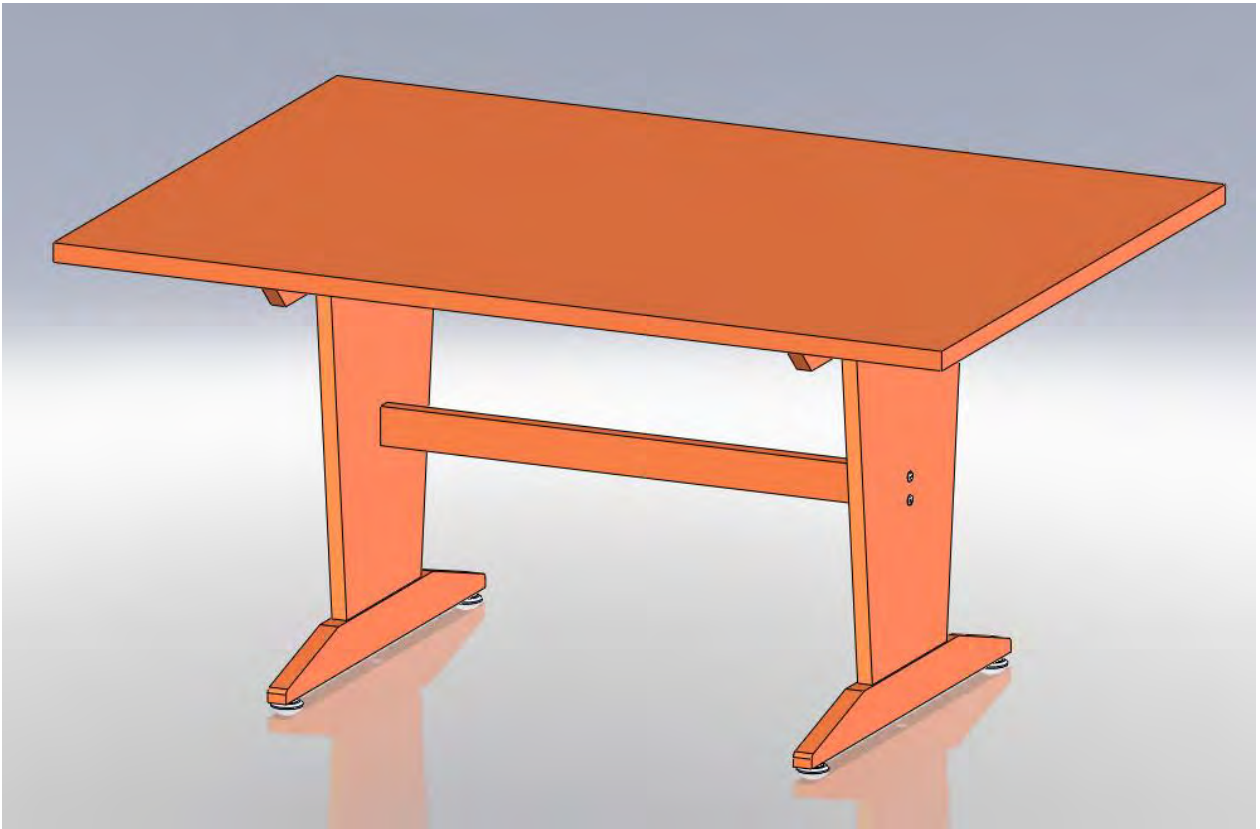




## ASSEMBLY INSTRUCTIONS

### PT-TABLES ASSEMBLY INSTRUCTIONS



**\*Model views may not represent exact model purchased**

# TABLE OF CONTENTS

ASSEMBLY COMPONENTS	3
LEG ASSEMBLY	4
STRETCHERS	4

# ASSEMBLY COMPONENTS

ITEMS INCLUDED	PART #		PART#
1-TOP, TABLE		2-LEG, PANEL, PED	227569
4-LEG LEVELER	100079	HARDWARE BOX	
STRETCHER, LEG	227927		
	228501		

REV	DESCRIPTION	DATE	NAM
---	Original Created	6-10-09	NAM

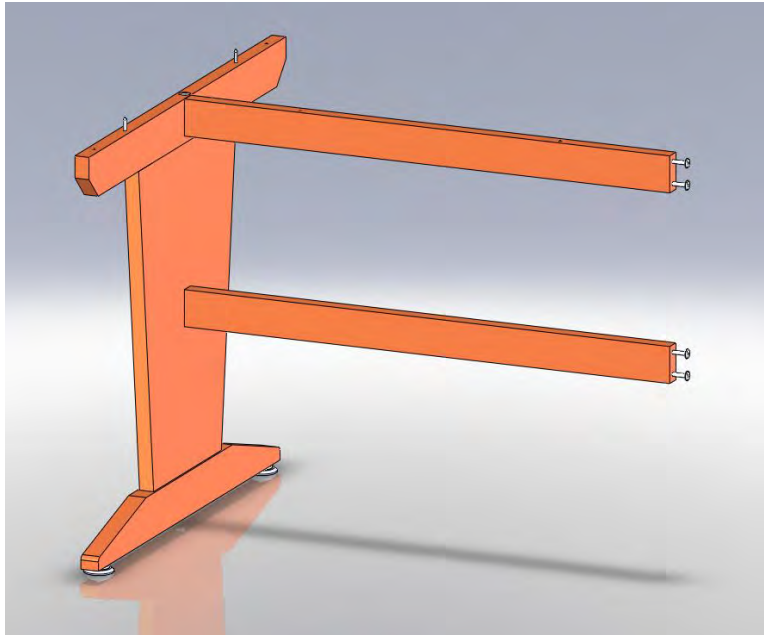
## Assembly Instructions

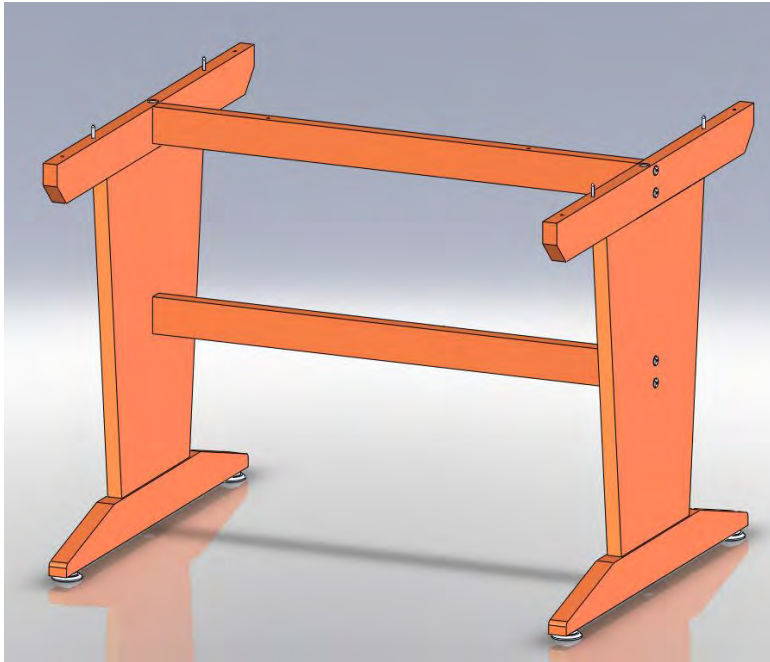
Items not included but needed for assembly:

1. ½" wrench

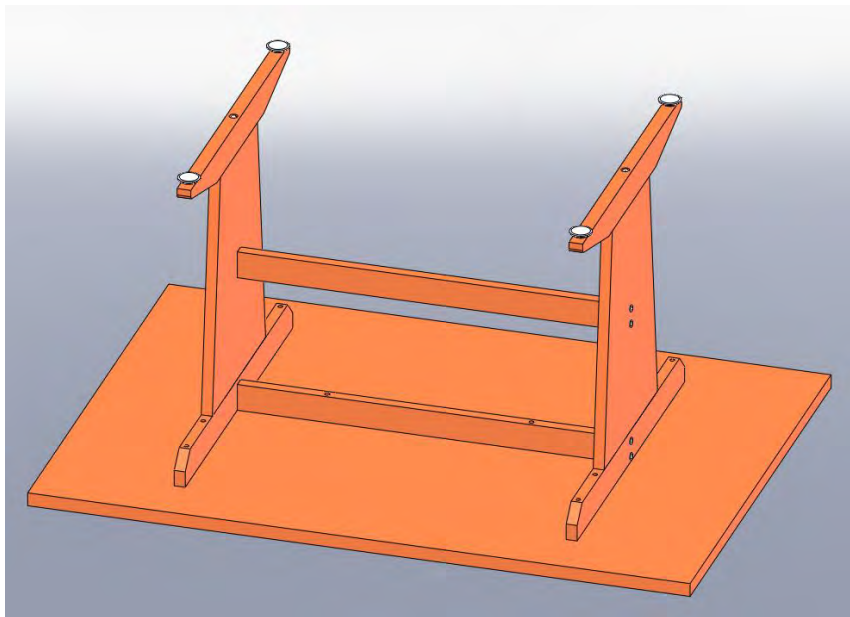
Instructions:

1. Lay the table on the floor with the bottom up. (Be sure to lay the table on a clean surface so you don't damage the tabletop.)
2. Take each of the table legs and insert the stretcher stud through the predrilled holes. The stretcher with the drilled holes goes on the top. Attach with 8-SCREW, 7MMX70MM, CONN, ALLENHEAD

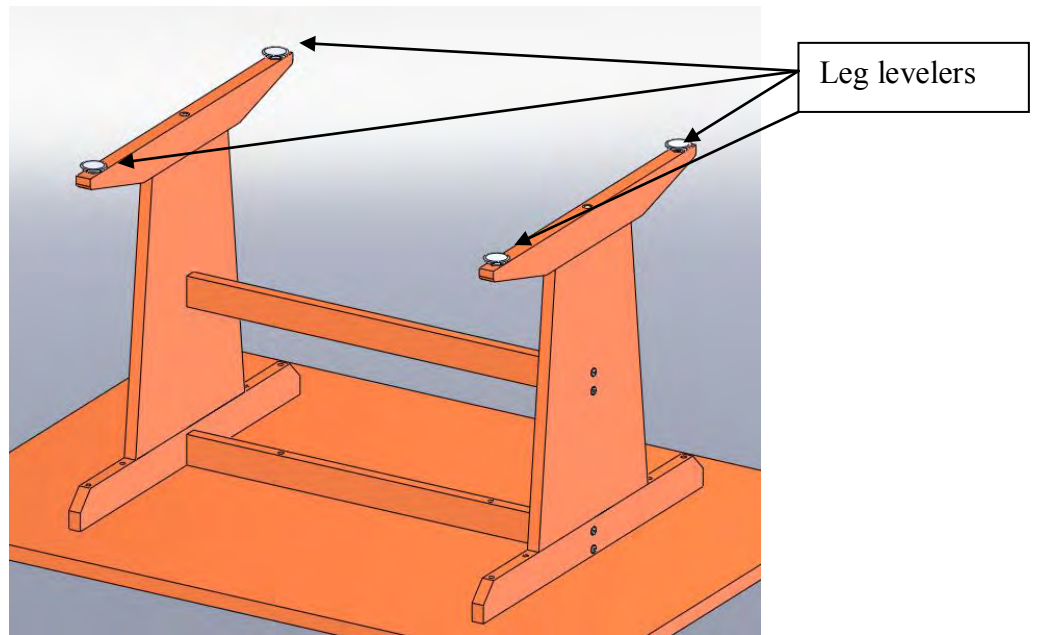




3. Center legs on top. Attach the legs to the top using 10- screws provided.



4. Screw leg levelers into t-nut in the bottom of the leg.



5. Turn the table over so the top is up. Set your table in place and adjust the leg levelers to level the table.