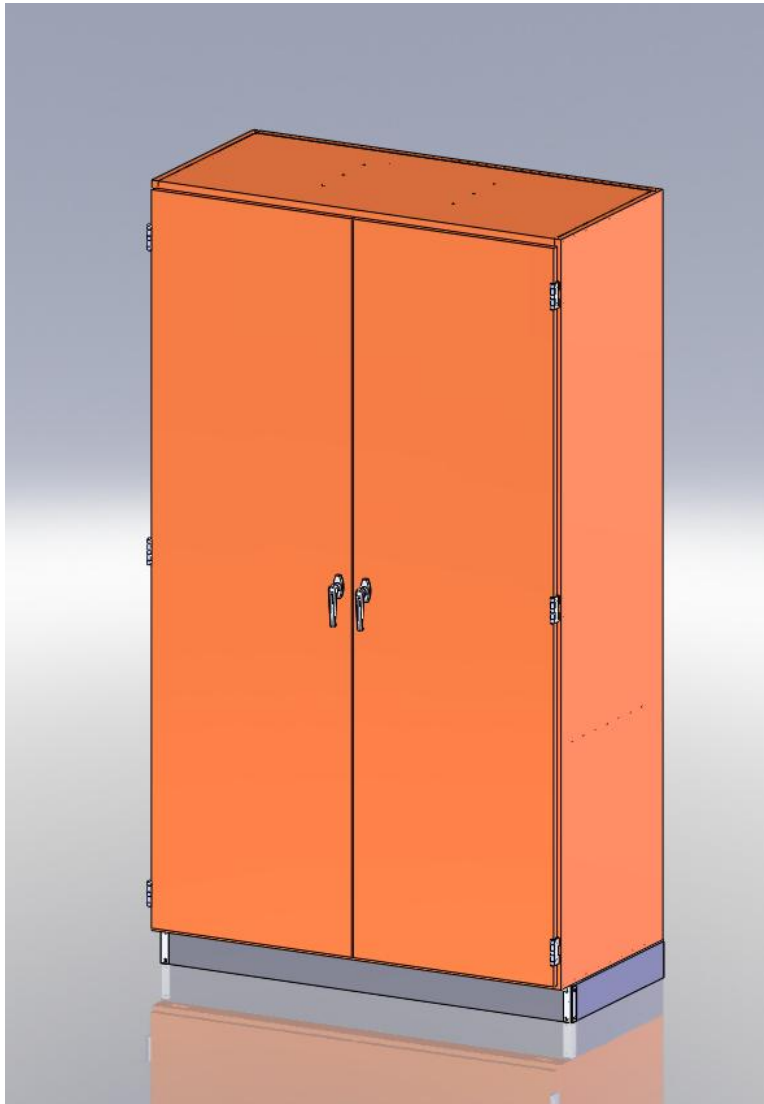




## ASSEMBLY INSTRUCTIONS

# DTC-5 STORAGE CABINETS ASSEMBLY INSTRUCTIONS



**\*Model views may not represent exact model purchased**

# TABLE OF CONTENTS

ASSEMBLY COMPONENTS	3
BASE MOLDING	4

# ASSEMBLY COMPONENTS

ITEMS INCLUDED	PART #		PART #
7.66 FT-RUBBER BASE	100283	1-HARDWARE BOX	
8-STAINLESS STEEL SCREWS, 6X1/2	100064		
2-STAINLESS STEEL CORNERS	100057		

REV	DESCRIPTION	DATE	NAM
---	Original Created	5-21-09	NAM

## Assembly Instructions for Storage Cabinets

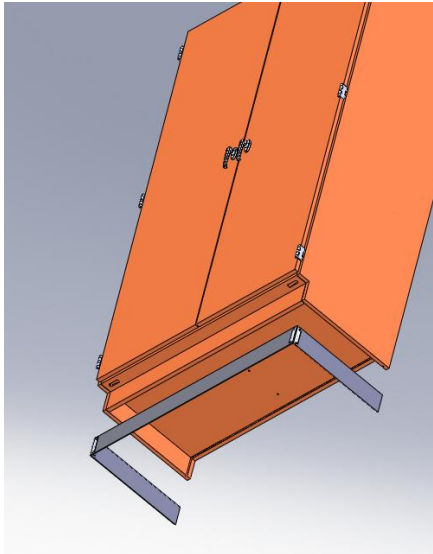
### Tools Needed:

- 1) Contact Cement
- 2) Phillips Head Screwdriver

## NOTE!

**Cabinet is top heavy and will tip when doors are open if not secured to a wall. Must be fastened to a solid surface prior to assembly of rubber base and shelving**

1. Following directions on contact cement, apply to back of the three pieces of rubber base and to the base of the cabinet allowing for the appropriate curing time.
2. Place the rubber base on cabinet and position the stainless corners on the front two bottom corners of the cabinet and attach with screws provided.



3. After cabinet is set in place insert shelf clips in desired locations making sure the shelf is level