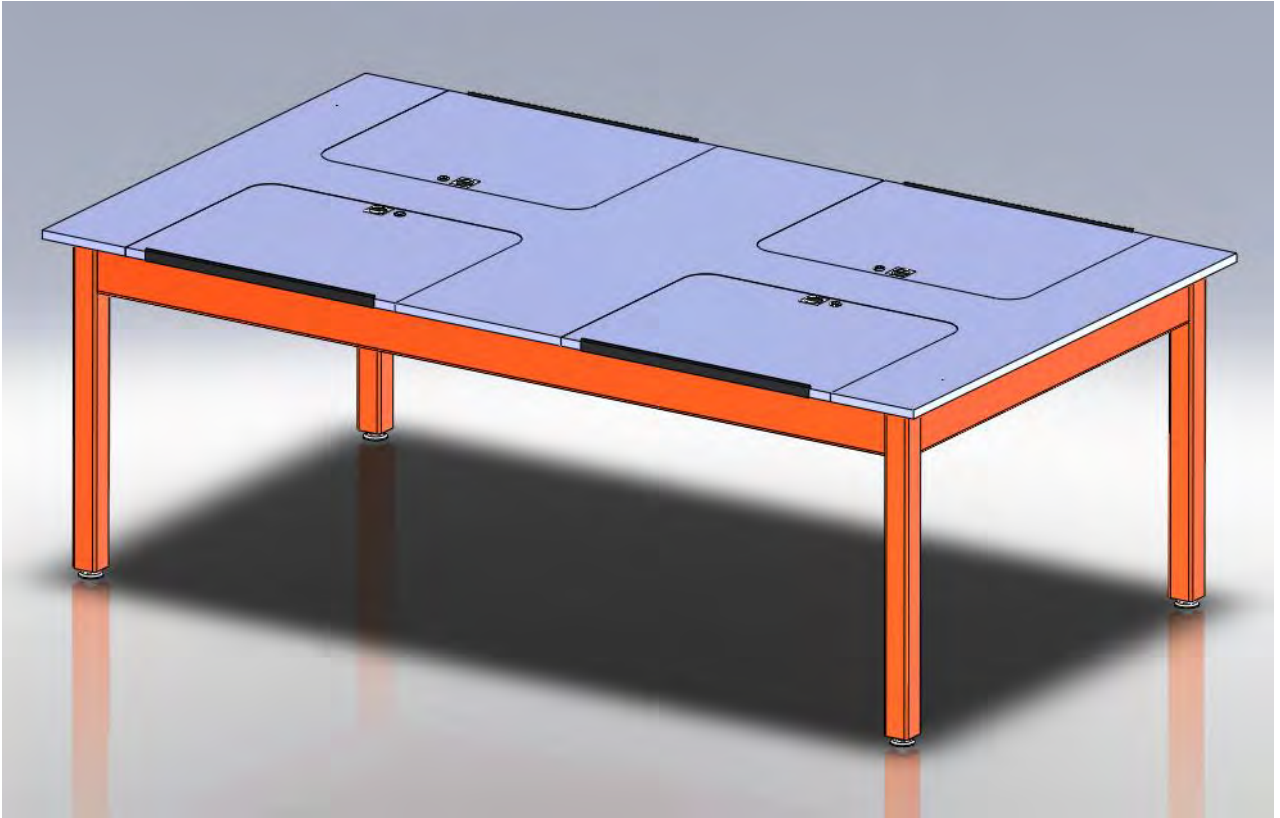




## ASSEMBLY INSTRUCTIONS

### DT-90PL TABLE ASSEMBLY INSTRUCTIONS



**\*Model views may not represent exact model purchased**

# TABLE OF CONTENTS

ASSEMBLY COMPONENTS	3
APRON TO LEG ATTACHMENT	4
LEG ASSEMBLY	5

# ASSEMBLY COMPONENTS

ITEMS INCLUDED	PART #		PART#
1-LEG KIT, TABLE		1-APRON ASSY, TABLE	
1-TOP, TABLE		1-BOX, TABLES	

REV	DESCRIPTION	DATE	NAM
---	Original Created	6-12-09	NAM

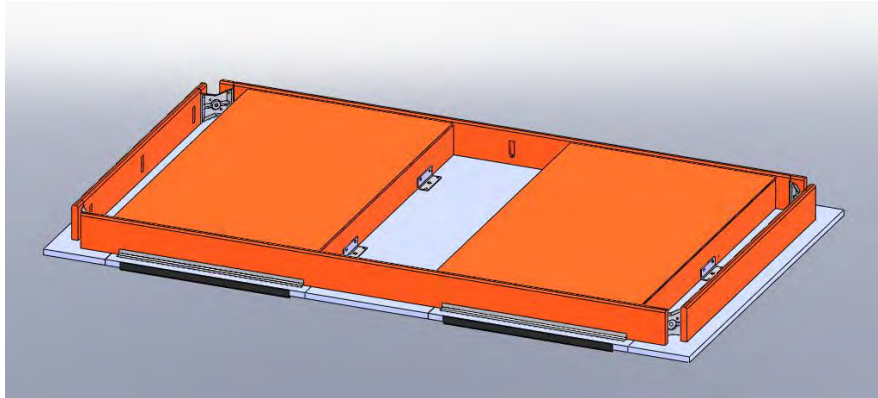
## Assembly Instructions for Tables

Items not included but needed for assembly:

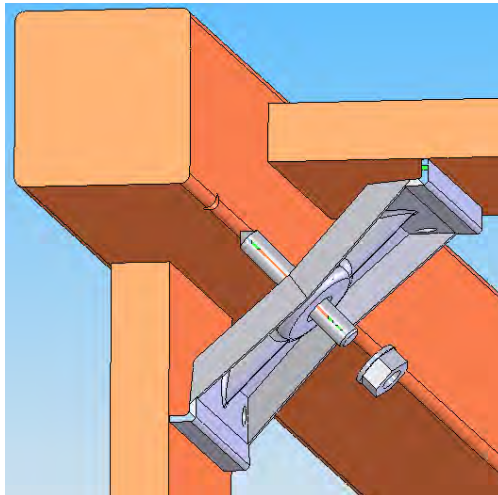
1. ½” wrench

Instructions:

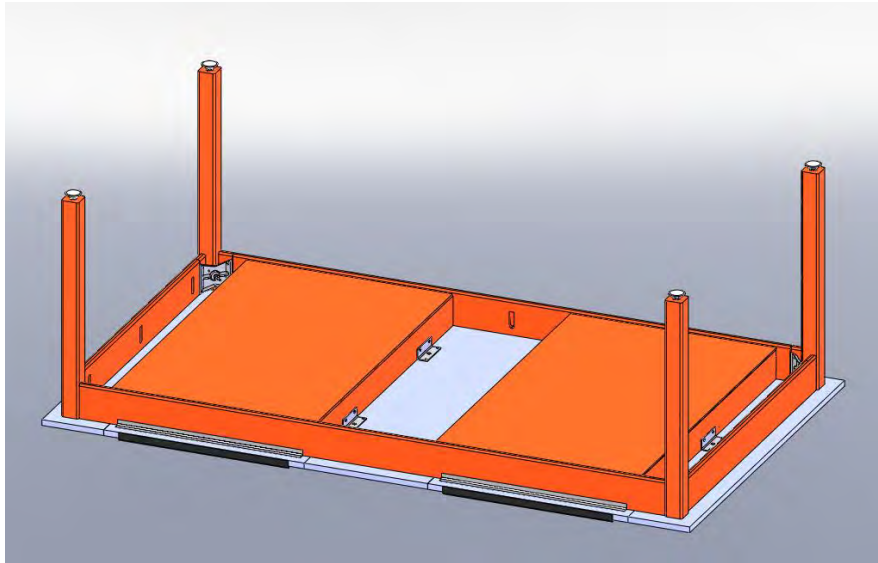
1. Lay the table on the floor with the apron side up. (Be sure to lay the table on a clean surface so you don't damage the tabletop.)



2. Take each of the table legs and insert the stud bolt through the hole in the steel corner brace.

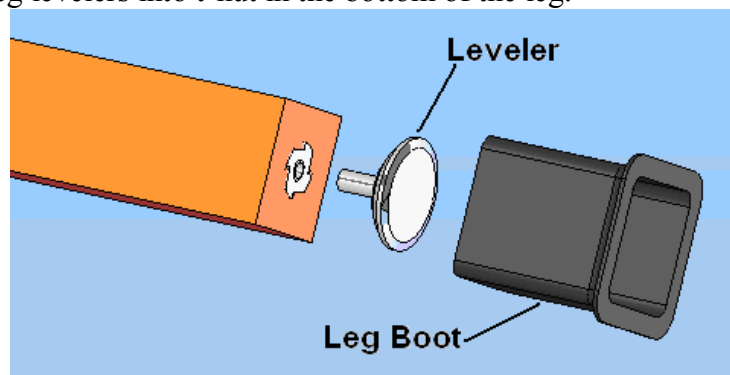


3. Apply a lock washer and a 5/16” nut onto each stud bolt. Tighten each nut using a minimum of 12 foot-pounds but not exceeding 17 foot-pounds of torque.



4. Slide leg boots onto the legs with the flared end toward the bottom of the leg.

5. Screw leg levelers into t-nut in the bottom of the leg.



6. Turn the table over so the top is up. Set your table in place and adjust the leg levelers to level the table.

7. Slide the leg boot down to the floor.