

ASSEMBLY INSTRUCTION

Remove all items from the carton . Verify all pieces before assembly.

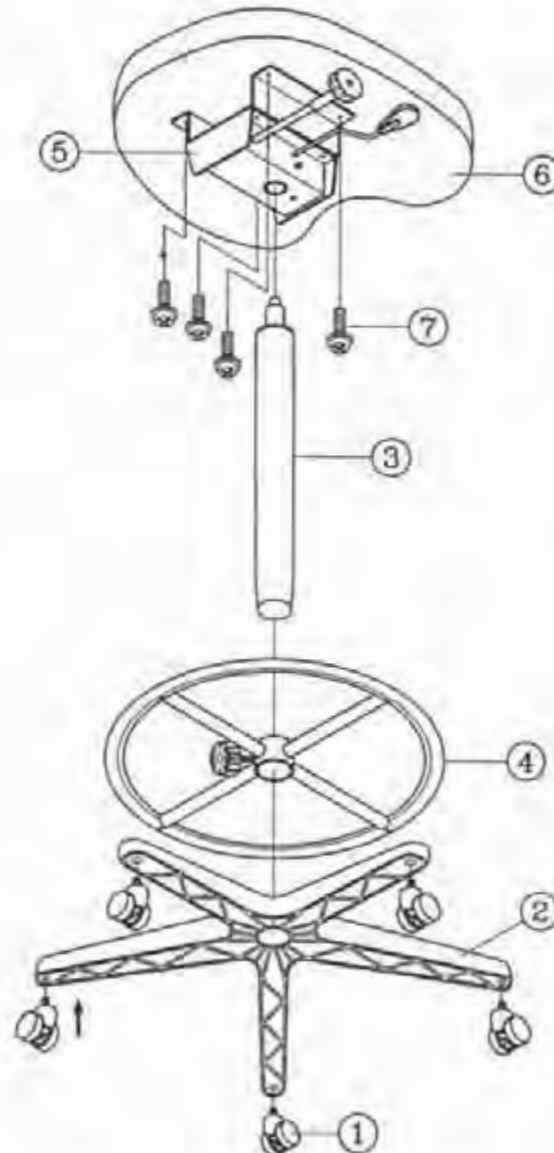
PART LIST

KEY	QTY	DESCRIPTION
1	5	Caster
2	1	Base
3	1	Seat Post
4	1	Footring + Height Adjustment Knob
5	1	Mechanism
6	1	Seat
7	4	Mechanism Screw

PREVENTIVE MAINTENANCE AND WARNING!

- USE THIS PRODUCT ONLY FOR SEATING ONE PERSON AT A TIME.
- DO NOT USE THIS CHAIR AS A STEP STOOL / LADDER.
- DO NOT USE CHAIR UNLESS ALL BOLTS , SCREWS AND KNOBS ARE TIGHT . AT LEAST EVERY SIX MONTHS , CHECK ALL BOLTS , SCREWS AND KNOBS TO BE SURE THEY ARE TIGHT.
- IF ANY PARTS ARE MISSING , BROKEN , DAMAGED OR WORN , STOP USE OF THE PRODUCT UNTIL REPAIRS ARE MADE USING FACTORY AUTHORIZED PARTS.
- FAILURE TO FOLLOW THESE WARNINGS COULD RESULT IN SERIOUS INJURY.

★ Use caution when sitting on chair initially . Check all screws to be sure they are securely tightened.



**OFFICE STAR™
PRODUCTS**

ST205

Thank you for purchasing a quality Office Star Product Chair . If you are missing a part or require assistance with assembly...

DO NOT RETURN TO STORE

Please call us : **Toll Free 1-800-950-7262**

Office Hours

Monday through Friday 8:00 ~ 17:00 Pacific time