







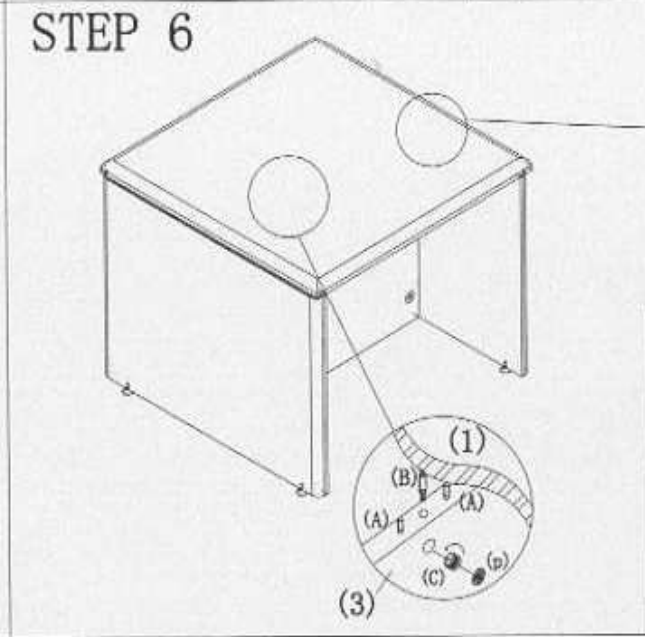
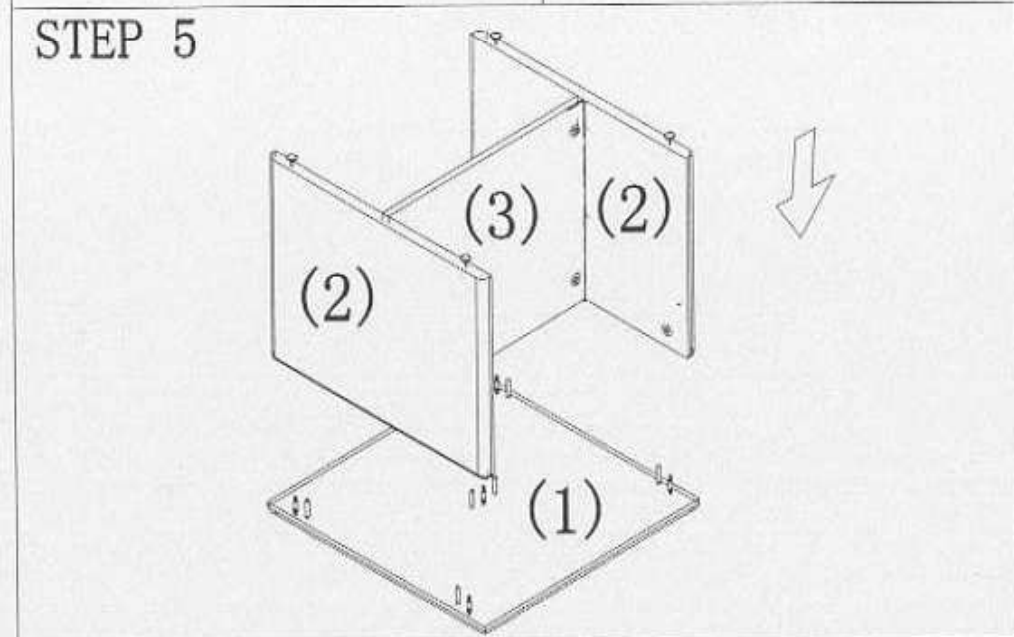
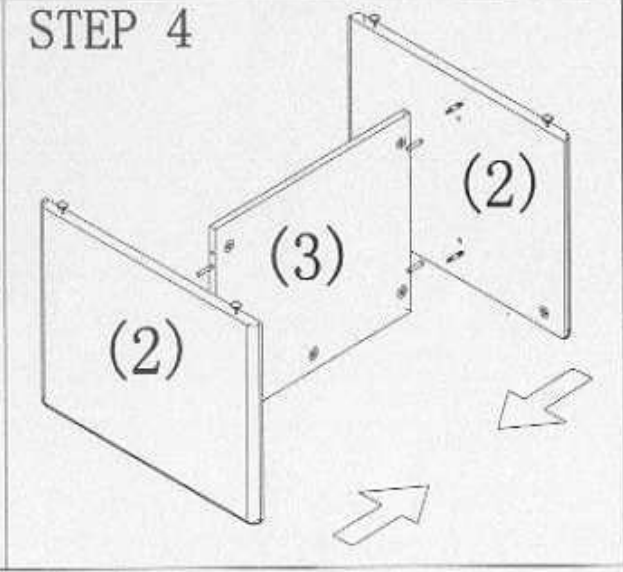
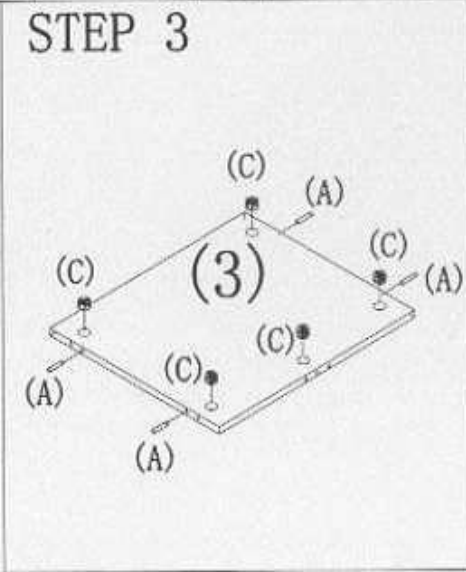
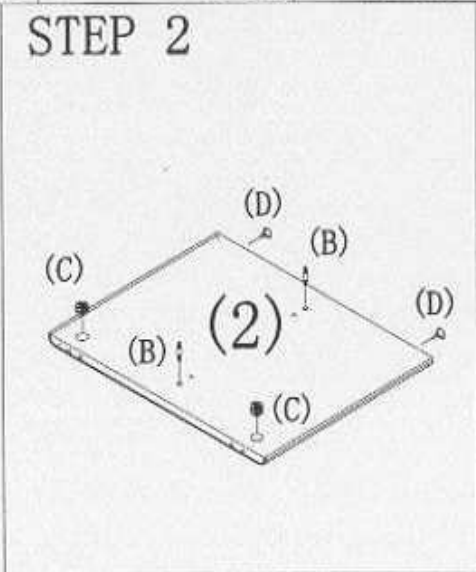
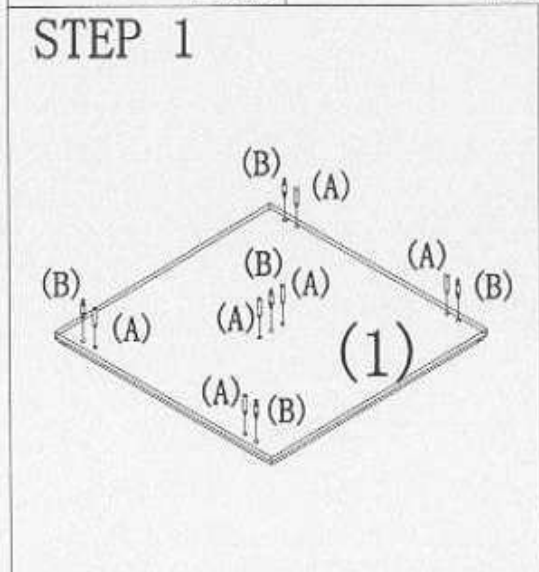



(1) Top  1PCS	(2) End Panel  2PCS	(3) Modesty Panel  1PCS	(A) Dowel  10PCS+1	(B) Cam Pin  9PCS+1	(C) Cam Lock  9PCS+1	(D) Leg Leveller  4PCS	(p) Cam Cover  9PCS+1
---	--	--	---	--	---	---	--



NAME: END TABLE, 24*24
 TYPE: SON-20
 SPECIFICATION: 24"W*24"D*20"H



877-OSP-WORX (877-677-9679)
 Always lay components on clean, soft cushioned surface only.