

# DC940 PNEUMATIC TASK CHAIR

## OPERATING INSTRUCTIONS



### FEATURES

#### • SEAT HEIGHT ADJUSTMENT

To raise seat remove pressure from seat and lift lever (1). To lower seat height sit on chair and lift lever (1).

**NOTE:** It is normal for chair to slightly lower under body weight.

#### • BACK AND BACK ANGLE ADJUSTMENT

To adjust tilt angle, pull lever (2) up for free float, and push lever (2) down to lock.

#### • BACK HEIGHT ADJUSTMENT

To adjust back height, turn backrest knob (3) counter-clockwise, lift back cushion to desired height, then turn knob (3) clockwise to tighten.

#### • FOOTRING HEIGHT ADJUSTMENT

To adjust Footring height, turn knob (4) counter-clockwise, adjust Footring to desired height, and turn knob (4) to secure Footring into position.

### WARNING

1. Use this product only one person at a time.
2. Do not use this chair unless all bolts screws and knobs are securely tightened.
3. Check that all bolts screws and knobs are tight every three months or as needed.
4. Dispose of packing material properly. Do not use plastic cover as head covering. It may cause suffocation.
5. Do not use chair as a stepladder.
6. Use this chair for its intended purpose only.
7. Use mild detergent only for cleaning.

### LIMITED WARRANTY

Work Smart chairs are warranted from the date of purchase against failure due to material and workmanship as follows:

- 15 Years on all non-moving metal parts.
- 5 Years on component parts including Control mechanisms, pneumatic cylinders, wood, plastic parts, base and casters.
- 3 Years on upholstery fabric and foam against wear and deterioration.

To make a warranty claim, contact Parts Department. Provide model number, proof of purchase, description of the problem and obtain return authorization. At its option Office Star Products will:

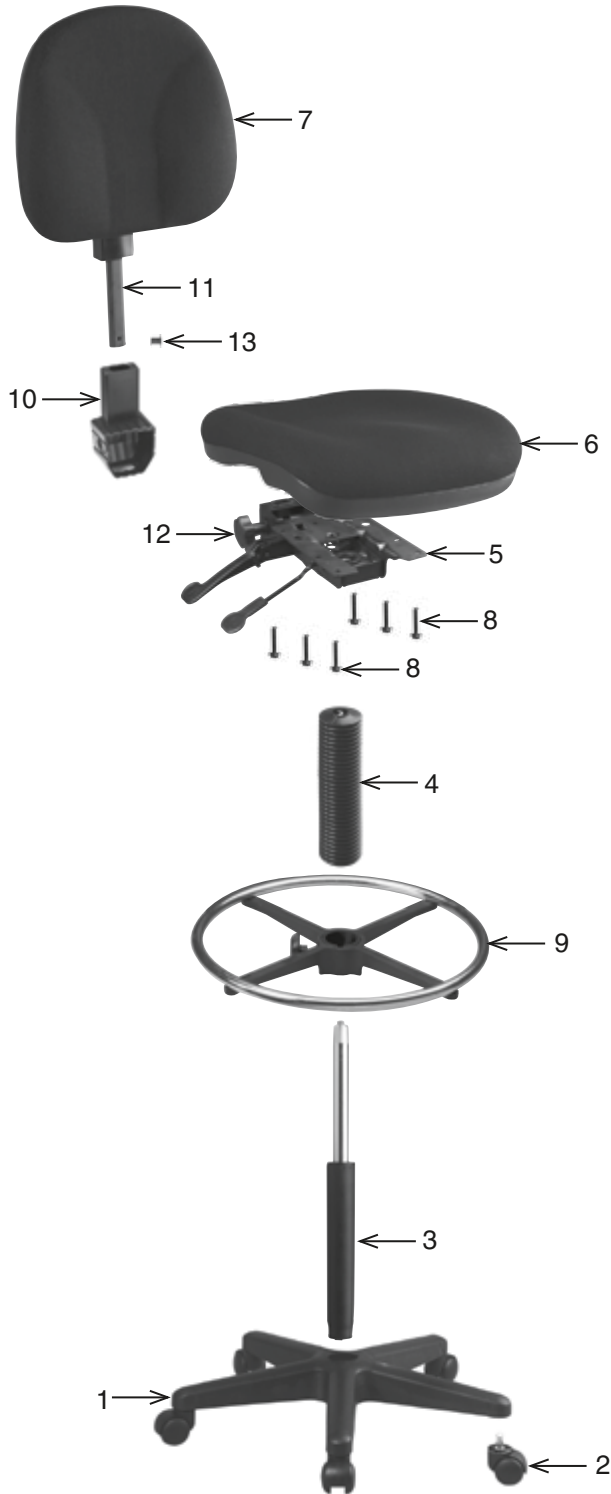
- (a) Supply compatible components of current manufacture.
- (b) Repair the customer's component. The customer must prepay freight on any components returned to the factory. Return freight on components still in warranty will be paid by Office Star Products.

*\*All warranties are limited to the original purchaser for normal commercial usage defined as a standard forty hour work week by persons weighing 250 lbs. or less. This warranty will not cover labor, freight or damage from misuse, abuse, negligence, alteration, accident, vandalism, rusting, acts of nature or any other event beyond the control of Office Star Products. The warranty does not cover cosmetic damage that may result from normal use. Liability for incidental or consequential damages is excluded. The user assumes all risk of injury resulting from use of this product. When usage is more than 40 hours per week, a two year warranty on all parts applies. Fabric and foam is warranted for one year. This warranty gives you specific legal rights, and you may also have other rights which vary from state to state.*

Our quality standards are among the highest in the industry. Sometimes, no matter how hard we try, there are times when parts are damaged or missing. Our Parts Department will do everything possible to promptly remedy the problem. Contact us via e-mail [parts@officestar.net](mailto:parts@officestar.net), by Fax 1-909-930-5629, or toll free parts number 1-800-950-7262, Monday through Friday 8:00 a.m. - 5:00 p.m. Pacific Time.

# DC940 PNEUMATIC TASK CHAIR

## ASSEMBLY INSTRUCTIONS



PART	QTY
1. Base	1
2. Casters	5
3. Pneumatic Cylinder	1
4. Bellows	1
5. Mechanism	1
6. Seat Cushion	1
7. Back Cushion	1
8. Screws	6
9. Foot Ring	1
10. Plastic Cover	1
11. Back Support (pre-installed)	1
12. Knob (pre-installed)	1
13. Plastic Stop	1

Phillips Screwdriver also needed for assembly (not provided)

**Remove all parts from carton, separate by part numbers indicated on parts list, and verify part quantities.**

**STEP 1** Insert five Casters (2) into Base (1), push hard until you feel or hear the Caster (2) snap into place.

Insert Pneumatic Cylinder (3) into Base (1), slide Foot Ring (9) down Pneumatic Cylinder and slip Bellows (4) over Pneumatic Cylinder (3).

**STEP 2** Attach Mechanism (5) to Seat Cushion (6) using six Screws (8), **FULLY TIGHTEN ALL SCREWS**

**USING PHILLIPS SCREWDRIVER (not provided)**

**STEP 4** Place assembled seat on top of Pneumatic Cylinder (3) and apply downward pressure.

**STEP 5** Cover back end of Mechanism (5) using Plastic Cover (10), insert Back Support (13) through top of Plastic Cover (10) and into back end of Mechanism (5), fully tighten Knob (12) to secure Back Support (11).

Insert Plastic Stop (13) into Back Support (11)

**ATTENTION: MAKE SURE ALL SCREWS ARE FULLY TIGHTENED BEFORE USING CHAIR.**