

## KCM1420 ERGONOMIC KNEE CHAIR OPERATING INSTRUCTIONS



### **WARNING**

1. Use this product only one person at a time.
2. Do not use this chair unless all bolts screws and knobs are securely tightened.
3. Check that all bolts screws and knobs are tight every three months or as needed.
4. Dispose of packing material properly. Do not use plastic cover as head covering. It may cause suffocation.
5. Do not use chair as a stepladder.
6. Use this chair for its intended purpose only.
7. Use mild detergent only for cleaning.

### **LIMITED WARRANTY**

Work Smart chairs are warranted from the date of purchase against failure due to material and workmanship as follows:

- 5 Years on all non-moving metal parts.
- 2 Years on component parts including Control mechanisms, pneumatic cylinders, wood, plastic parts, base and casters.
- 1 Year on upholstery fabric and foam against wear and deterioration.

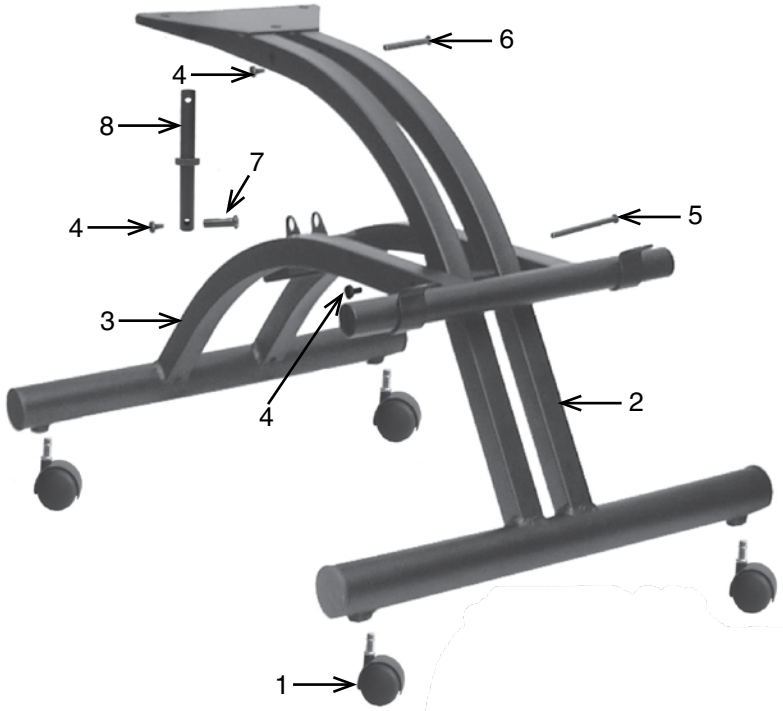
To make a warranty claim, contact Parts Department. Provide model number, proof of purchase, description of the problem and obtain return authorization. At it's option Office Star Products will:

- (a) Supply compatible components of current manufacture.
- (b) Repair the customer's component. The customer must prepay freight on any components returned to the factory. Return freight on components still in warranty will be paid by Office Star Products.

*\*All warranties are limited to the original purchaser for normal commercial usage defined as a standard forty hour work week by persons weighing 250 lbs. or less. This warranty will not cover labor, freight or damage from misuse, abuse, negligence, alteration, accident, vandalism, rusting, acts of nature or any other event beyond the control of Office Star Products. The warranty does not cover cosmetic damage that may result from normal use. Liability for incidental or consequential damages is excluded. The user assumes all risk of injury resulting from use of this product. When usage is more than 40 hours per week, a two year warranty on all parts applies. Fabric and foam is warranted for one year. This warranty gives you specific legal rights, and you may also have other rights which vary from state to state.*

Our quality standards are among the highest in the industry. Sometimes, no matter how hard we try, there are times when parts are damaged or missing. Our Parts Department will do everything possible to promptly remedy the problem. Contact us via e-mail [parts@officestar.net](mailto:parts@officestar.net), by Fax 1-909-930-5629, or toll free parts number 1-800-950-7262, Monday through Friday 8:00 a.m. - 5:00 p.m. Pacific Time.

## KCM1420 ERGONOMIC KNEE CHAIR ASSEMBLY INSTRUCTIONS



PART	QTY
1. Casters	4
2. Seat Support	1
3. Knee Support	1
4. Short Screws	3
5. Long Pivot Pin	1
6. Mid Pivot Pin	1
7. Small Pivot Pin	1
8. Height Adjuster	1
9. Seat Cushion	1
10. Knee Cushion	2
11. Flat Washers	7
12. Long Screws	7
13. Allen Wrench (not shown)	1



**Remove all parts from carton, separate by part numbers indicated on parts list, and verify part quantities.**

**STEP 1** Insert four Casters (1) into Seat Support (2) and Knee Support (3), push hard until you feel or hear the Caster (1) snap into place.

**STEP 2** Insert Seat Support (2) through center of Knee Support (3). Align pivot pin holes of Seat Support (2) with pivot pin holes of Knee Support (3) and slip Long Pivot Pin (5) through holes and secure using Short Screw (4). **FULLY TIGHTEN ALL SCREWS USING ALLEN WRENCH (13).**

**STEP 3** Insert Height Adjuster (8) into Seat Support (2) and align holes and secure using Mid Pivot Pin (6) and Short Screw (4). Align holes of Height Adjuster (8) with Knee Support (3) and secure using Mid Pivot Pin (6) and Short Screw (4). **FULLY TIGHTEN ALL SCREWS USING ALLEN WRENCH (13).**

**STEP 4** Attach Seat Cushion (9) to Seat Support (2) with arrows pointing forward. Secure using three Long Screws (12) and three Flat Washers (11).

**STEP 5** Attach Knee Cushions (10) to Knee Support (3), secure using two Long Screws (12) and two Flat Washers (11) for each Knee Cushion (10).

**ATTENTION: MAKE SURE ALL SCREWS ARE FULLY TIGHTENED BEFORE USING CHAIR.**

**(This is a non printing page)**

## **Office Star Products: Instructions Printing Rules**

The following must be followed:

1. No changes should be made to these documents. If changes are needed they must be made through Office Star Products.
2. All items will be printed at the size intended by Office Star Products. Finish trim size is 8 1/2" X 11"
3. All Items will be printed on a printing press unless other arrangements are made before printing.
4. Paper should be white, at least 80# gloss text and coated both sides.
5. Failure to follow these rules could result in back charges from Office Star Products.