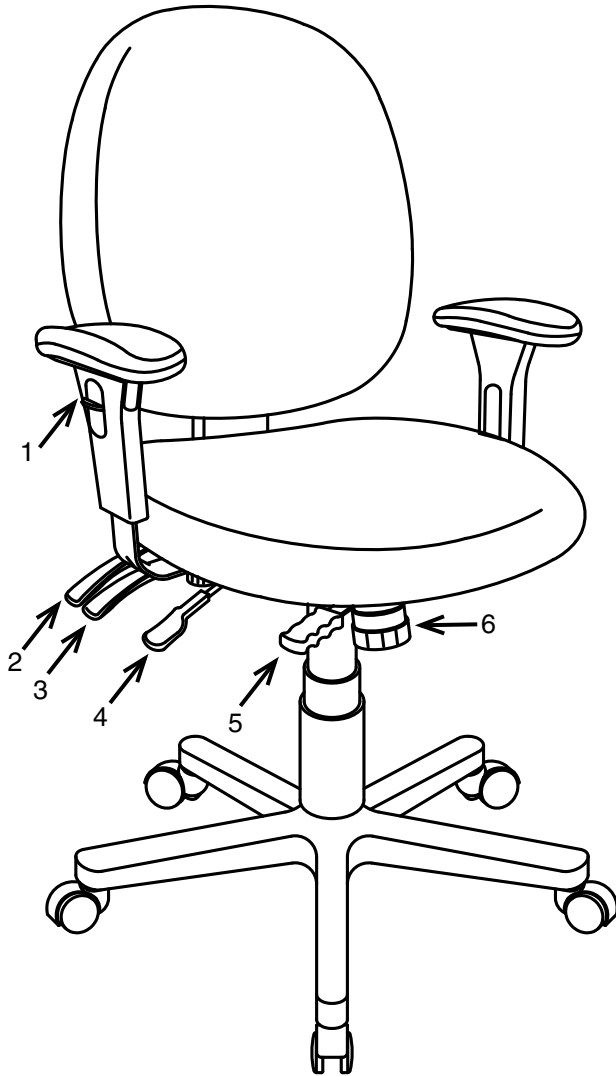


## 43891 MULTI-FUNCTION ERGONOMIC CHAIR OPERATING INSTRUCTIONS



### FEATURES

#### • HEIGHT ADJUSTMENT

To raise seat remove pressure from seat and lift lever (4). To lower seat height sit on chair and lift lever (4).

**NOTE:** It is normal for chair to slightly lower under body weight.

#### • SEAT/BACK ANGLE ADJUSTMENT AND FORWARD TILT

To adjust Seat/Back angle, lift lever (3) leave lever up for free float or push lever down to lock. For forward tilt lean back with lever (3) in the down position and push lever (5) forward. Lift lever (3) and the seat will tilt forward for keyboard intensive activities.

#### • ARM HEIGHT ADJUSTMENT

Push button (1) in to allow the arms to move up and down freely release button (1) when desired height is reached.

#### • BACK REST ANGLE ADJUSTMENT

To adjust back angle lift lever (2). Leave lever up for free float or push lever down to lock at any angle.

#### • TENSION ADJUSTMENT

For individual comfort, this chair has been equipped with an adjustment that will allow the user to change the tension of the tilting feature. Turn knob (6) clockwise to increase tension & counter clockwise to decrease or ease tension.

### WARNING

1. Use this product only one person at a time.
2. Do not use this chair unless all bolts screws and knobs are securely tightened.
3. Check that all bolts screws and knobs are tight every three months or as needed.
4. Do not overturn back tilt knob when decreasing tension.
5. Dispose of packing material properly. Do not use plastic cover as head covering. It may cause suffocation.
6. Do not use chair as a stepladder.
7. Use this chair for its intended purpose only.
8. Use mild detergent only for cleaning.

### LIMITED WARRANTY

Work Smart chairs are warranted from the date of purchase against failure due to material and workmanship as follows:

- 15 Years on all non-moving metal parts.
- 5 Years on component parts including Control mechanisms, pneumatic cylinders, wood, plastic parts, base and casters.
- 3 Years on upholstery fabric and foam against wear and deterioration.

To make a warranty claim, contact Parts Department. Provide model number, proof of purchase, description of the problem and obtain return authorization. At it's option Office Star Products will:

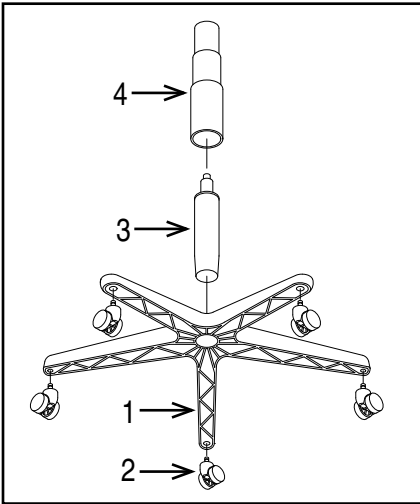
- (a) Supply compatible components of current manufacture.
- (b) Repair the customer's component. The customer must prepay freight on any components returned to the factory. Return freight on components still in warranty will be paid by Office Star Products.

*\*All warranties are limited to the original purchaser for normal commercial usage defined as a standard forty hour work week by persons weighing 250 lbs. or less. This warranty will not cover labor, freight or damage from misuse, abuse, negligence, alteration, accident, vandalism, rusting, acts of nature or any other event beyond the control of Office Star Products. The warranty does not cover cosmetic damage that may result from normal use. Liability for incidental or consequential damages is excluded. The user assumes all risk of injury resulting from use of this product. When usage is more than 40 hours per week, a two year warranty on all parts applies. Fabric and foam is warranted for one year. This warranty gives you specific legal rights, and you may also have other rights which vary from state to state.*

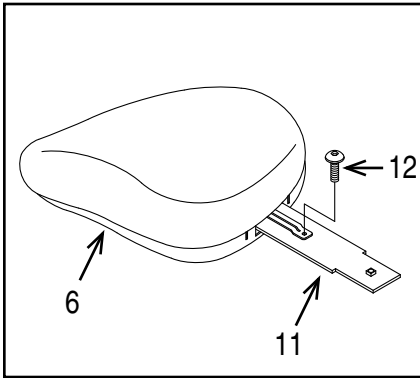
Our quality standards are among the highest in the industry. Sometimes, no matter how hard we try, there are times when parts are damaged or missing. Our Parts Department will do everything possible to promptly remedy the problem. Contact us via e-mail [parts@officestar.net](mailto:parts@officestar.net), by Fax 1-909-930-5629, or toll free parts number 1-800-950-7262, Monday through Friday 8:00 a.m. - 5:00 p.m. Pacific Time.

## 43891 MULTI-FUNCTION ERGONOMIC CHAIR ASSEMBLY INSTRUCTIONS

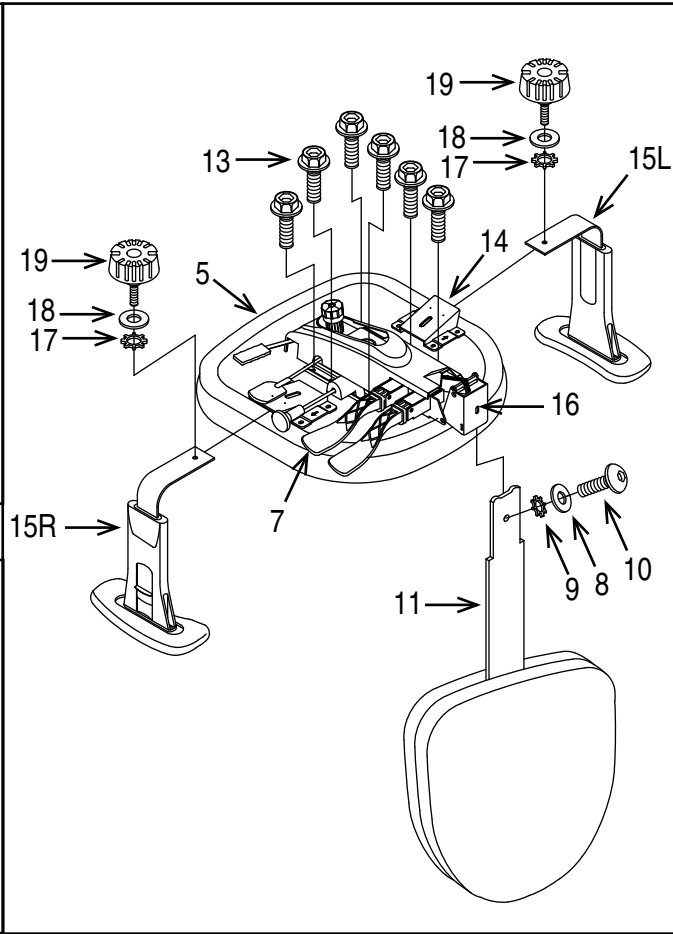
### STEP 1



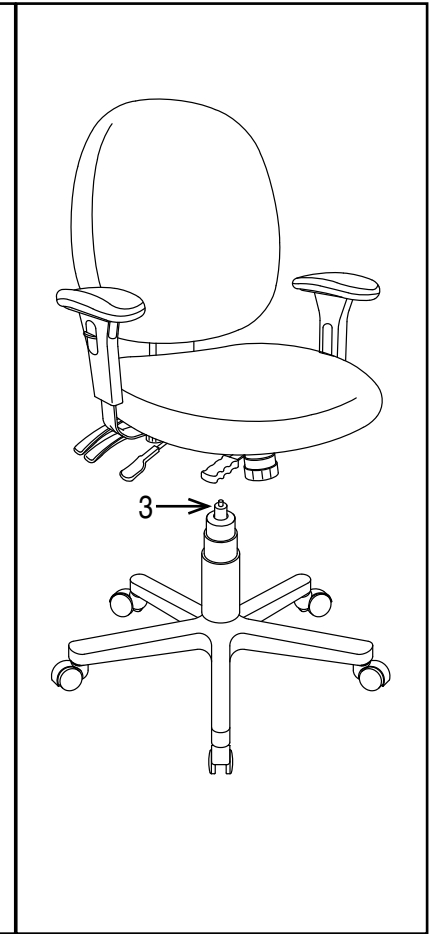
### STEP 2



### STEP 3



### STEP 4



Remove all parts from carton, separate by part numbers indicated on parts list, and verify part quantities.

**STEP 1** Insert five Casters (2) into Base (1), push hard until you feel or hear the Caster (2) snap into place. Insert Pneumatic Cylinder (3) into Base (1). Slip Bellows (4) over Pneumatic Cylinder (3).

**STEP 2** Attach Back Cushion Post (11) to Back Cushion (6) using Back Support Screw (12).

**FULLY TIGHTEN SCREW USING ALLEN WRENCH (20).**

**STEP 3** Attach Arms (15L & 15R) to Arm Brackets (14) using one Arm Knob (19), one Flat Washer (18) and one Star Washer (17) for each arm. **TIGHTEN BOTH ARM KNOBS (19) COMPLETELY.** Attach Mechanism (7) to Seat Cushion (5) using six Mechanism Screws (13). **FULLY TIGHTEN SCREW USING ALLEN WRENCH (20).**

**STEP 4** Insert Back Cushion Post (11) into Back Support (16) and secure using Back Cushion Bolt (10), Flat Washer (8) and Star Washer (9). **FULLY TIGHTEN BACK CUSHION BOLT (10) USING ALLEN WRENCH (20).**

**STEP 5** Place the assembled seat on Pneumatic Cylinder (3) and apply downward pressure.

**ATTENTION: MAKE SURE ALL SCREWS ARE FULLY TIGHTENED BEFORE USING CHAIR.**

PART	QTY
1. Base	1
2. Casters	5
3. Pneumatic Cylinder	1
4. Bellows	1
5. Seat Cushion	1
6. Back Cushion	1
7. Mechanism	1
8. Flat Washer	1
9. Star Washer	1
10. Back Cushion Bolt	1
11. Back Cushion Post	1
12. Back Support Screw	1
13. Mechanism Screw	6
14. Arm Bracket (pre-installed)	2
15. Arms Left (15L) Right (15R)	2
16. Back Support (Pre-Installed)	1
17. Star Washer	2
18. Flat Washer	2
19. Arm Knob	2
20. Allen Wrench (M5 & M6 Not Shown)	2