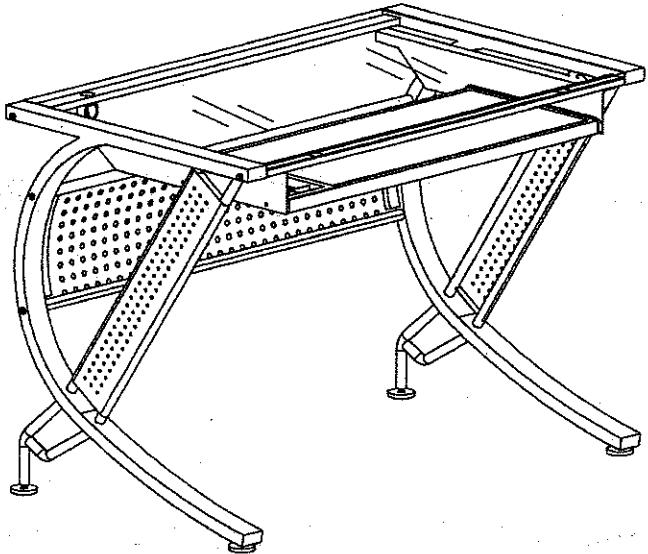


THANK YOU FOR PURCHASING OUR PRO-LINE II

## HORIZON

Computer Desk  
HZN25



Weight Limit  
75lbs

### LIMITED WARRANTY

*Pro-Line II chairs are warranted\* from the date of purchase against failure due to material and workmanship as follows:*

- Lifetime on component parts including pneumatic cylinder, control mechanism, base and casters.
- 3 Years on upholstery fabric and foam against wear and deterioration.

To make a warranty claim, contact Parts Department. Provide model number and description of the problem and obtain return authorization.

At its option Office Star Products will:

- (a) Supply compatible components of current manufacture.
- (b) Repair the customer's component. The customer must prepay freight on any components returned to the factory. Return freight on components still in warranty will be paid by Office Star Products.

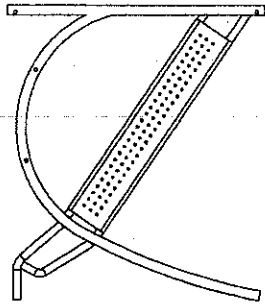
*\*All warranties are limited to the original purchaser for normal commercial usage defined as a standard forty hour work week. This warranty will not cover labor, freight or damage from misuse, abuse, negligence, alteration, accident, vandalism, rusting, acts of nature or any other event beyond the control of Office Star Products. The warranty does not cover cosmetic damage that may result from normal use. Liability for incidental or consequential damages is excluded. The user assumes all risk of injury resulting from use of this product. When usage is more than 40 hours per week, a five year warranty on all parts applies. Fabric and foam is warranted for one year. This warranty gives you specific legal rights, and you may also have other rights which vary from state to state.*

Our quality standards are among the highest in the industry. Sometimes, no matter how hard we try, there are times when parts are damaged or missing. Our Parts Department will do everything possible to promptly remedy the problem. Contact us via e-mail [parts@officestar.net](mailto:parts@officestar.net), by Fax 1-909-930-5629, or toll free parts number 1-800-950-7262, Monday through Friday 8:00 a.m. - 5:00 p.m. Pacific Time.

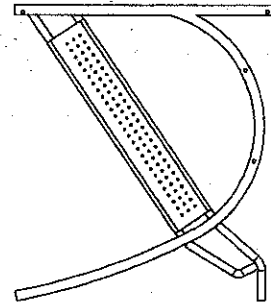
*P*ro-Line II

### Assembly Instructions - Important:

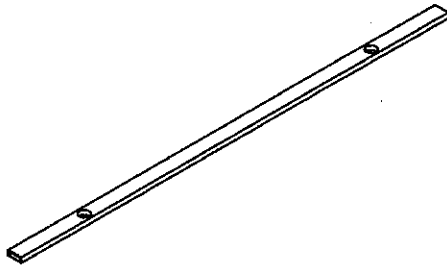
Carefully unpack and identify each component before attempting to assemble. Refer to parts list. Please take care when assembling the unit and always set the parts on a clean, soft surface. If you require any assistance with assembly, parts or information on other products, please visit our website: [www.avesix.com](http://www.avesix.com), email or write us.



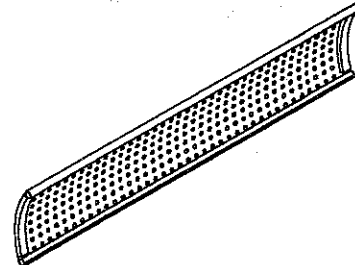
1 (Left Side Frame) - 1 Piece



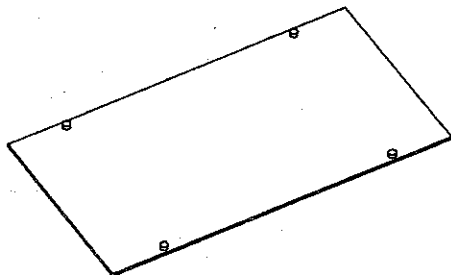
2 (Right Side Frame) - 1 Piece



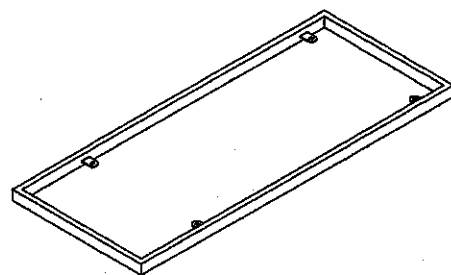
3 (Cross Bar) - 2 Piece



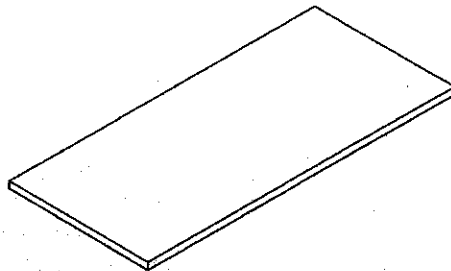
4 (Privacy Panel) - 1 Piece



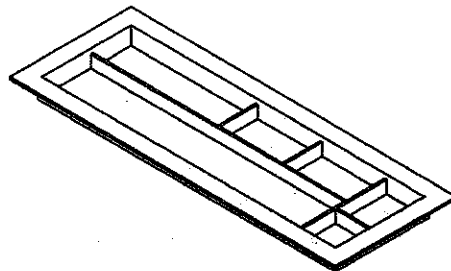
5 (Glass Top) - 1 Piece



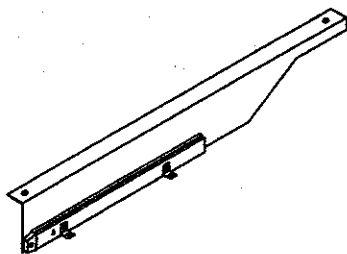
6 (Keyboard Tray Frame) - 1 Piece



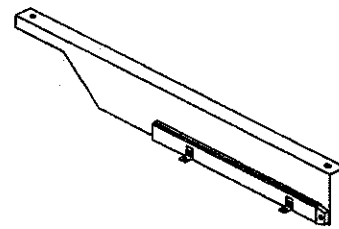
7 (Keyboard Top) - 1 Piece









8 (Keyboard Tray) - 1 Piece



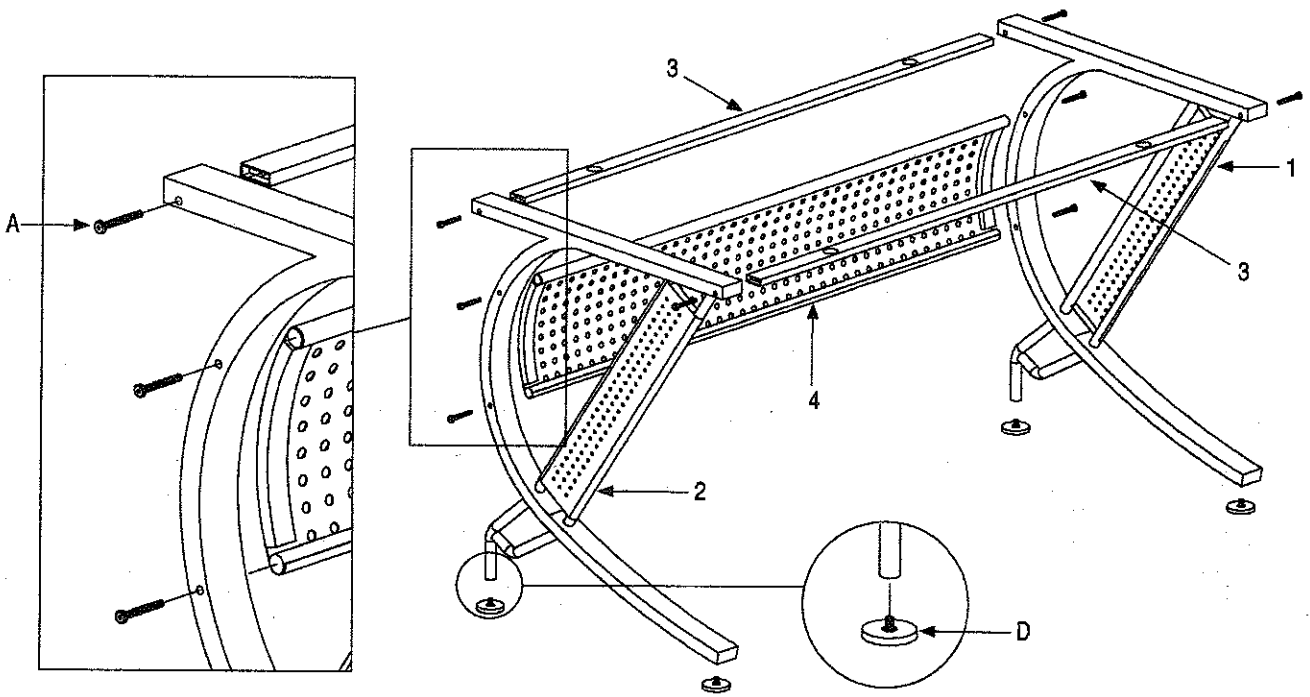
9 (Left Glide) - 1 Piece



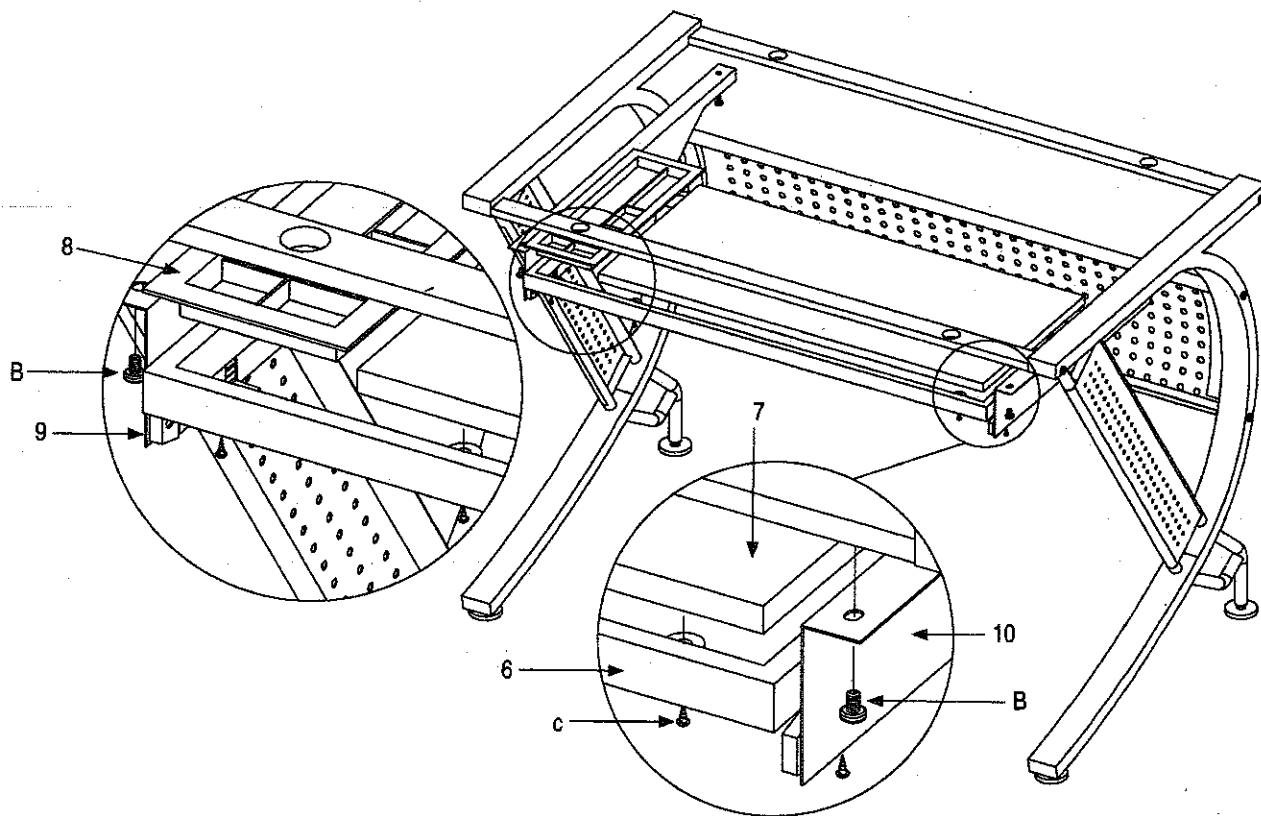
10 (Right Glide) - 1 Piece

HARDWARE LIST			
A		LARGE ALLEN BOLT	8 PCS
B		SMALL ALLEN BOLT	8 PCS
C		SMALL SCREW	8 PCS
D		FLOOR LEVELER	4 PCS
E		CORD CLIP	2 PCS
F		ALLEN WRENCH	1 PC

Step 1



Step 2



Step 3

