



FEATURES

- **PNEUMATIC SEAT HEIGHT ADJUSTMENT**
To raise seat remove pressure from seat and lift lever (1).
To lower seat height sit on chair and lift lever(1).
- **BACKREST ANGLE ADJUSTMENT**
To adjust back angle lift lever (2). Leave lever up for free float or push lever down to lock at any angle.
- **SEAT/BACK ANGLE ADJUSTMENT AND FORWARD TILT**
To adjust Seat/Back angle lift lever (3). Leave lever up for free float or push lever down to lock. For forward tilt lean back with lever (3) in the down position and push lever (4) forward. Lift lever (3) and the seat will tilt forward for keyboard intensive activities.
- **BACK HEIGHT ADJUSTMENT**
To adjust the height of the backrest lift upward. Once backrest reaches its highest position it returns to the bottom to be moved upward again.
- **TILT TENSION ADJUSTMENT**
For individual comfort, this chair has been equipped with an adjustment that will allow the user to change the tension of the tilting feature. Turn knob (5) clockwise to increase tension and counter-clockwise to decrease or ease the tension.

NOTE: Be careful not to loosen back tilt adjustment knob completely.

WARNING

1. Use this product only one person at a time.
2. Do not use this chair unless all bolts screws and knobs are securely tightened.
3. Check that all bolts screws and knobs are tight every six months or as needed.
4. Do not overturn back tilt knob when decreasing tension.
5. Dispose of packing material properly. Do not use plastic cover as head covering. It may cause suffocation.
6. Do not use chair as a stepladder.
7. Use this chair for its intended purpose only.
8. Use mild detergent only for cleaning.

WARRANTY

Pro-Line II chairs are warranted* from the date of purchase against failure due to material and workmanship as follows:

- Lifetime on component parts including pneumatic cylinder, control mechanism, base and casters.
- 3 Years on upholstery fabric and foam against wear and deterioration.

To make a warranty claim, contact Parts Department. Provide model number and description of the problem and obtain return authorization.

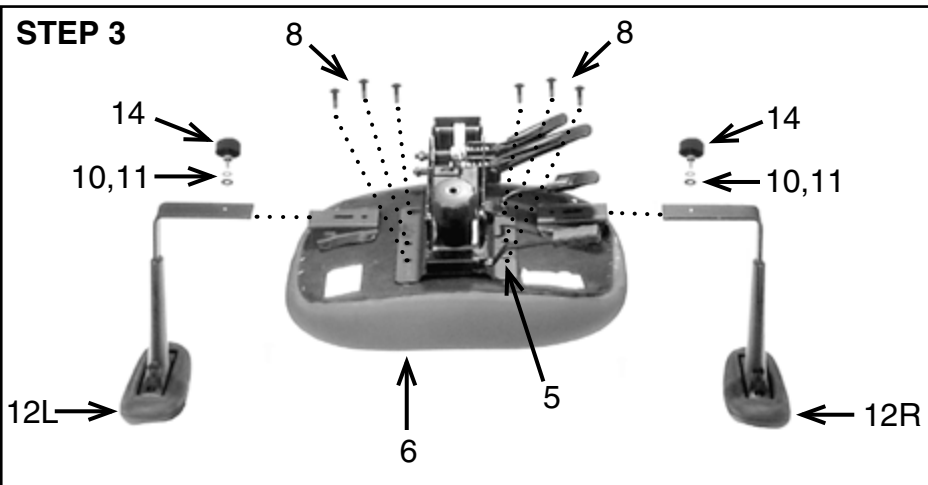
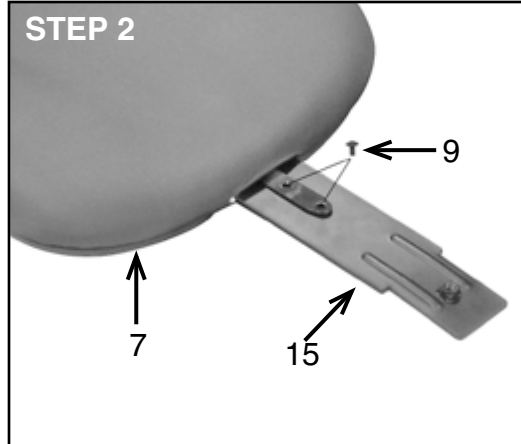
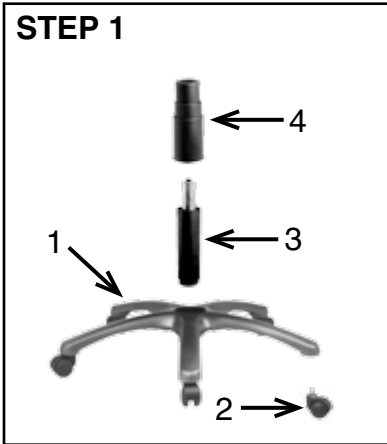
At it's option Office Star Products will:

- (a) Supply compatible components of current manufacture.
 - (b) Repair the customer's component. The customer must prepay freight on any components returned to the factory.
- Return freight on components still in warranty will be paid by Office Star Products.

*All warranties are limited to the original purchaser for normal commercial usage defined as a standard forty hour work week by persons weighing 250 lbs. or less. This warranty will not cover labor, freight or damage from misuse, abuse, negligence, alteration, accident, vandalism, rusting, acts of nature or any other event beyond the control of Office Star Products. The warranty does not cover cosmetic damage that may result from normal use. Liability for incidental or consequential damages is excluded. The user assumes all risk of injury resulting from use of this product. When usage is more than 40 hours per week, a five year warranty on all parts applies. Fabric and foam is warranted for one year. This warranty gives you specific legal rights, and you may also have other rights which vary from state to state.

All Proline II chairs are built to meet or exceed ANSI BIFMA standards.

Our quality standards are among the highest in the industry. Sometimes, no matter how hard we try, there are times when parts are damaged or missing. Our Parts Department will do everything possible to promptly remedy the problem. Contact us via e-mail parts@officestart.net, by Fax 1-909-930-5629, or toll free parts number 1-800-950-7262, Monday through Friday 8:00 a.m. - 5:00 p.m. Pacific Time.



PARTS	QTY
1. Base	1
2. Casters	5
3. Pneumatic Cylinder	1
4. Bellows	1
5. Seat Plate	1
6. Seat Cushion	1
7. Back Cushion	1
8. Machine Screws	6
9. Backrest Screw	2
10. Small Flat Washers	2
11. Small Star Washers	2
12. Arms Left (12L) Right (12R)	2
13. Arm Bracket	2
14. Arm Width Adjustment Knob	2
15. Backrest Post	1
16. Backrest Bolt	1
17. Large Flat Washer	1
18. Large Star Washer	1
19. Allen Wrenches (not shown)	2
20. Tilt Adjustment Knob (Pre-Installed)	1

Phillips Screwdriver also needed for assembly (not provided)

Remove all parts from carton, separate by part numbers indicated on parts list, and verify part quantities.

STEP 1 Insert five Casters (2) into Base (1). Push hard until you hear or feel Caster (2) snap into place. Insert Pneumatic Cylinder (3) into Base (1) and slip Bellows (4) over Pneumatic Cylinder (3).

STEP 2 Secure the Backrest Post (15) to Back Cushion (7) using two Backrest Screws (9)

TIGHTEN SCREWS COMPLETELY.

STEP 3 Attach Seat Plate (5) to Seat Cushion (6) with Tilt Adjustment Knob (20) towards the front of the chair, using six Machine Screws (8). Insert Arms (12L & 12R) into Arm Brackets (13). Attach Arms (12L & 12R) to Arm Brackets (13) using two Arm Width Adjustment Knobs (14), two Small Star Washers (11) and two Small Flat Washers (10). **FULLY TIGHTEN BOTH ADJUSTMENT KNOBS.**

STEP 4 Place the assembled seat on top of Pneumatic Cylinder (3) and apply downward pressure. Insert Backrest Post (15) into back of Seat Plate (5). Attach Backrest Post (15) to Seat Plate (5) using a Backrest Bolt (16), Large Star Washer (18) and Large Flat Washer (17) **AS SHOWN IN DETAIL A. FULLY TIGHTEN BACKREST BOLT (16).**

ATTENTION: MAKE SURE ALL SCREWS, BOLTS AND KNOBS ARE FULLY TIGHTENED BEFORE USING CHAIR.



DETAIL A

