



FEATURE

• ARM HEIGHT ADJUSTMENT

To adjust arm height, push button (1) in to allow the arms to move up or down freely. Release the button (1) once the desired height is reached.

WARNING

1. Use this product only one person at a time.
2. Do not use this chair unless all screws are securely tightened.
3. Check that all bolts screws and knobs are tight every three months or as needed.
5. Dispose of packing material properly. Do not use plastic cover as head covering. It may cause suffocation.
6. Do not use chair as a stepladder.
7. Use this chair for its intended purpose only.
8. Use mild detergent only for cleaning.

LIMITED WARRANTY

SPACE[®] chairs are warranted* from the date of purchase against failure due to material and workmanship as follows:

- Lifetime on component parts including pneumatic cylinder, control mechanism, base and casters.
- 3 Years on upholstery fabric and foam against wear and deterioration.

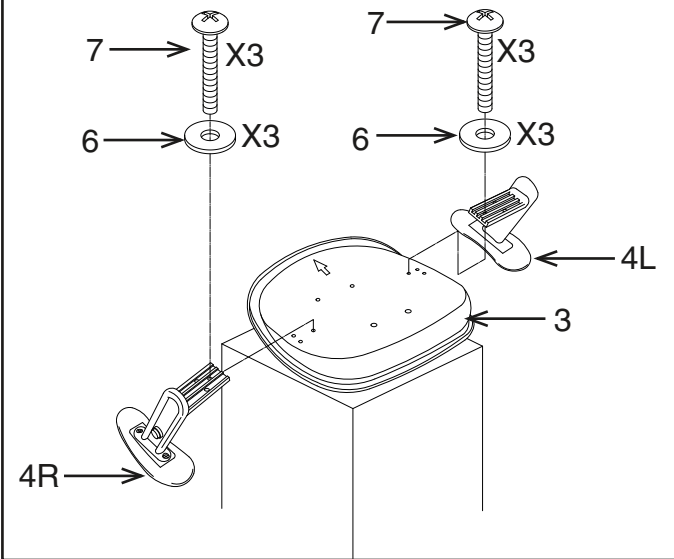
**All warranties are limited to the original purchaser for normal commercial usage defined as a standard forty hour work week by persons weighing 250 lbs. or less. This warranty will not cover labor, freight or damage from misuse, abuse, negligence, alteration, accident, vandalism, rusting, acts of nature or any other event beyond the control of Office Star Products. The warranty does not cover cosmetic damage that may result from normal use. Liability for incidental or consequential damages is excluded. The user assumes all risk of injury resulting from use of this product. When usage is more than 40 hours per week, a five year warranty on all parts applies. Fabric is warranted for one year. This warranty gives you specific legal rights, and you may also have other rights which vary from state to state.*

To make a warranty claim, contact Parts Department via e-mail parts@officestar.net, by Fax 1-909-930-5629, or toll free parts number 1-800-950-7262, Monday through Friday 8:00 a.m. - 5:00 p.m. Pacific Time. Provide model number and description of the problem and obtain confirmation number. At it's option Office Star Products will:

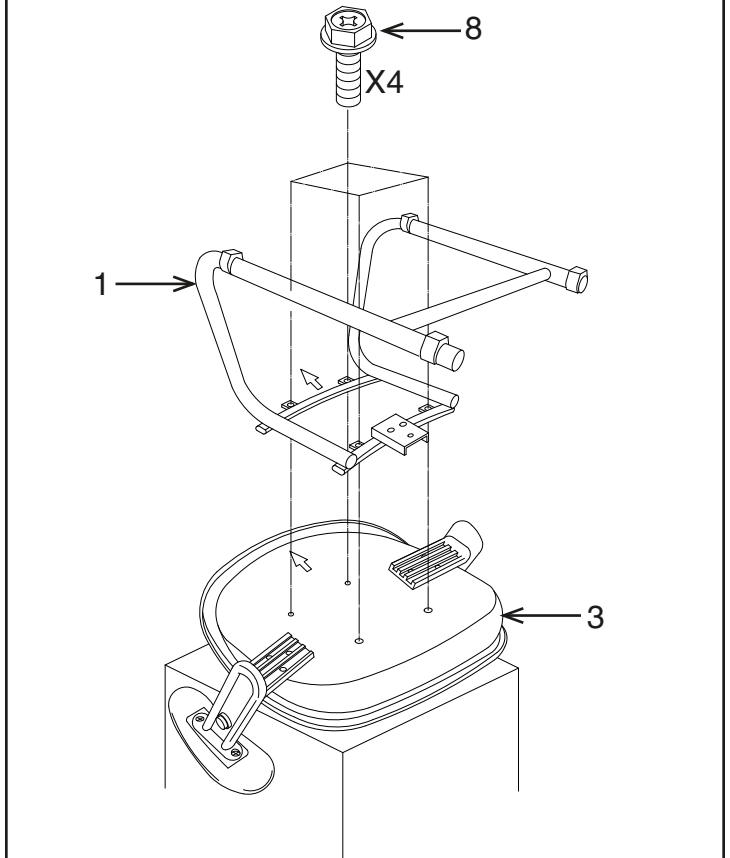
- (a) Supply compatible components of current manufacture.
- (b) Repair the customer's component.

It is the customer's responsibility to prepay freight on any components returned to the factory. Return freight on components covered by warranty will be paid by Office Star Products.

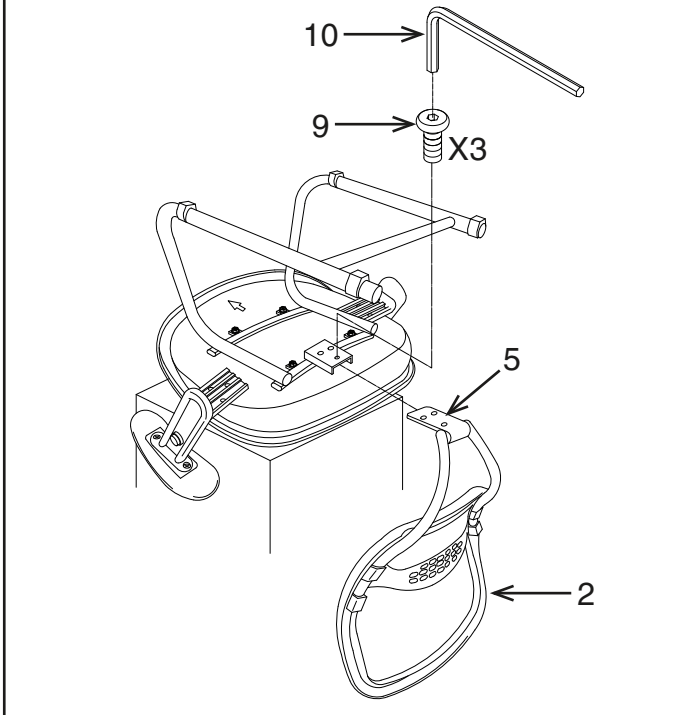
STEP 1



STEP 2



STEP 3



PART	QTY
1. Sled Base	1
2. Back Assembly	1
3. Seat Cushion	1
4. Arms (4L & 4R)	2
5. Back Support (pre-installed)	1
6. Flat Washer	6
7. Phillips Head Screw	6
8. Hex Head Phillips Screw	4
9. Allen Screw	3
10. Allen Wrench	1

Phillips Screwdriver also needed
for assembly (not provided)

Remove all parts from carton, separate by part numbers indicated on parts list, and verify part quantities.

STEP 1 Attach Arms (4L & 4R) to Seat Cushion (3), using three Flat Washers (6) and Three Phillips Head Screws (7) for each arm, **FULLY TIGHTEN ALL SCREWS USING PHILLIPS SCREWDRIVER (not provided).**

STEP 2 Attach Sled Base (1) to Seat Cushion (3) with arrow pointing towards the front of the chair, secure Sled Base (1) using four Hex Head Phillips Screws (8), **FULLY TIGHTEN ALL SCREWS USING PHILLIPS SCREWDRIVER (not provided).**

STEP 3 Attach Back Support (5) to Sled Base (1) using three Allen Screws (9), **FULLY TIGHTEN ALL SCREWS USING ALLEN WRENCH (10).**

ATTENTION: MAKE SURE ALL SCREWS ARE FULLY TIGHTENED BEFORE USING CHAIR.