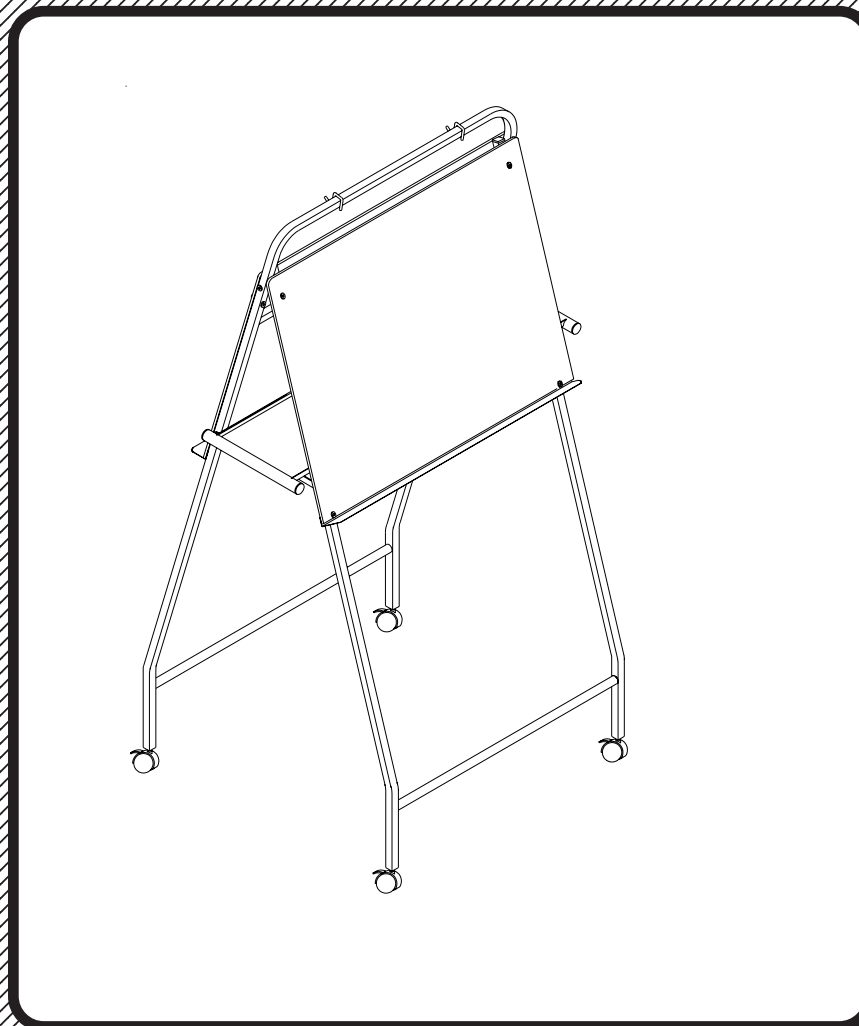




**ECO-Wheasel®**

**786/786-OT**

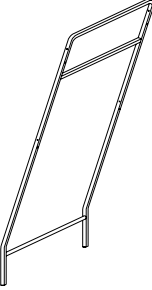
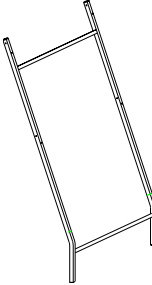

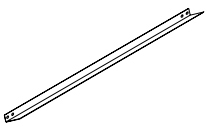
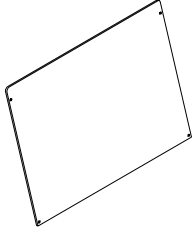
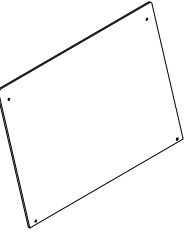
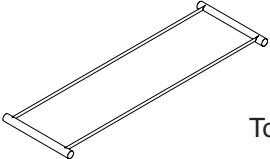

Foldable Easel on Wheels with Shelf



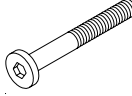
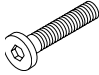
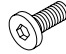
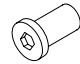





**Assembly Instructions**

# ECO-Wheasel®

## Foldable Easel on Wheels

Part	Drawing	Description	Qty
P-1		Leg (wide)	1 EA
P-2		Leg (narrow)	1 EA
P-3		Side Hinge	2 EA
P-4		Board Tray	2 EA
P-5		Marker Board (wide leg)	1 EA
P-6		Marker Board (narrow leg)	1 EA
P-7		Top Shelf	1 EA
P-8		Flip Chart Hook	2 EA

**Hardware List**

A		2" Socket Screw	2 EA
B		1 1/4" Socket Screw	4 EA
C		5/8" Socket Screw	8 EA
D		Screw Post	8 EA
E		Flat Washer	6 EA
F		Lock Nut	6 EA
G		2" Locking Caster	4 EA
H		Allen Wrench	2 EA
I		Caster Wrench	1 EA

**Tool required:** Adjustable Crescent Wrench

***Should you require assistance during assembly, please call our Customer Service Department Monday - Friday 8 a.m. - 5 p.m. Central Standard Time Toll-Free Customer Service 1-800-749-2258***

# ECO-Wheasel<sup>®</sup>

## 786/786-OT

### Assembly Instructions

**READ THROUGH INSTRUCTIONS FROM BEGINNING TO END BEFORE STARTING TO ASSEMBLE UNIT.**

To Assemble:

1. Identify and Separate all the Parts and Hardware.
2. Assemble Legs (P-1) and (P-2) at the top by using 2" Socket Screws (A). Place the Flat Washer (E) in between the legs and tighten the Lock Nut (F) by holding with Adjustable Crescent Wrench and rotating the Socket Screw (A) with Allen Wrench (H). See illustrations # 1 and 1a.

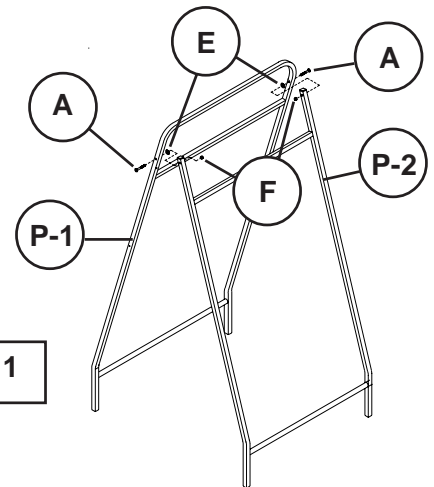


Illustration # 1

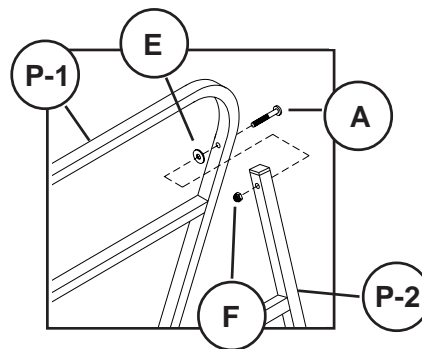


Illustration # 1a

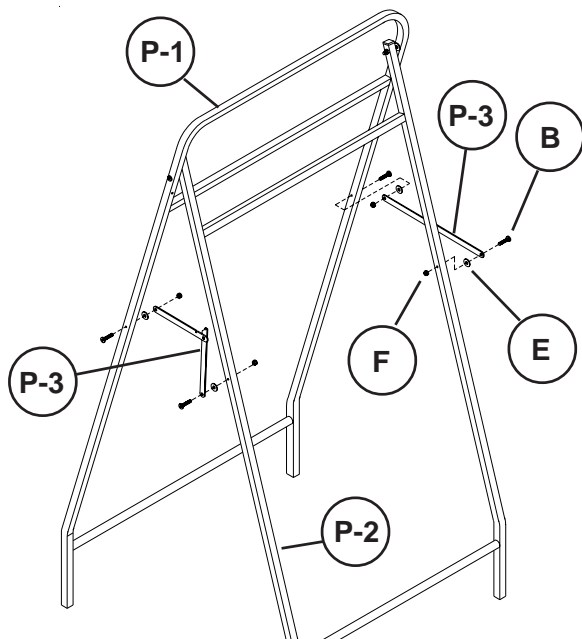
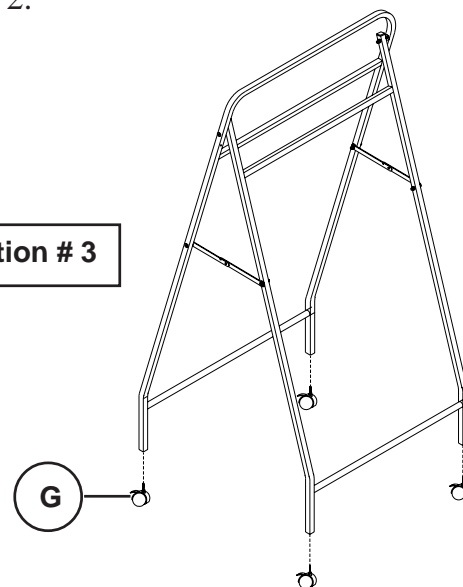


Illustration # 2

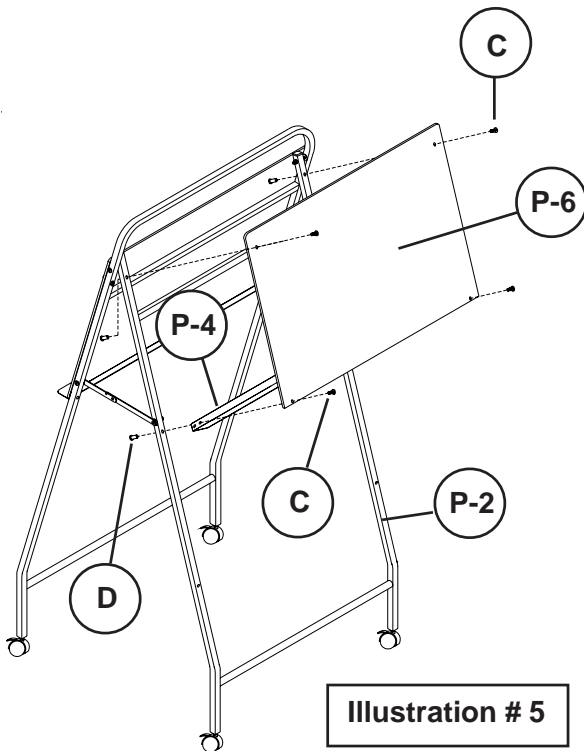
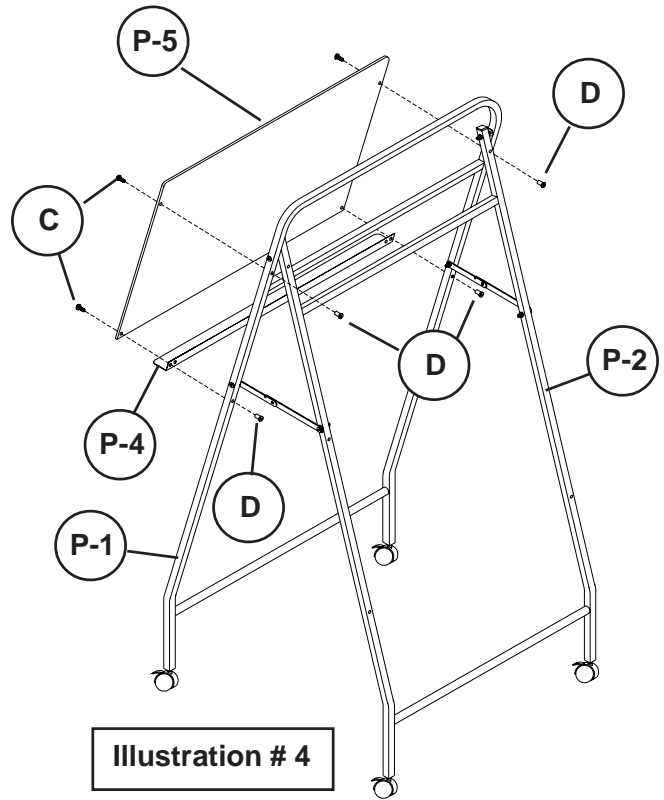
3. Assemble Side Hinges (P-3) by using 1 1/4" Socket Screw (B). Place the Flat Washer (E) in between the Side Hinge (P-3) and legs and fasten from inside with Lock Nut (F). Tighten by holding the Lock Nut (F) with the Adjustable Crescent Wrench and turn the 1 1/4" Socket Screw (B) with Allen Wrench (H). See illustrations # 2.

Illustration # 3



4. Assemble Casters (G) by turning the unit to it's side and fasten by using Caster Wrench (I). See illustrations # 3.

- Assemble Marker Board (P-5) by inserting 5/8" Socket Screw (C) through the Marker Board (P-5) and through the Board Tray (P-4). Insert board and tray through the Leg (P-1). Use the Screw Post (D) from the back of the Leg ((P-1) and tighten by using Allen Wrenches (H). See illustrations # 4.



- Assemble Marker Board (P-6) by inserting 5/8" Socket Screw (C) through the Marker Board (P-6), and Board Tray (P-4). Insert board and tray through the Leg (P-2). Use the Screw Post (D) from the back of the leg and tighten with Allen Wrenches (H). See illustrations # 5.

- Place the Top Shelf (P-7) by simply turning the shelf and sliding through the legs. Top Shelf (P-7) should rest over the Side Hinges (P-3). To place the Flip Chart Hooks (P-8) simply set the hooks over the top of the Leg (P-1) tube. See illustrations # 6.

