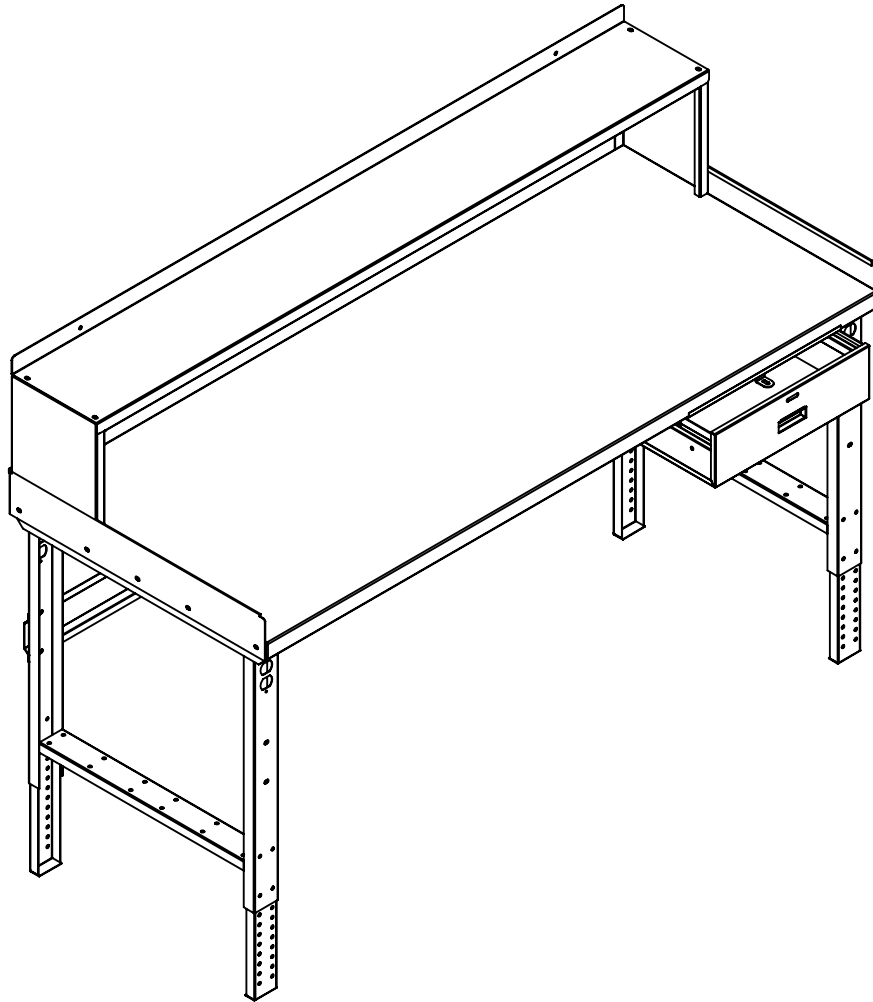


HALLOWELL - WORKBENCH



GENERAL INSTRUCTIONS

1. Check material received against the packaging list. First check the number of packages received and then check the contents of each package.
2. Check material received for damage. If damage has occurred, secure a "damage notation" from the carrier.
3. Identify each part as it is unpacked and put like parts together as close as possible to the working area in which they are to be assembled.
4. Be careful to use the correct hardware as specified in the assembly instructions.
5. Items with suffix (xx) are available

CAUTION

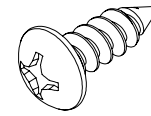
IN THE INTEREST OF SAFETY, ALL LOCKERS MUST BE SECURELY ANCHORED TO THE FLOOR AND/OR WALL. FOR SAFETY, HANDLE ALL COMPONENTS CAREFULLY AND WEAR WORK-GLOVES WHEN ASSEMBLING LOCKERS. INSTALL ALL UNITS PLUMB AND TIGHTEN ALL HARDWARE SECURELY. RETAIN INSTRUCTIONS FOR FUTURE REFERENCE.



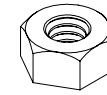
www.Hallowell-List.com
866-566-0500

WORK BENCH ASSEMBLY

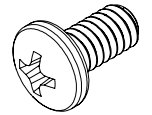
HARDWARE



A. #14X3/4



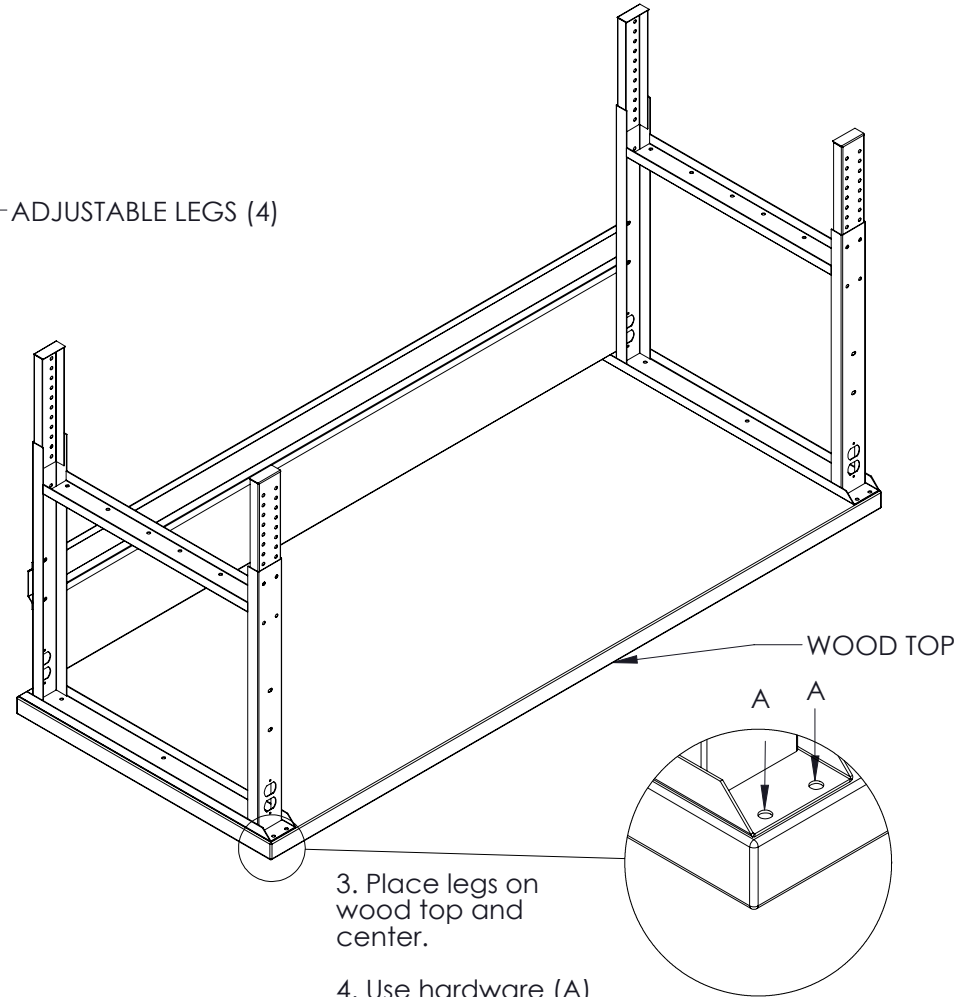
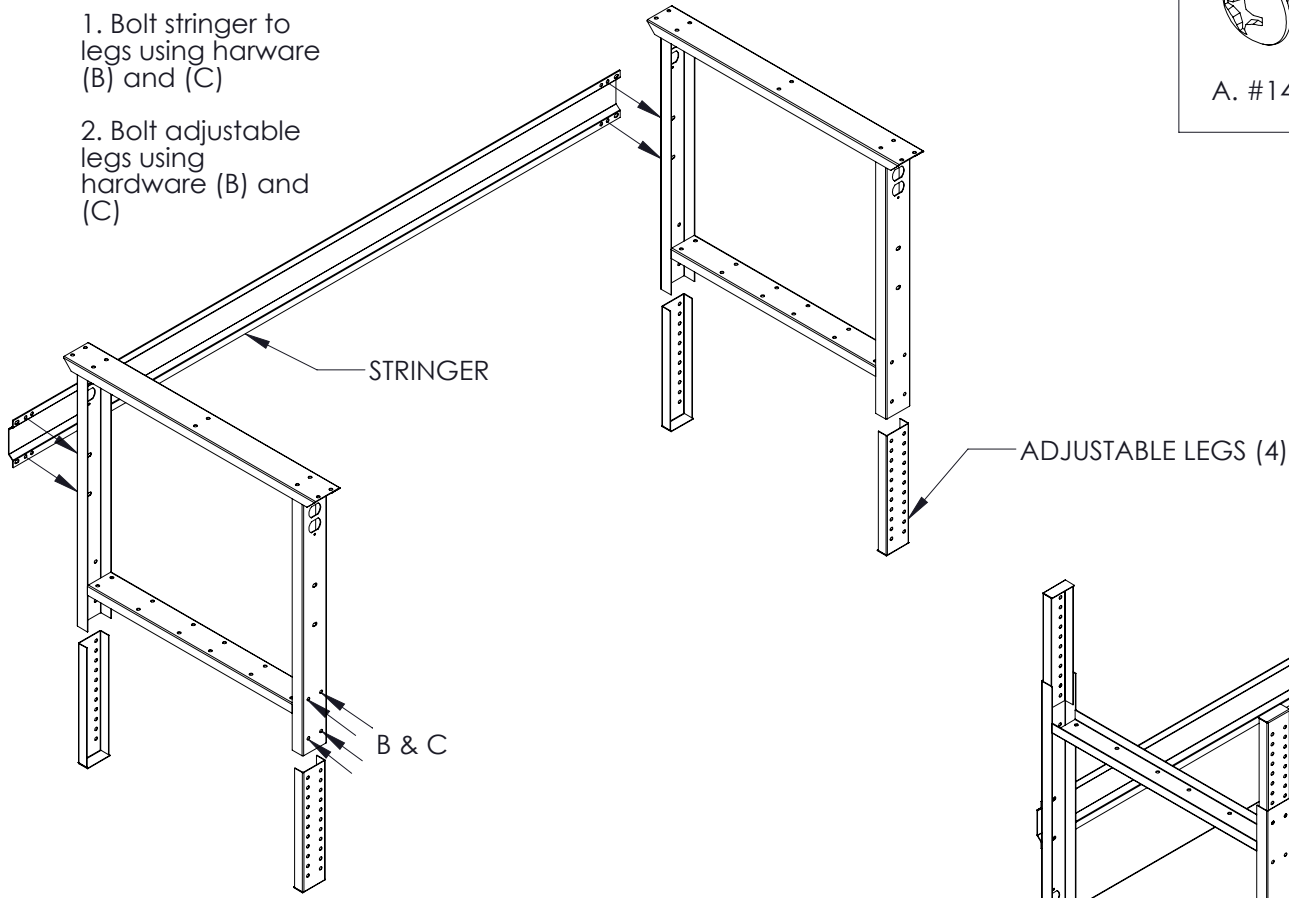
B. 1/4-20



C. 1/4-20 X 1/2

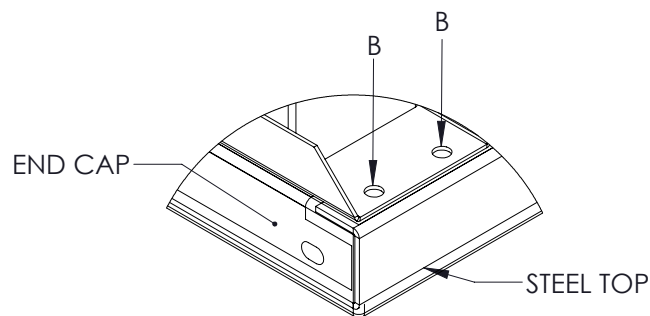
1. Bolt stringer to legs using hardware (B) and (C)

2. Bolt adjustable legs using hardware (B) and (C)



3. Place legs on wood top and center.

4. Use hardware (A) self tapping screw to attach legs to the Wood Top at 8 places.



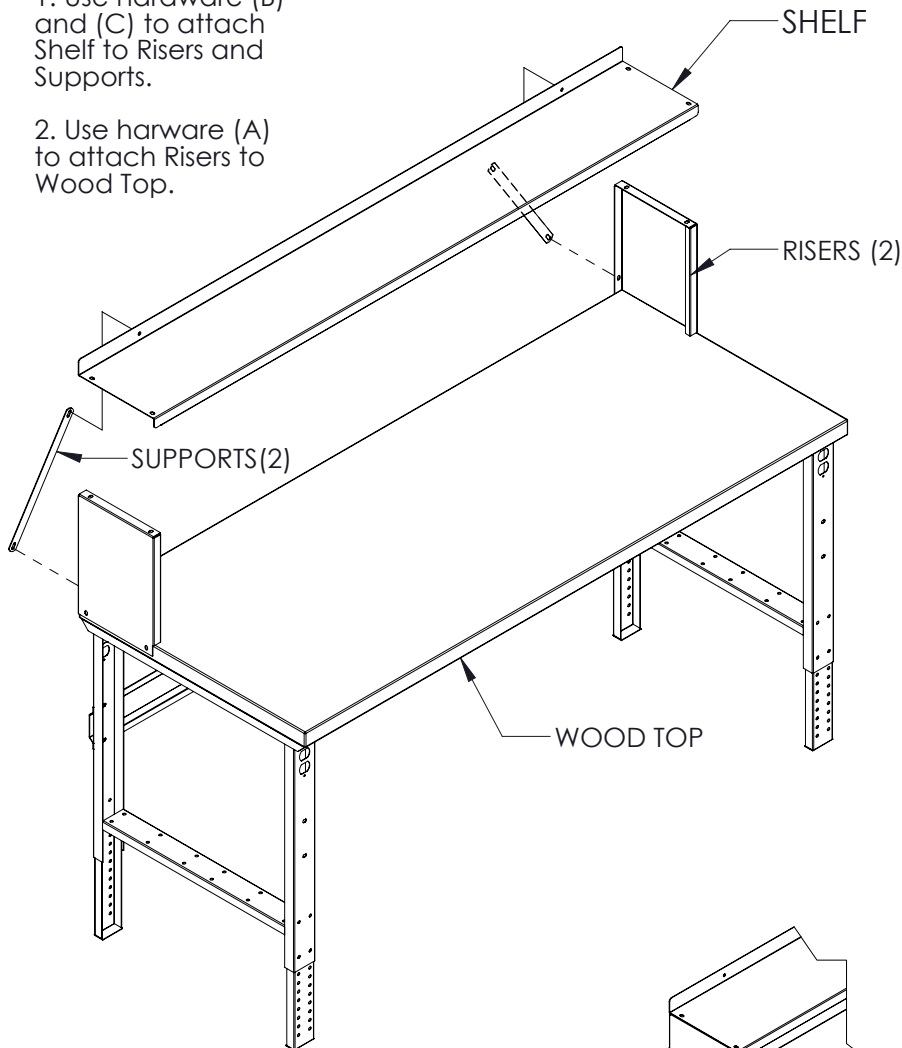
5. Use hardware (B) and (C) to attach Steel Top and End Caps to Legs.



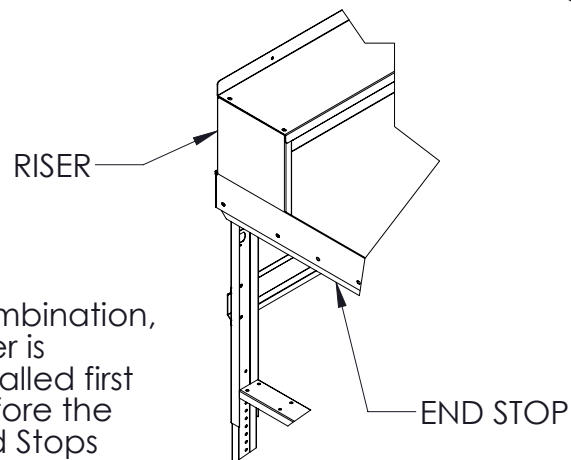
RISER ASSEMBLY

1. Use hardware (B) and (C) to attach Shelf to Risers and Supports.

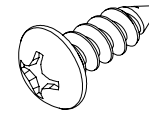
2. Use hardware (A) to attach Risers to Wood Top.



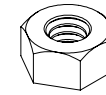
For combination, Riser is installed first before the End Stops



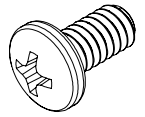
HARDWARE



A. #14X3/4

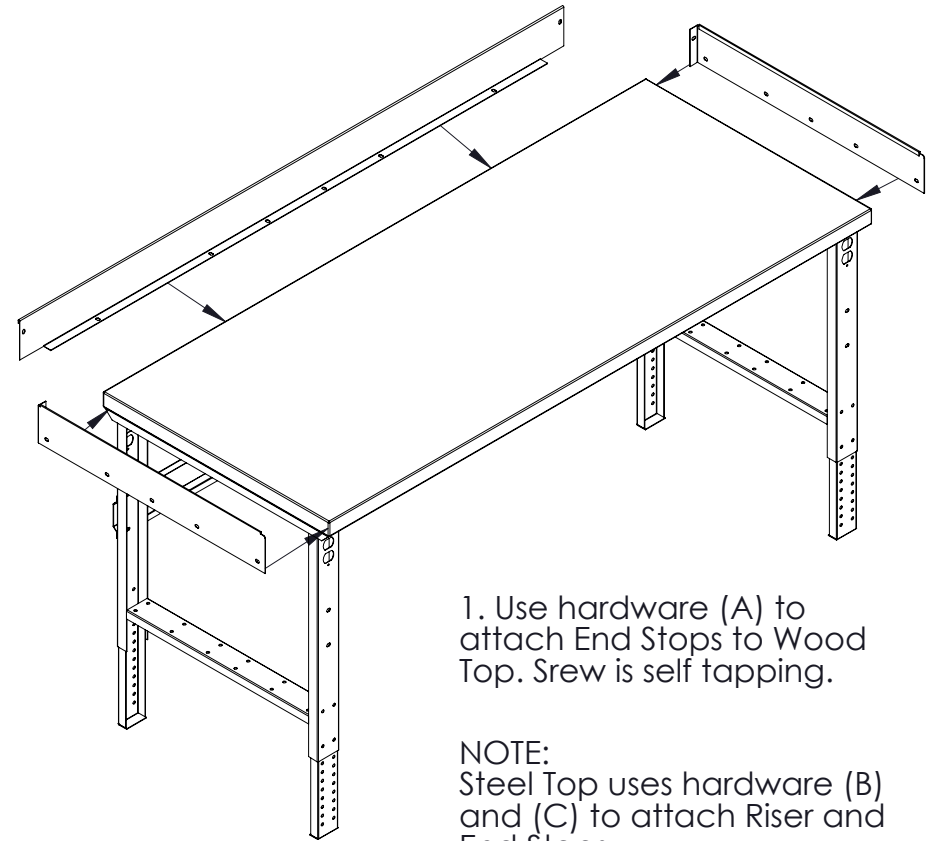


B. 1/4-20



C. 1/4-20 X 1/2

END STOP ASSEMBLY



1. Use hardware (A) to attach End Stops to Wood Top. Screw is self tapping.

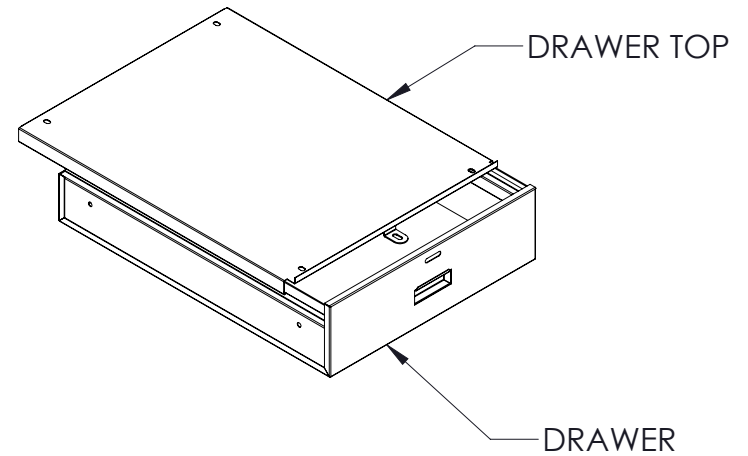
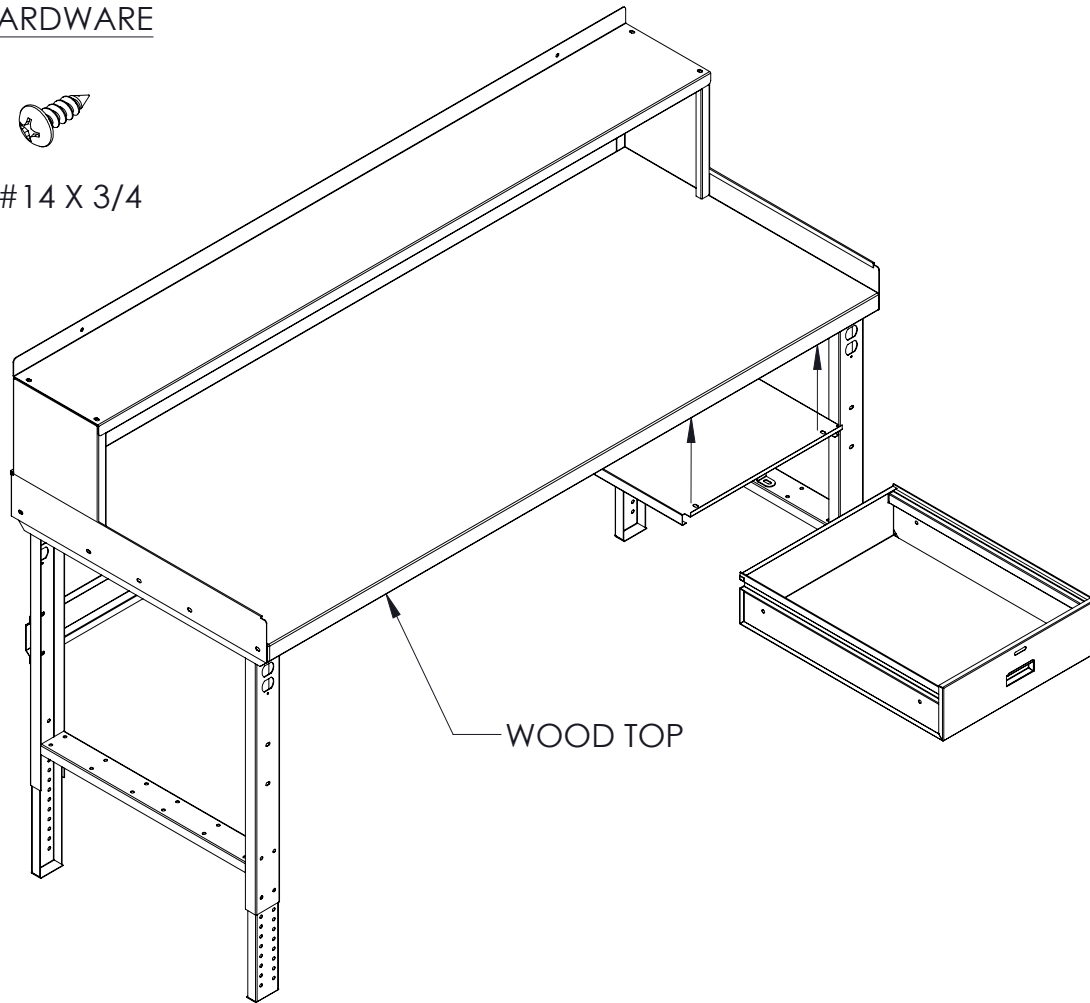
NOTE:
Steel Top uses hardware (B) and (C) to attach Riser and End Stops

DRAWER ASSEMBLY

HARDWARE



A. #14 X 3/4



1. Remove Drawer Top from Drawer.
2. Use 4 (A) screws to attach Drawer Top to the underside of the Wood Top.
3. Slide Drawer into Drawer Top.

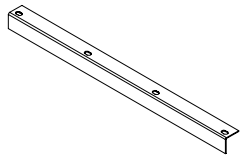
HARDWARE



B. 1/4-20

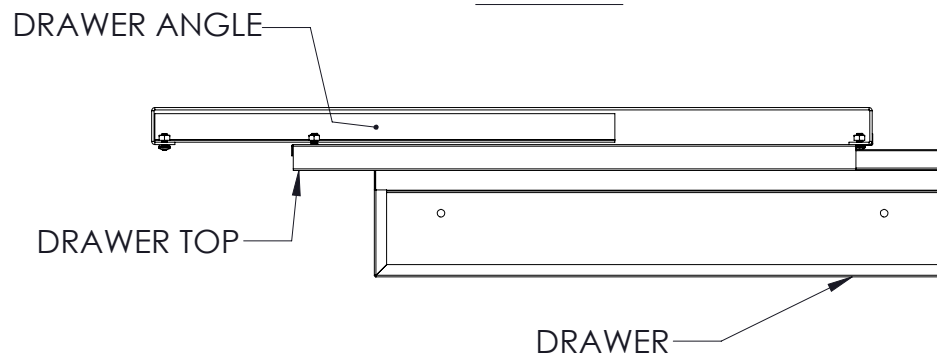


C. 1/4-20 X 1/2



DRAWER ANGLE

STEEL TOP

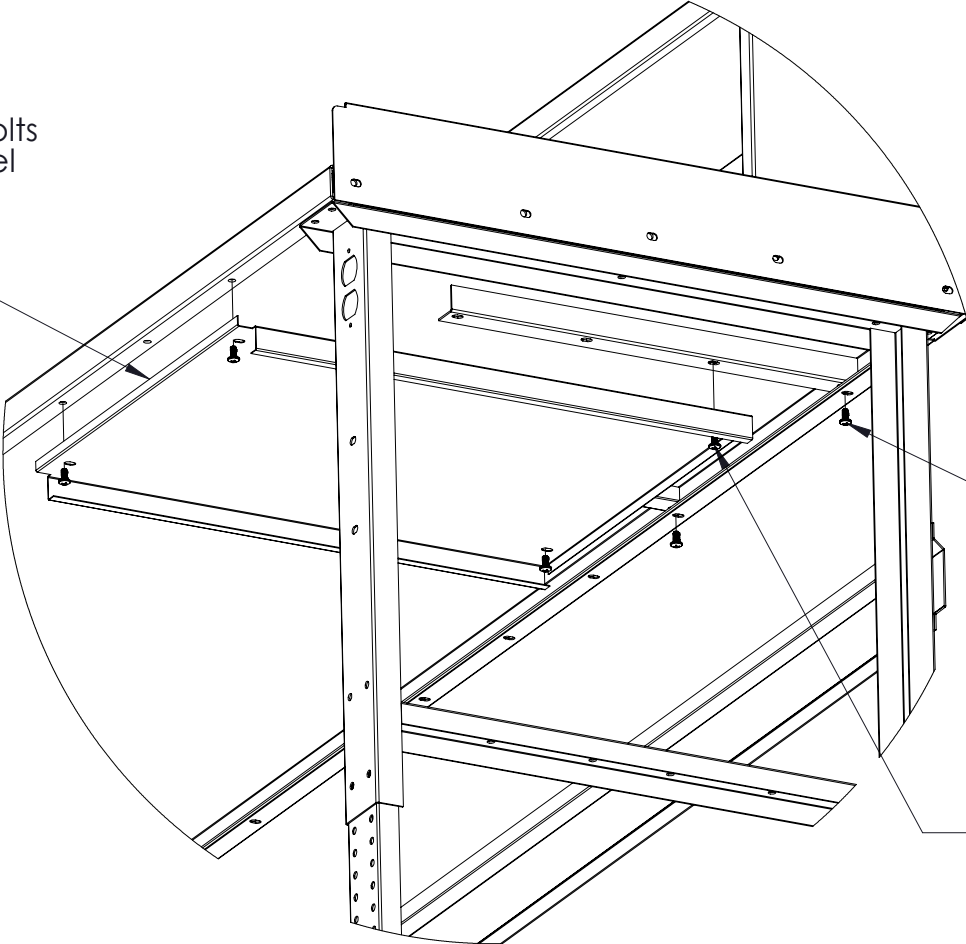


1. Bolt Drawer angle to inside of Steel Top.
2. Bolt Drawer Top to Drawer Angle and Steel Top.
3. Insert Drawer Body.

Hallowell[®]

REV A 10/11

Front of drawer top bolts to the edge of the steel table.



Back of angles get bolted to the back of the steel table.

Back of drawer top gets bolted to the front of the angle.

