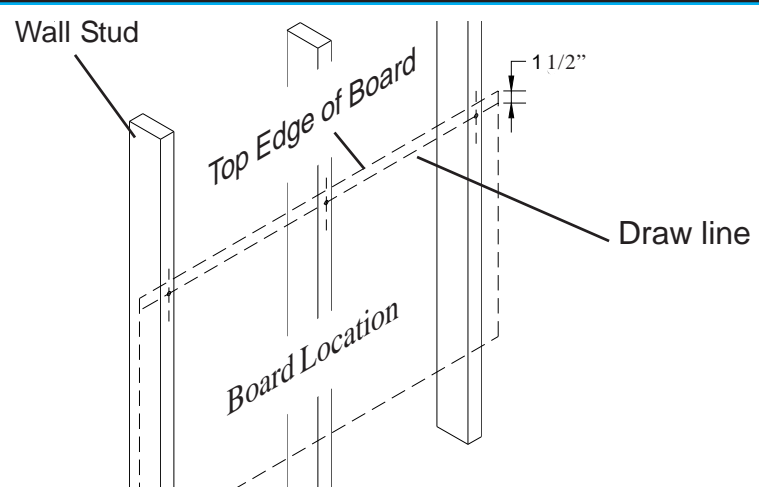
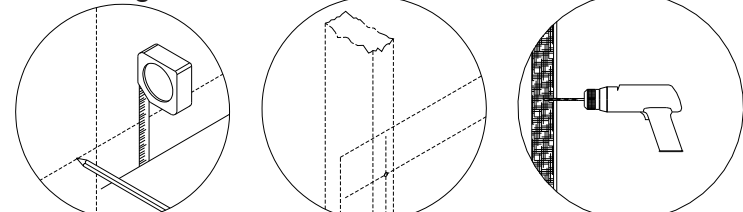


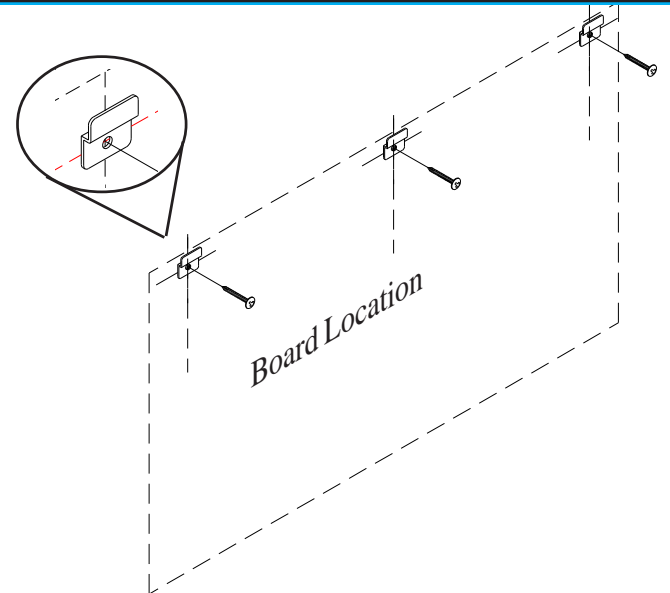
1 Locate and Drill holes for Z-Hangers.



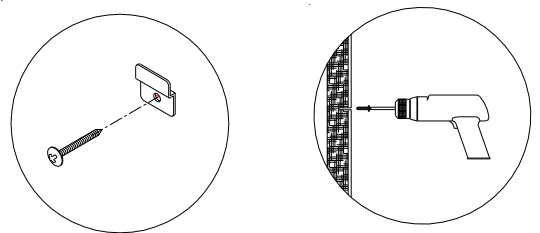
Determine board location. Measure from floor to the top edge of board. Mark with pencil line the corner location. Measure down from top edge of board 1-1/2", and draw line as shown. Locate stud near each end of board and drill pilot holes along line using 1/16" drill bit.



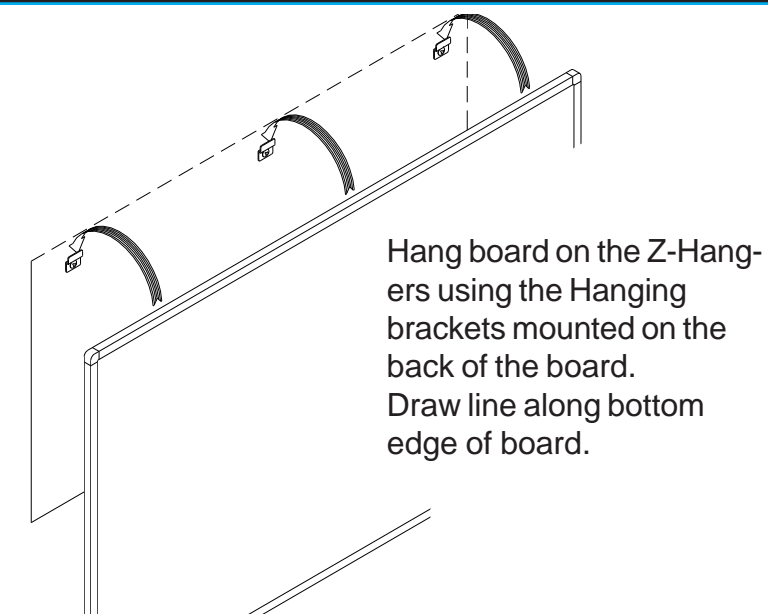
2 Attach Z-Hangers for mounting.



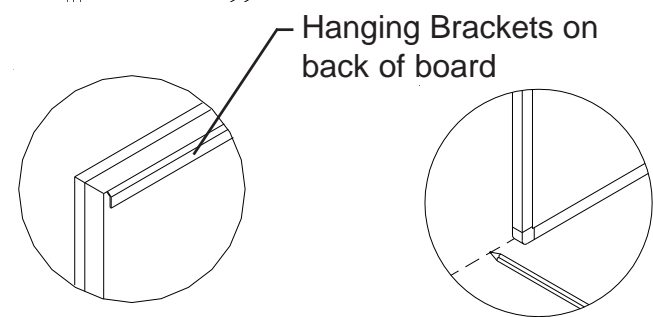
Attach 3 Z-Hangers using 3 Long Screws as shown



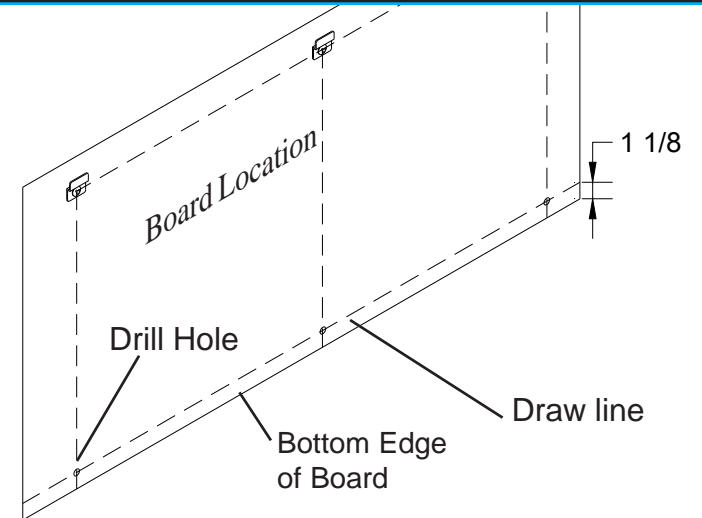
3 Hang board and mark bottom



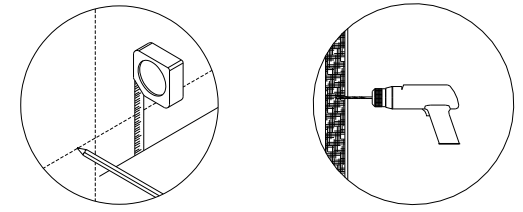
Hang board on the Z-Hangers using the Hanging brackets mounted on the back of the board. Draw line along bottom edge of board.



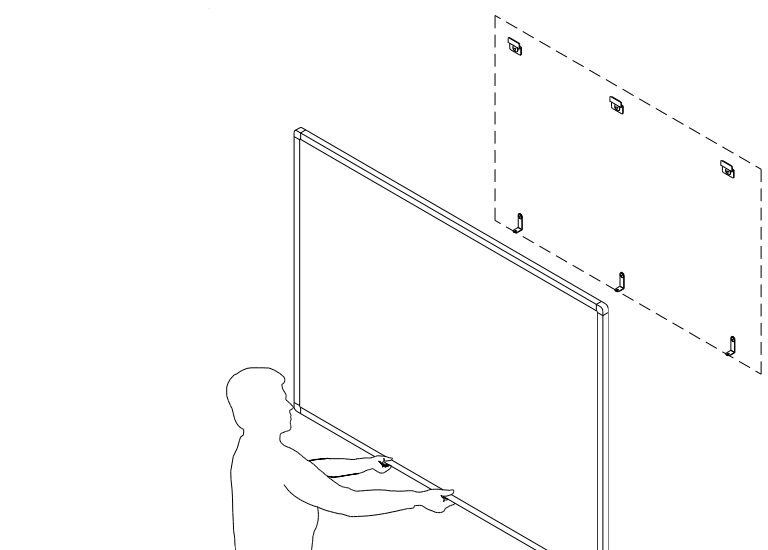
4 Remove board and drill



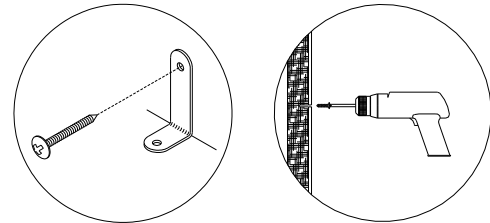
Lift and remove board from the Z-Hangers. Measure up from bottom line of board 1-1/8", and draw line as shown. Locate stud near each end of board and drill pilot hole along line using 1/16" drill bit.



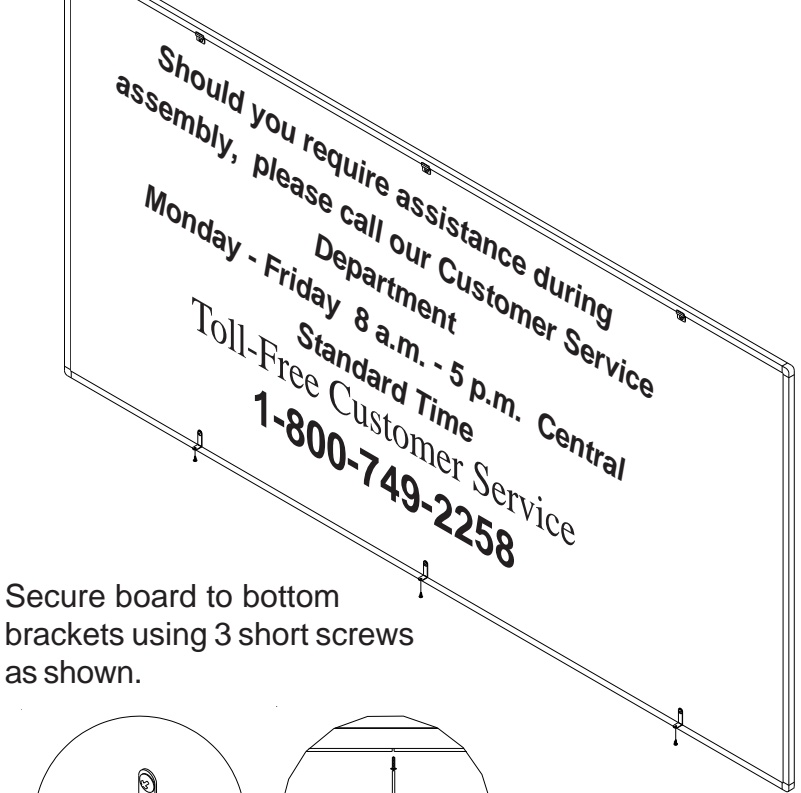
5 Attach Lower Brackets and Hang board



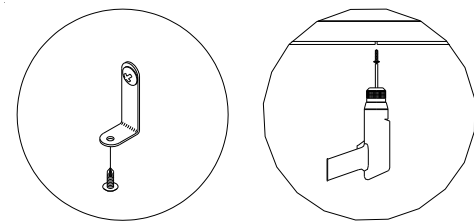
Secure 3 bottom brackets to the wall using 3 long screws as shown. Hang board on the Z-Hangers using the Hanging brackets mounted on the back of the board.



6 Secure Board




Secure board to bottom brackets using 3 short screws as shown.



Parts List		
P1	Board	1 EA

Hardware List		
A	Z Hanging Bracket	3 EA
B	Bottom Bracket	3 EA
C	Long Screw	6 EA
D	Short Screw	3 EA
E	Screw Anchor-Concrete	6 EA
F	Screw Anchor-Drywall	6 EA



**Chairman Of The Boards®
Origins-Aluminum Boards**

