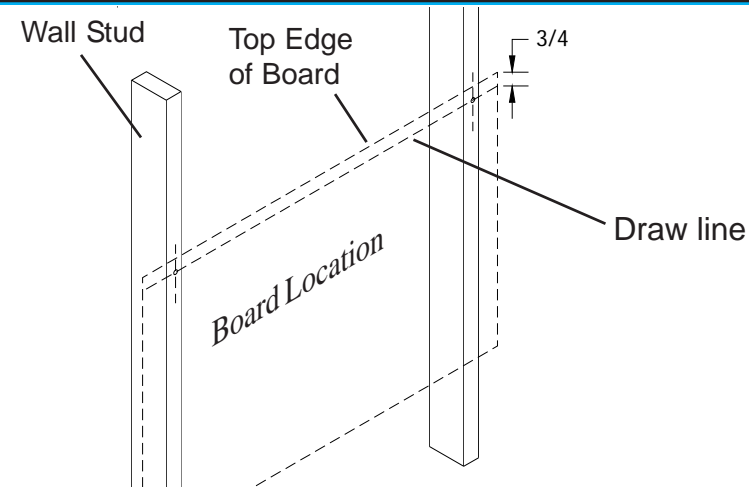
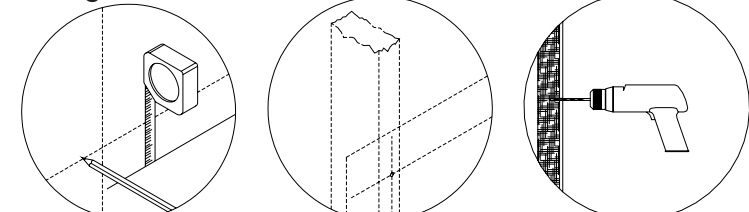


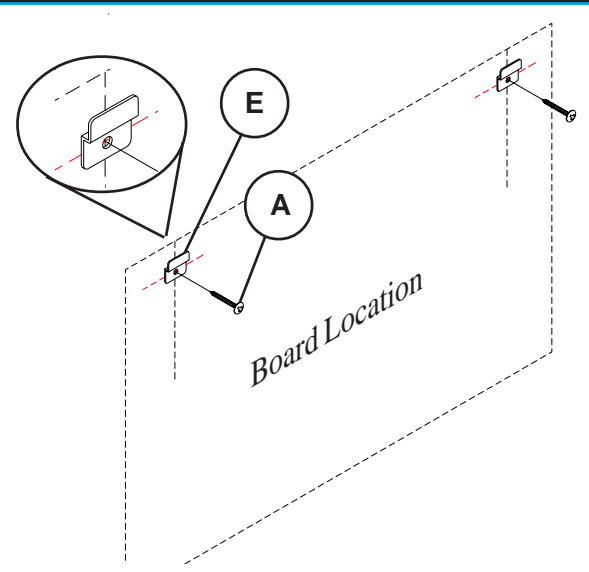
1 Locate and Drill holes for Z-Hangers.



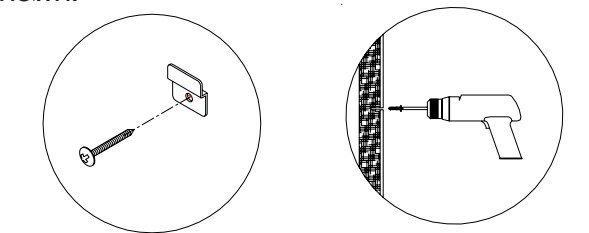
Determine board location. Measure from floor to the top edge of board. Mark with pencil line the corner location. Measure down from top edge of board 3/4", and draw line as shown. Locate stud near each end of board and drill pilot hole along line using 1/16" drill bit.



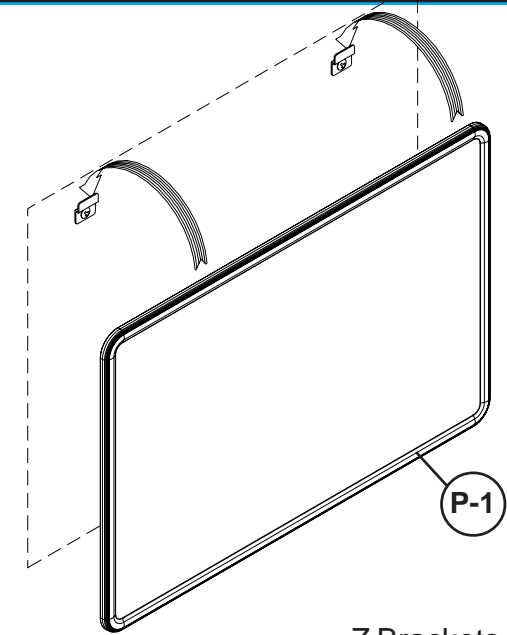
2 Attach Z-Hangers for mounting.



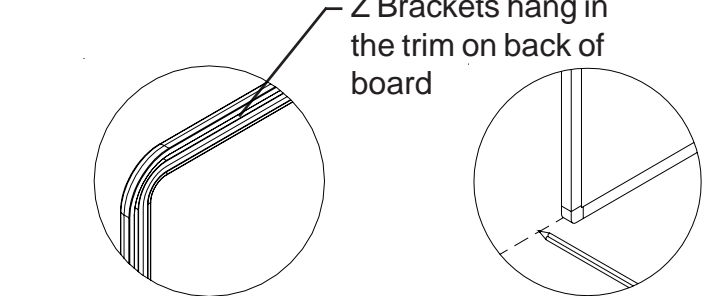
Attach 2 Z-Hangers (E) using 2 Long Screws (A) as shown.



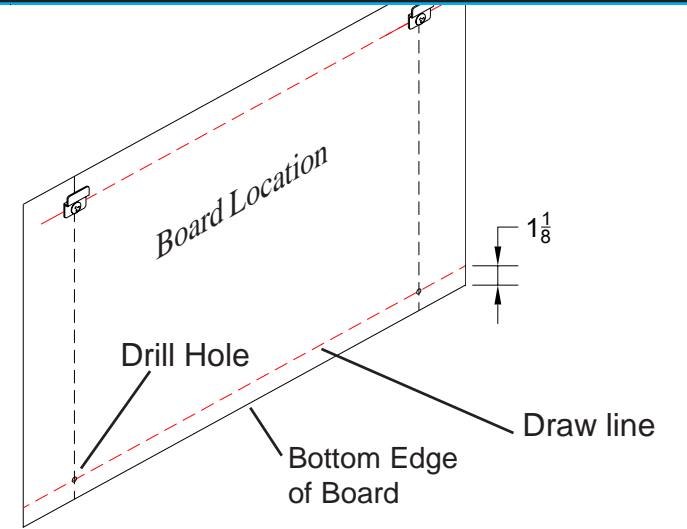
3 Hang board and mark bottom



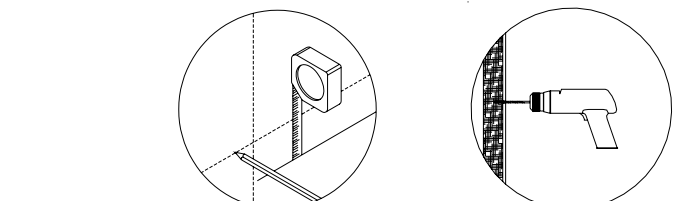
Lift, Tilt, and Slide Board down over the Z-Hangers. Z-Hangers should catch in the top trim on the back of the board. Draw line along bottom edge of board.



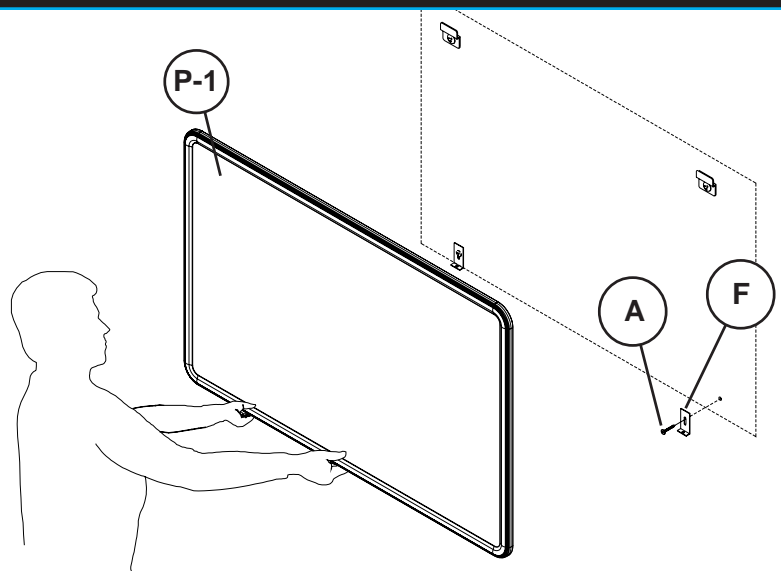
4 Remove board and drill



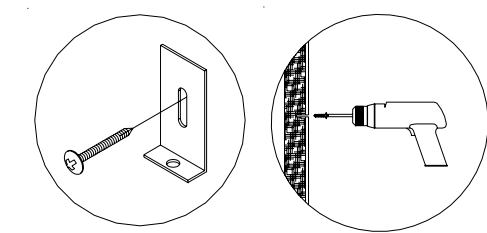
Lift and remove board from the Z-Hangers. Measure up from bottom line of board 1-1/8", and draw line as shown. Locate stud near each end of board and drill pilot hole along line using 1/16" drill bit.



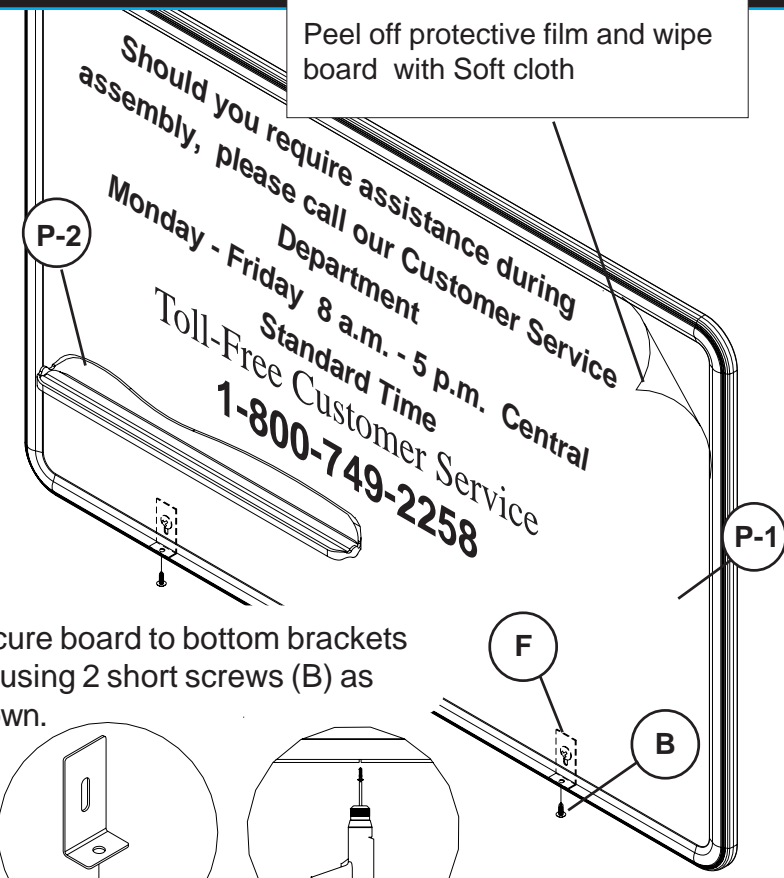
5 Attach Lower Brackets and Hang board



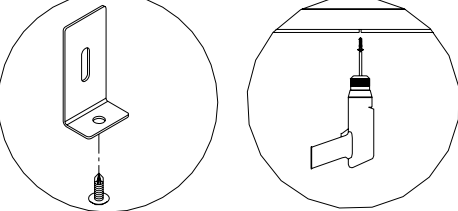
Secure 2 bottom brackets (F) to the wall using 2 long screws (A) as shown. Hang board on the Z-Hangers (E).



6 Secure Board & Attach Q-Tray



Secure board to bottom brackets (F) using 2 short screws (B) as shown.



| Parts List | | |
|------------|--------|------|
| P1 | Board | 1 EA |
| P2 | Q-Tray | 1 EA |

| Hardware List | | |
|---------------|--|------|
| A | Long Screw | 4 EA |
| B | Short Screw | 2 EA |
| C | Screw Anchor - Concrete (For Concrete walls) | 4 EA |
| D | Screw Anchor - Drywall (For Drywall) | 4 EA |
| E | Z Hanging Bracket | 2 EA |
| F | Bottom Bracket | 2 EA |

BRT-219PB_03/25/10



BRT-219PB/219PC
2x3, 3x4 Magne-Rite
W/Satin Presidential Trim

