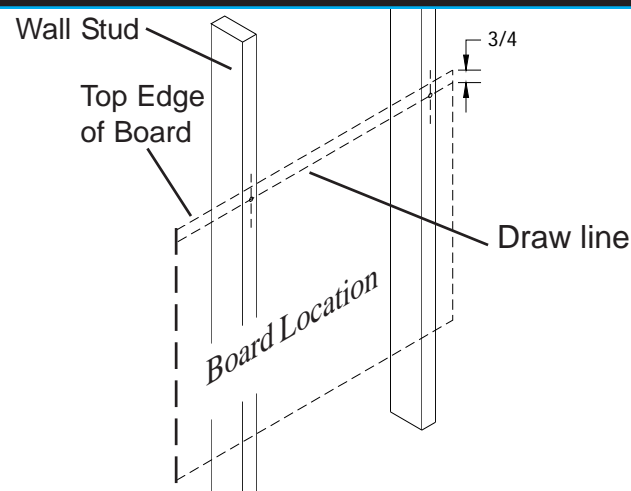
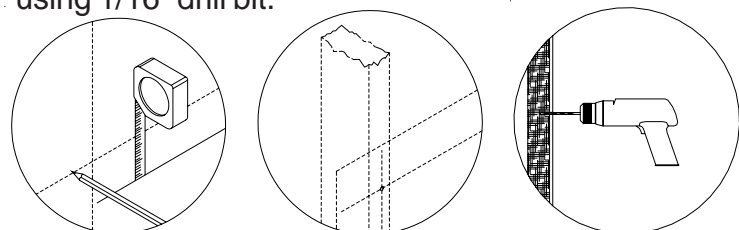


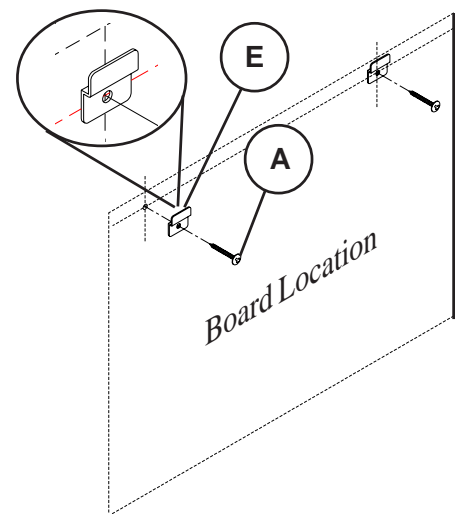
1 Locate and Drill holes for Z-Hangers.



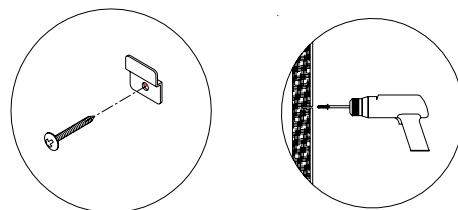
Determine board location. Measure from floor to the top edge of board. Mark with pencil line the corner location. Measure down from top edge of board 3/4", and draw line as shown. Locate stud near each end of board and drill pilot hole along line using 1/16" drill bit.



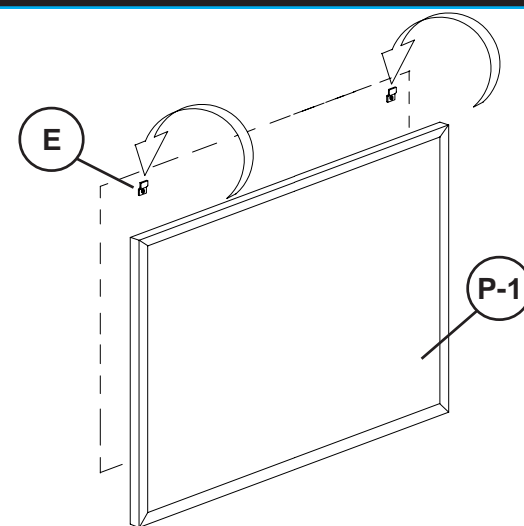
2 Attach Z-Hangers for mounting.



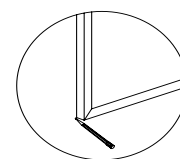
Attach 2 Z-Hangers (E) using 2 Long Screws (A) as shown.



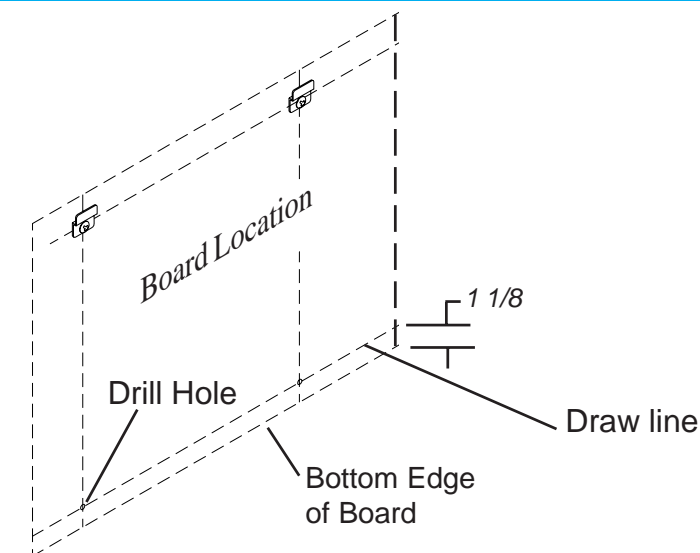
3 Hang board and mark bottom



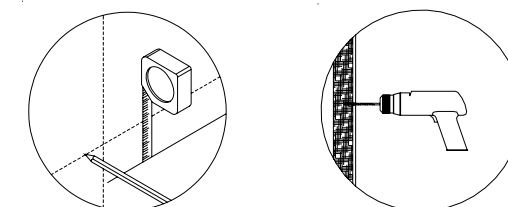
Lift, tilt and slide Board (P1) down over Z-Hangers (E). Z-Hangers (E) should catch in the top trim on the back of the board. Once the board is hanging, mark along the bottom edge of the board with a pencil.



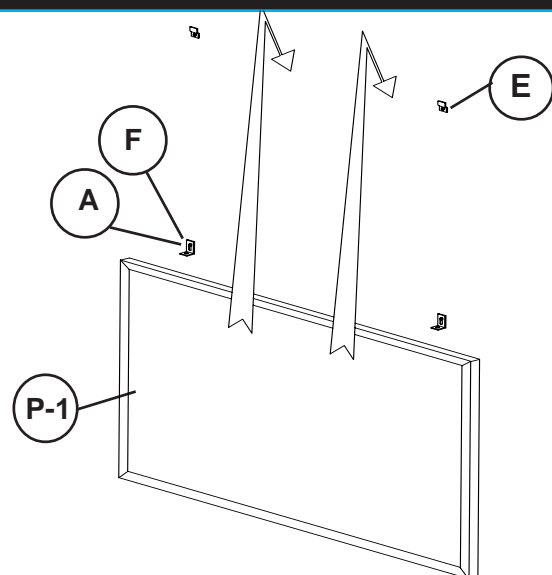
4 Remove board and drill



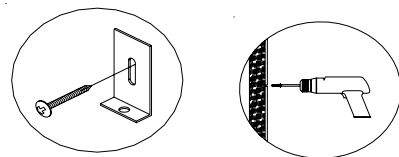
Lift and remove board from the Z-Hangers. Measure up from bottom line of board 1-1/8", and draw line as shown. Locate stud near each end of board and drill pilot hole along line using 1/16" drill bit.



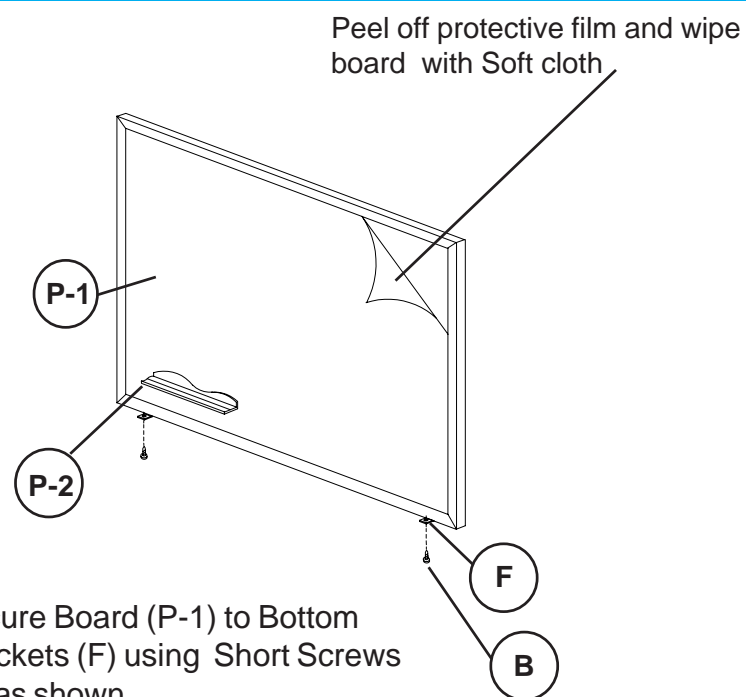
5 Attach Lower Brackets and Hang board



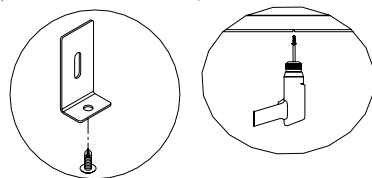
Attach 2 Bottom Brackets (F) to the wall using 2 Long Screws (A). Hang the board from the Z-Hangers (E) at the top and rest the bottom of the Board (P-1) on the Bottom Brackets (F).



6 Secure Board & Attach Q-Tray



Secure Board (P-1) to Bottom Brackets (F) using Short Screws (B) as shown.



Parts List

P1		Board	1 EA
P2		Q-Tray	1 EA

Hardware List

A		Long Screw	4 EA
B		Short Screw	2 EA
C		Screw Anchor - Concrete (For Concrete walls)	4 EA
D		Screw Anchor - Drywall (For Drywall)	4 EA
E		Z Hanging Bracket	2 EA
F		Bottom Bracket	2 EA

2029B,2029C,2029D_05-21-10



2029B,2029C,2029D
2x3, 3x4, 4x4 Markerboard
Porcelain w/Ultra Trim

