



#34434 Ergo-Executive

We've Got Your Back[®]

Missing Parts or UPS Damaged Parts

For Your Convenience you can
EMAIL us at

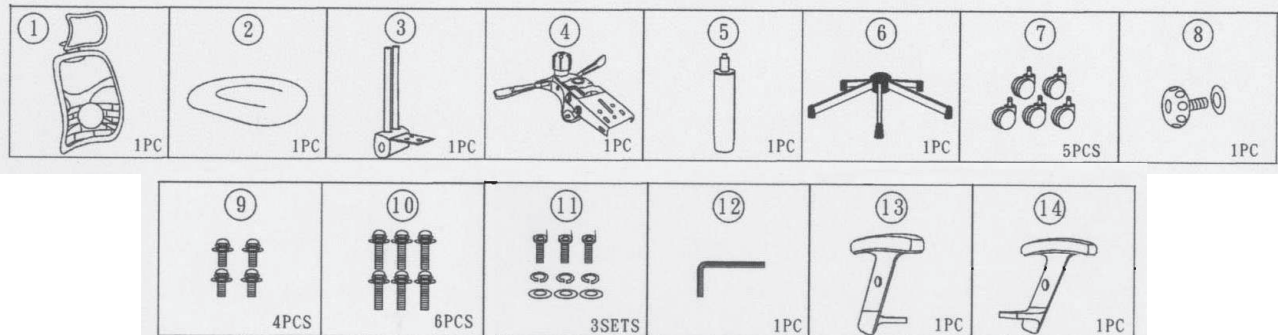
support@moorecoinc.com

24HOURS 7 DAYS A WEEK

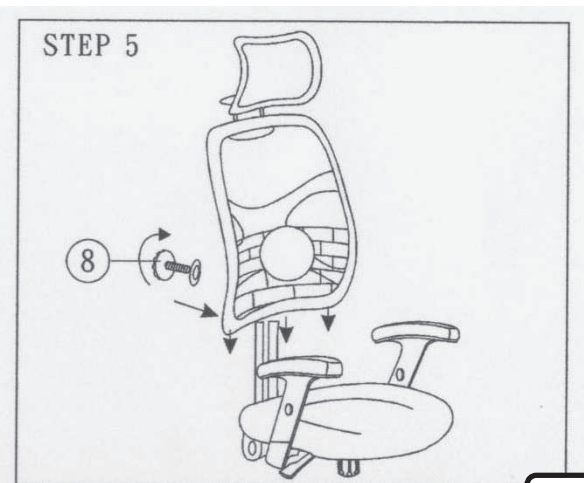
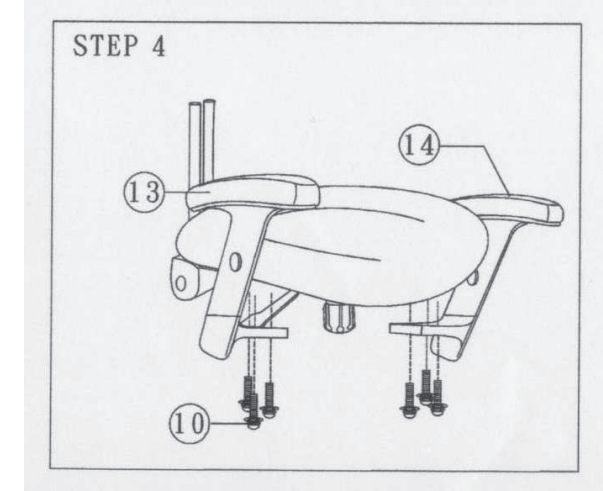
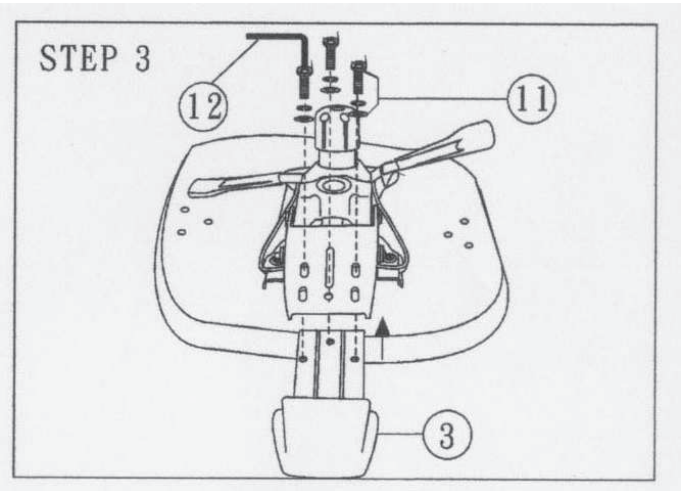
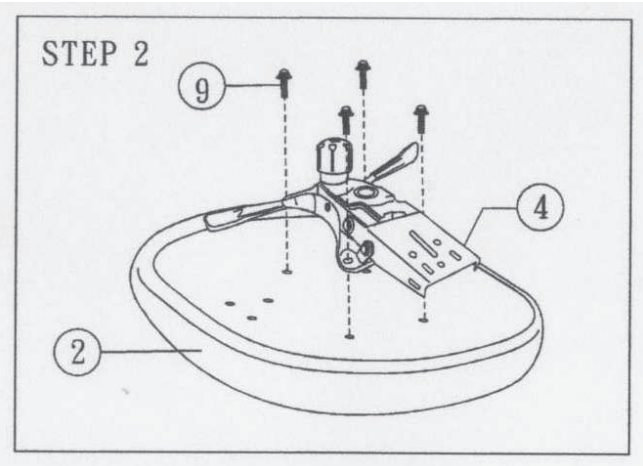
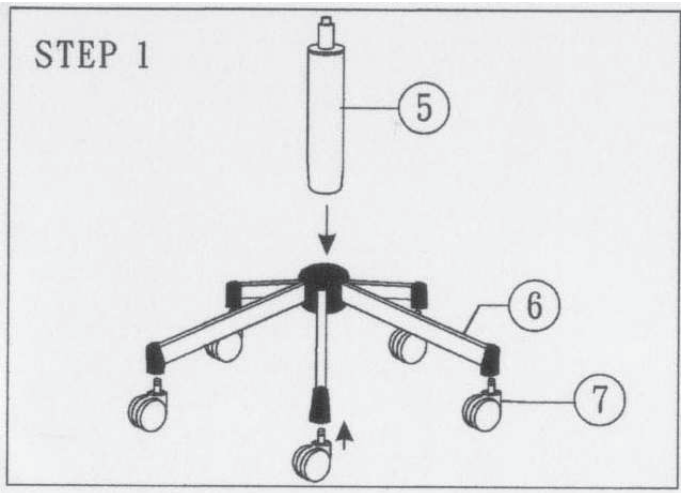


*Should you require assistance
during assembly,
please call our Customer Service
Department Monday - Friday
8 a.m. - 5 p.m.
Central Standard Time
1-800-749-2258*

Parts/Hardware



Do not use unless all screws are tight. At least every six months, check all screws to be sure they are tight. If parts are missing, broken, damaged, or worn, stop use of the product until repairs are made by your dealer using factory authorized parts.



Important

The Balt product you have purchased is guaranteed against material and workmanship defects. This guarantee extends 1 year from date of purchase. Should this product fail to function satisfactorily under normal use due to defect or imperfection, the defective part or product will be replaced. Damage caused by common carriers during shipment is not included in this guarantee.

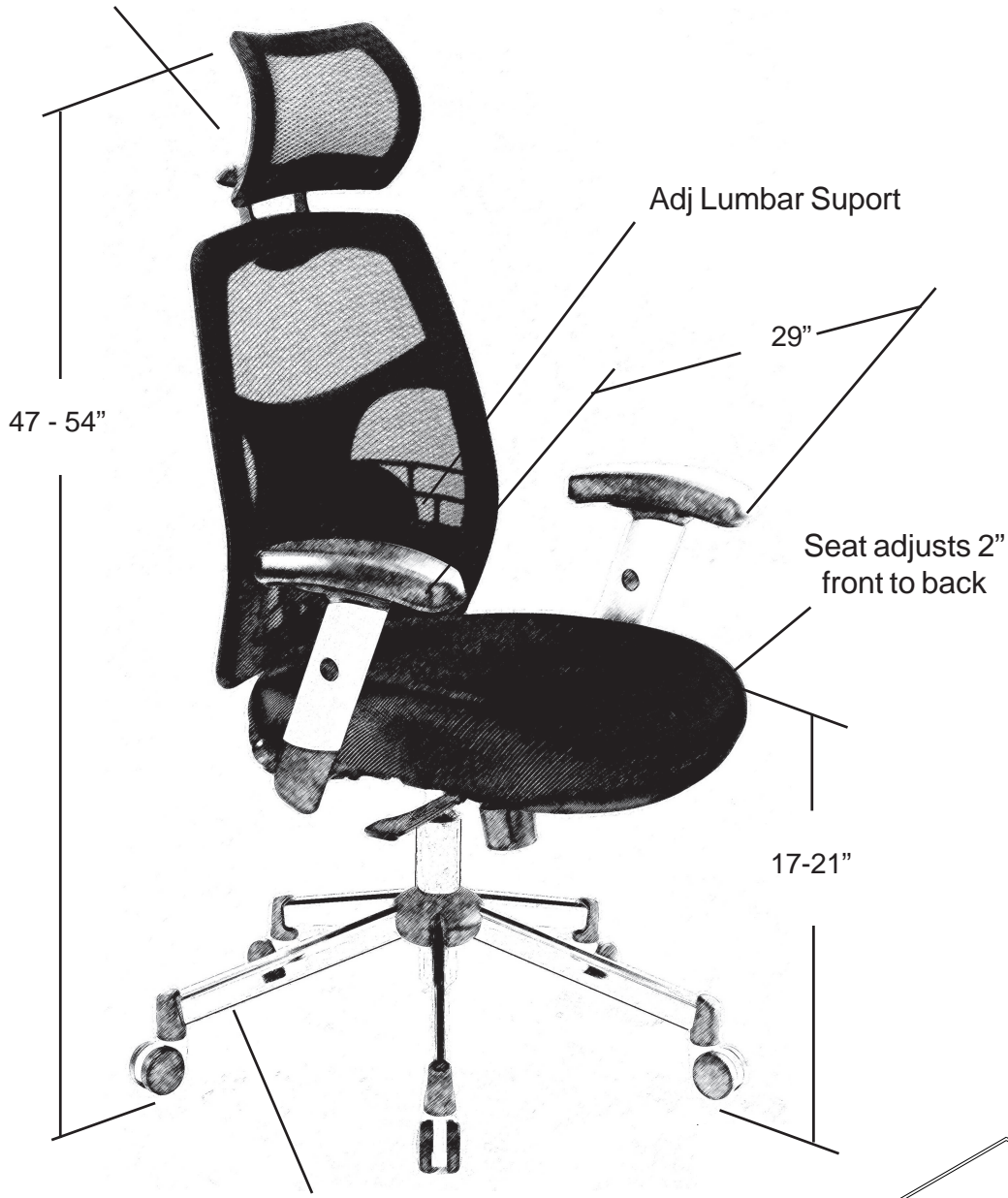
This guarantee sets forth all applicable guarantees and remedies. No other warranty, expressed or implied shall apply. Failure to follow instructions found in Important Information Section of Owner Sheet shall void the guarantee. Consequential or incidental damages and or costs are not refundable.



#34434 Ergo-Executive

We've Got Your Back[®]

Adjust Height & Angle
of Headrest



Shipping Information
0.5 Cubic Feet
7.0 lbs.

