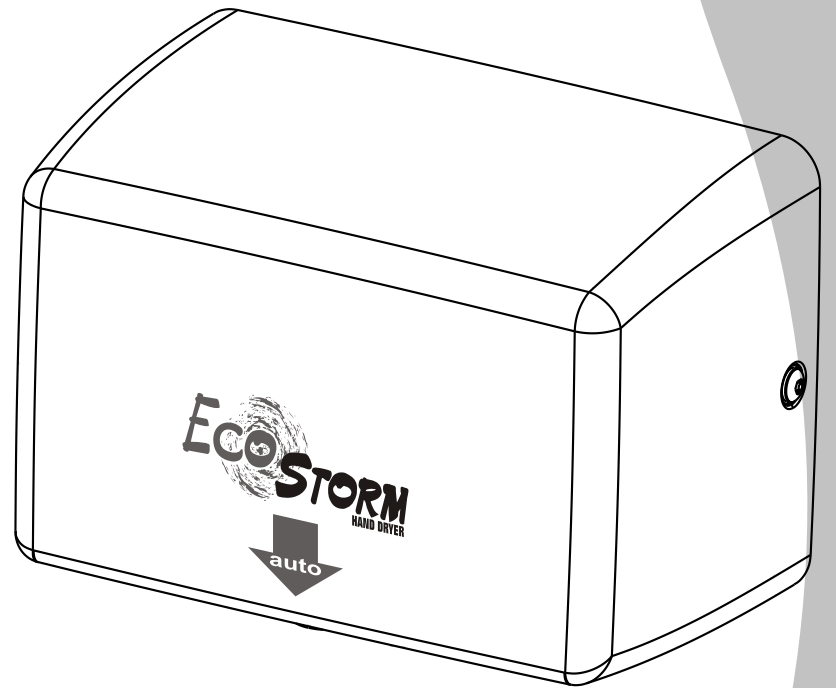


PALMER
FIXTURE
COMPANY

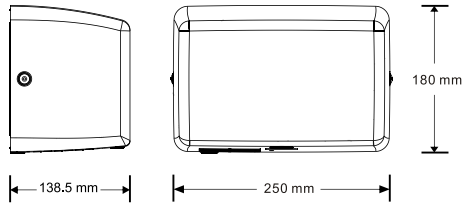
Hand dryer

Automatic



Operating Instructions and Parts Manual (Automatic)

Surface Mount



ECOSTORM

TECHNICAL SPECIFICATIONS

ITEM CATEGORY	PERFORMANCE DATA
Operating Voltage	110-120 Vac, 50/60 Hz, 0.85-1.0 kW - HD940 WH / HD940 XS / HD940 SS 220-240 Vac, 50/60 Hz, 0.85-1.0 kW - HD941 WH / HD941 XS / HD941 SS
Cover	Steel (t:1.2mm)
Air Output Temperature	55°C (131°F) – Ambient Temp. 25°C (77°F)
Warm Air Speed Output	90 m/s (201.3 mi/h)
Dryer shall Deliver	101.7 m³/h, (59.8 CFM)
Motor Type	3/4HP, 500W, 29000 R.P.M., Brush Type, Dual Ball Bearings
Motor Thermal Protection	Auto Resetting Thermostat turns unit off at 105°C [221°F]
Heater Element	500W
Heater Thermal Protection	Thermal cut-off at 142°C [288°F]
Drying Time	Less than 15 seconds
Circuit Operation	Infrared Automatic, self adjusting
Sensor Range	2" to 13" [51 mm to 330 mm] adjustable; standard 7" [18 cm±2 cm]
Timing Protection	60 seconds auto shut off
Drip proof	IPX1
Isolation	CLASS 1
Net Weight	3.8 kg [8.4 lbs]
Shipping Weight	4.2 kg [9.2 lbs]
Unit Size	250 mm W x 180 mm H x 138.5 mm D [9-27/32" W x 7-3/32" H x 5-29/64" D]

COVER TYPE/ COVER FINISH

HD940 WH - Steel, White epoxy finish (t:1.2 mm)

HD941 WH - Steel, White epoxy finish (t:1.2 mm)

HD940 XS - Stainless steel (#304),Bright finished (t:1.2 mm)

HD941 XS - Stainless steel (#304),Bright finished (t:1.2 mm)

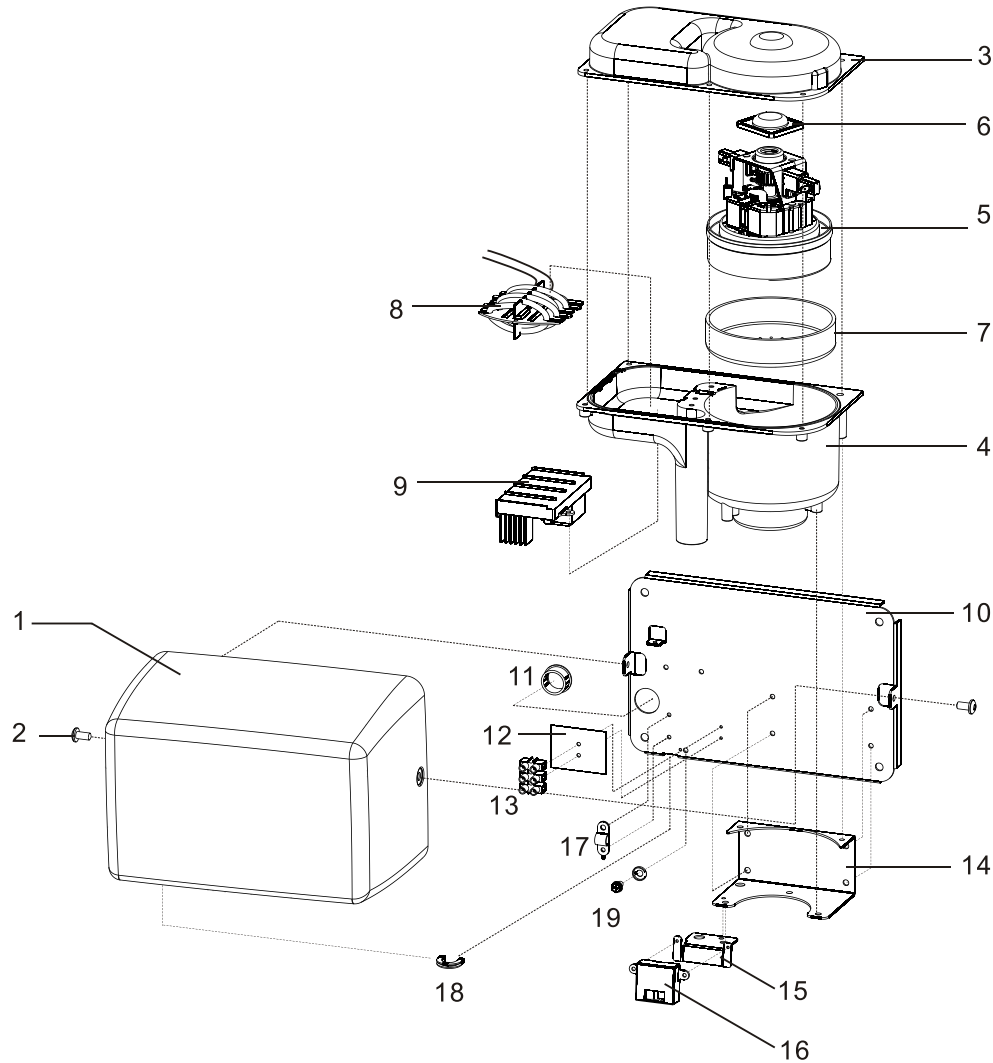
HD940 SS - Stainless steel (#304),Satin finished (t:1.2 mm)

Hd941 SS - Stainless steel (#304),Satin finished (t:1.2 mm)

Repair parts list

Key	Part #	Description	Quantity
01		Enclosure	1
	C0126-1001	Steel - White epoxy finish	
	C0326-4001	Stainless steel - Bright finished	
	C0326-4002	Stainless steel - Satin finished	
02	D0101-0015	Security hex screw	2
03	A0126-0001	Blower housing (Upper)	1
04	A0126-0002	Blower housing (Below)	1
05		Motor	1
	E0126-0001	120Vac@500W	
	E0126-0002	240Vac@500W	
06	G0126-0002	Motor rubber (Upper)	1
07	G0126-0001	Motor rubber (Below)	1
08		Heater assembly	1
	T0226-0001	120Vac@500W	
	T0206-0002	240Vac@500W	
09		Circuit Board Module	1
	F0226-0001	110-120Vac	
	F0226-0002	220-240Vac	
10	C0126-0003	Base plate	1
11	A0101-0016	Nylon hole bushing	1
12	J0209-0001	Insulation Mylar	1
13	F0801-0001	Terminal block	1
14	C0126-0004	Blower mounting bracket	1
15	C0126-0005	Sensor bracket	1
16	Same as Item 9	Sensor (Grouped into Circuit Module)	1
17	A0106-0004	Cable clamp	1
18	A0101-0022	Cable Protector	1
19	D0101-0008	Grounding Screw	1

Diagram



General safety information:

⚠ WARNING This product is intended for installation by a qualified service person. Use 1.2 mm² solid conductor for wiring.

⚠ WARNING Disconnect power at the service breaker before installing or servicing. **NOT FOR HOUSEHOLD USE - MAY CAUSE BURNS.** "IMPROPRE A L'USAGE DOMESTIQUE - PEUT OCCASIONNER."

⚠ DANGER Failure to properly ground unit could result in severe electrical shock and/or death.

⚠ WARNING All units must be supplied with a 3-wire service. The ground wire must be connected to the dryer's backplate.

-- NOTE: Do not install dryer over washbasin --

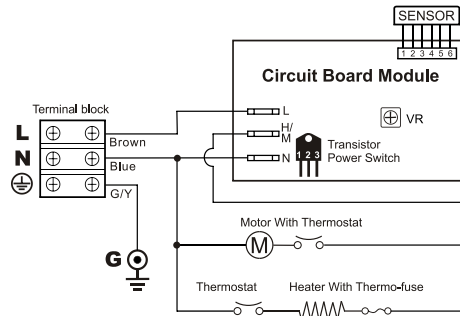
[Type Y attachment]

If the power supply cord is damaged, it must be replaced by the manufacturer or its service agent or a similar qualified person in order to avoid a hazard. Means for disconnection must be incorporated in the fixed wiring in accordance with the wiring rules.

This appliance is not intended for use by persons (including children) with reduced physical, sensory or mental capabilities, or lack of experience and knowledge, unless they have been given supervision or instruction concerning use of the appliance by a person responsible for their safety.

Children should be supervised to ensure that they do not play with the appliance.

Circuit Diagram



Installation

1. Make sure power supply breaker is switched off. Installation must be carried out in accordance with the current edition of the local wiring regulations code having jurisdiction. Installation should be performed only by a qualified electrician.
2. Place template against wall at desired height (see mounting height recommendations) and mark locations of 4 mounting holes and wire service entry at knockout (KO) location.
Note: For two or more dryers, dryers should be no closer than 24 inches (610 mm) on center.
3. Remove and retain 2 cover screws and cover.
4. Connect supply wires to terminal block where indicated and connect ground wire to base plate with ground screw (Connections:
 - A. Connect the live wire (colored red or black) to the terminal block marked "L".
 - B. Connect the neutral wire (colored white or blue) to the terminal block marked "N".
 - C. Connect the ground wire (colored green or green and yellow) to the green screw marked "⊕").

Note that colors of live and neutral wires depend on voltage of supply service.
5. Replace cover. Do not over-tighten screws.

Recommended mounting heights

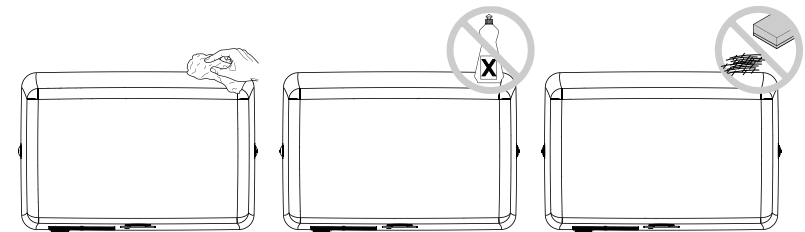
- from bottom edge of dryer above finished floor (AFF)

Men	1000 mm	(40")
Women	960 mm	(38")
Children 4-7 years	812 mm	(32")
Children 8-10 years	860 mm	(34")
Children 11-13 years	910 mm	(36")
Children 14-16 years	960 mm	(38")
Handicapped	860 mm	(34")

Cleaning and Maintenance

Periodic cleaning of the unit is recommended to ensure optimum performance.

- Disconnect the electrical supply.
- Remove the two cover-mounting screws.
- Remove the cover.
- Clean all dust lint from the interior of the dryer.
- Wipe the cover with a damp cloth and mild cleaning solution. Do not Soak. Never use abrasives to clean the cover.
- Replace the cover. Do not over tighten the screws.



Operation

- **No-touch operation**
- **Shake excess water from hands.**
- **Place hands under the outlet to start operation.**
- **Rub hands lightly and rapidly.**
- **Stops automatically after hands are removed.**