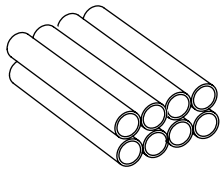


www.luxorfurn.com  
www.hwilson.com

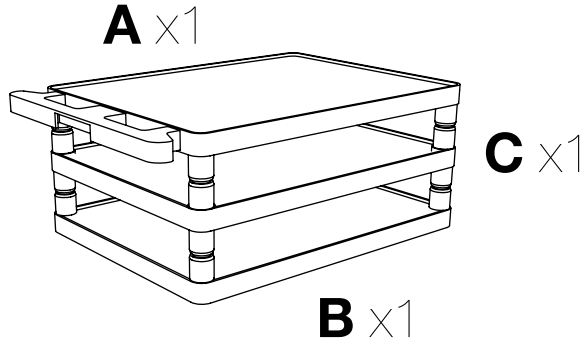
### Parts List

### Tools Required

- Rubber Mallet



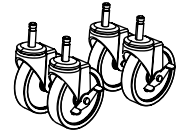
**E** x8



**A** x1

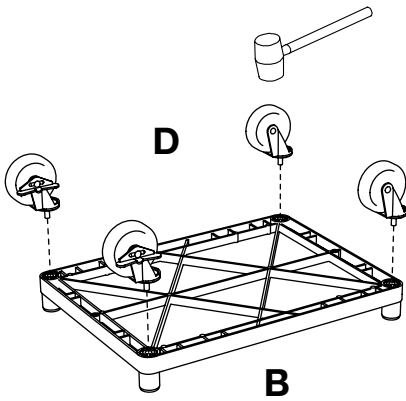
**C** x1

**B** x1



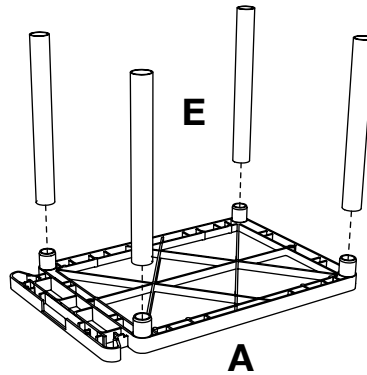
**D** x4

**1**

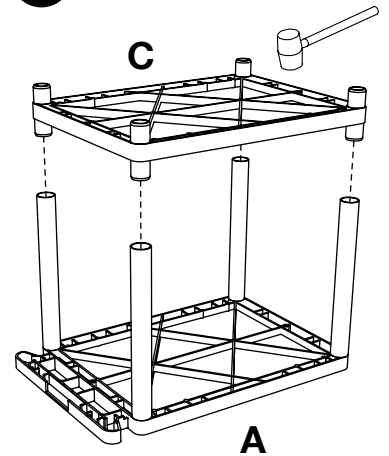


**2**

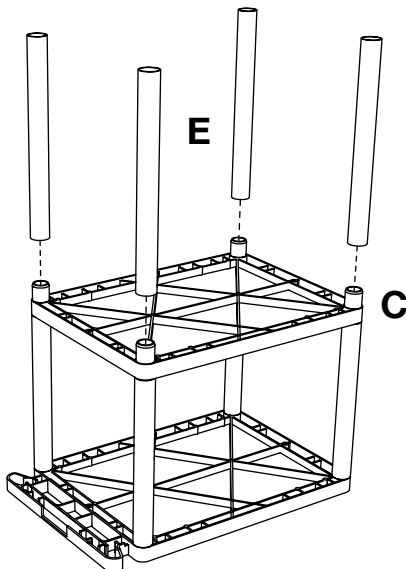
Install optional cabinet pack / pullout shelf / electrical assembly after step 1



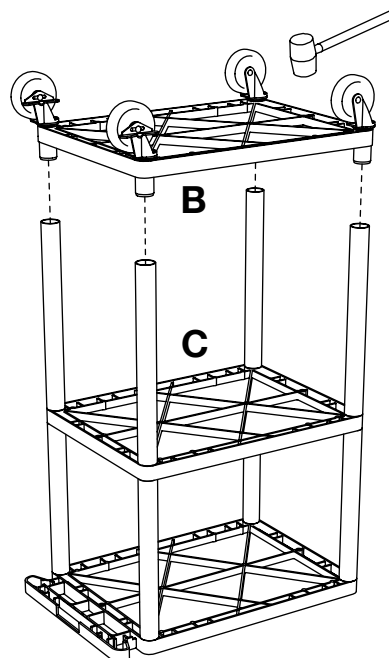
**3**



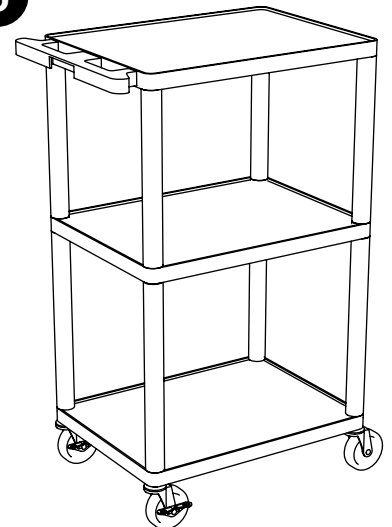
**4**



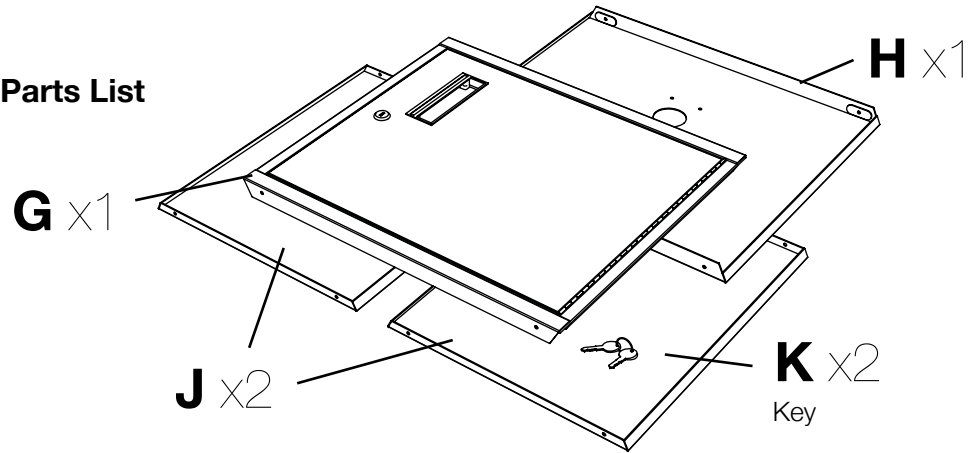
**5**



**6**

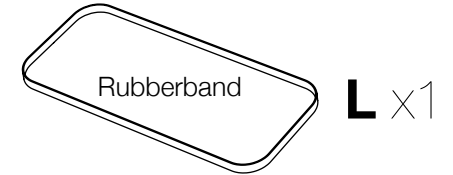


## Parts List



## Tools Required

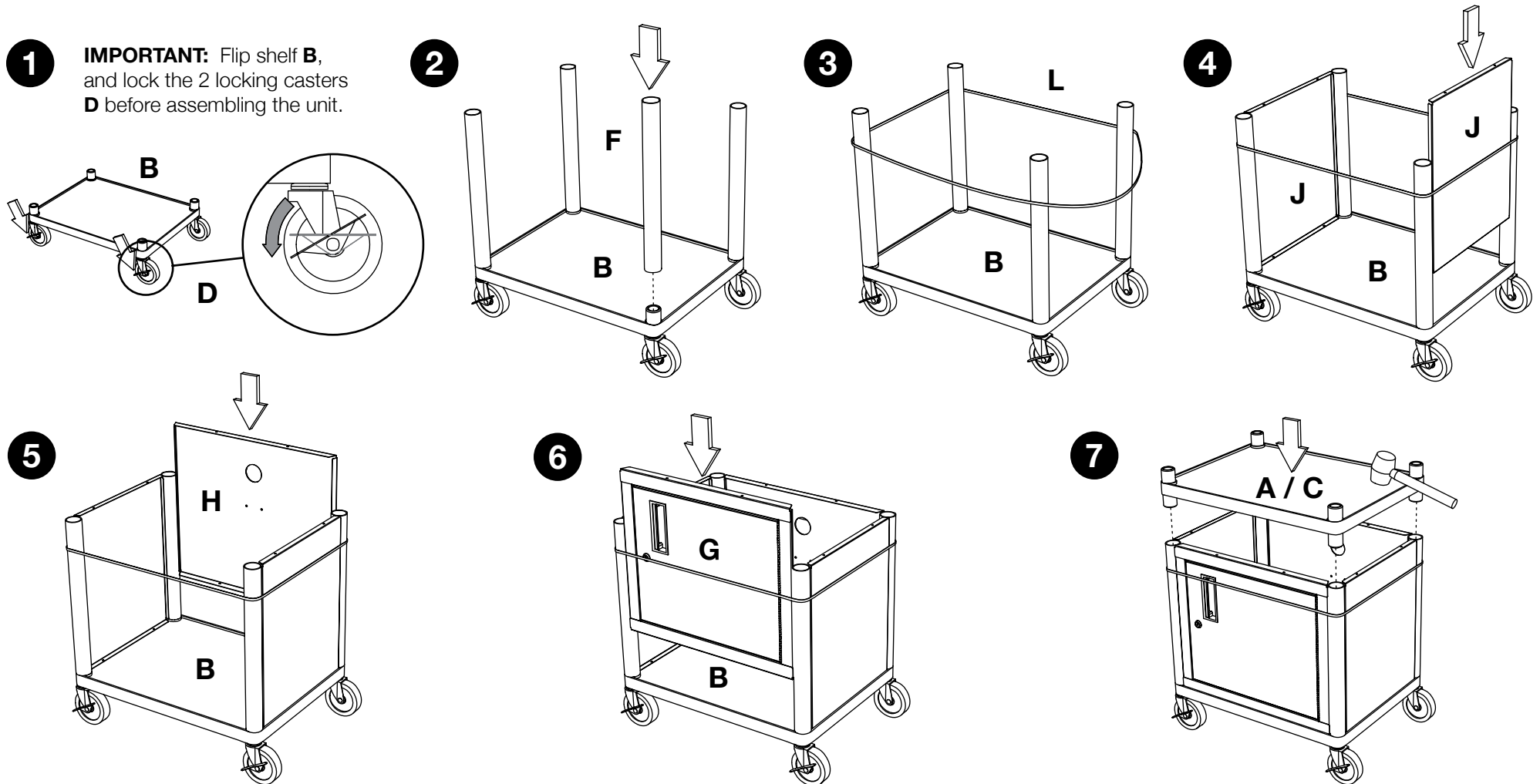
- Rubber Mallet



## LP + LE Cart Cabinet

### Pack Instructions

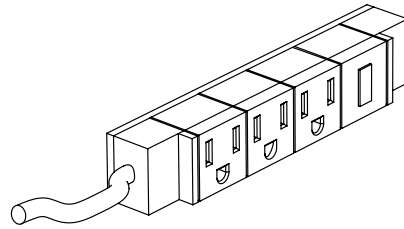
Please consult your cart base unit instructions before starting



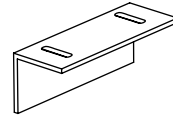
www.luxorfurn.com  
www.hwilson.com

## LP + LE Electrical Assembly Instructions

### Parts List



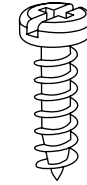
**F** x1



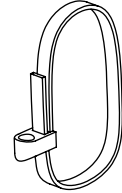
**G** x1

### Tools Required

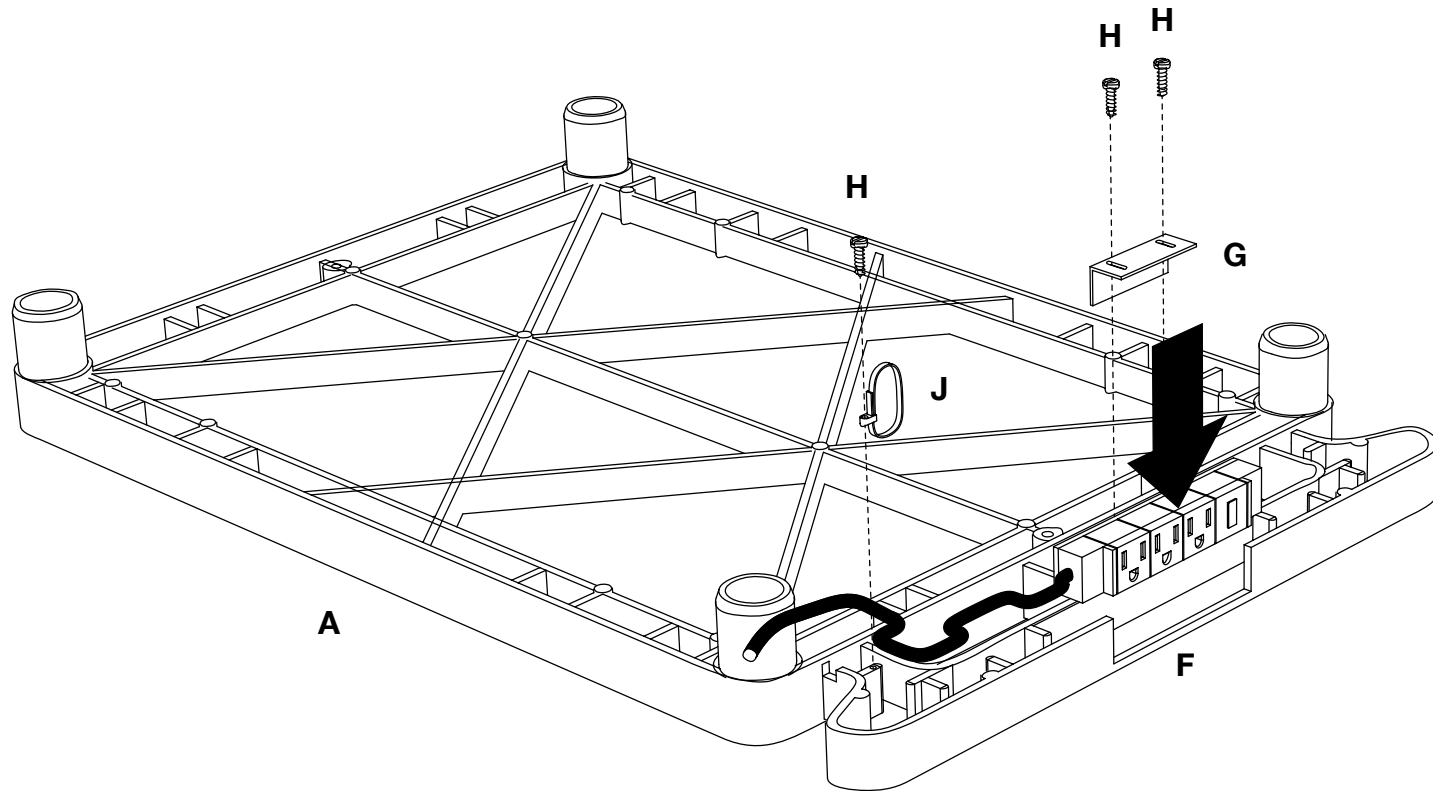
- Philips Screwdriver



**H** x3



**J** x1



**1**

Attach electric outlet **F** to top shelf **A**, secure with L bracket **G** and cable lock **J**. Loop outlet cable **F** through cable lock **J** and the inserts on shelf **A**. Screw L bracket **G** and cable lock **J** onto top shelf **A** with screw **H** and a philips screwdriver.