

# Tuffy Presentation Stations

*Tuffy Black Presentation Stations - 42"H x 24"W x 18"D*



**NEW Tuffy Pullout Shelf Series**

**19 5/8"W x 15 5/8"D**

Shelves are constructed with an injection molded thermoplastic resin. Will not chip, warp, rust or peel. Shelves have a 1/4" safety retaining lip and are available in 12 unique colors.

Locking steel cabinet panels fit firmly into the specially molded leg slots.

A set of silent roll, 4" full swivel ball bearing casters, two with locking brakes.

Includes a 3-outlet UL listed electrical assembly with a 15 ft. cord.

**WTPSLP42C2E-B**

Shelf Color Code:	<b>Black</b>	<b>Gray</b> GY	<b>Putty</b> OW	<b>Red</b> R	<b>Burgundy</b> BY	<b>Blue</b> BU
	<b>Yellow</b> Y	<b>Orange</b> OR	<b>Hunter Green</b> HG	<b>Green</b> G	<b>Purple</b> P	<b>Navy</b> Z



**WTPSLP42E-B**



**WTPS42C2E-B**



**WTPS42E-B**



**WT42C2E-B**

# Tuffy Presentation Stations

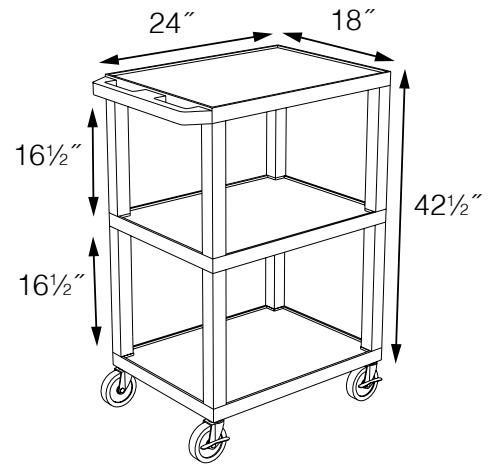
*Tuffy Black Presentation Stations - 42"H x 24"W x 18"D*



Front & Side pull-out shelves ideal for laptop, keyboards and projectors. Lockable WTD drawers great for storage and added security.

19 5/8"W x 13 5/8"D

**Measurements:**



**WTPSP42C2E-B**



**WT42E-B**



**WTPSP42E-B**



**WT42C2E-B/WTD**



**WT42E-B/WTD**