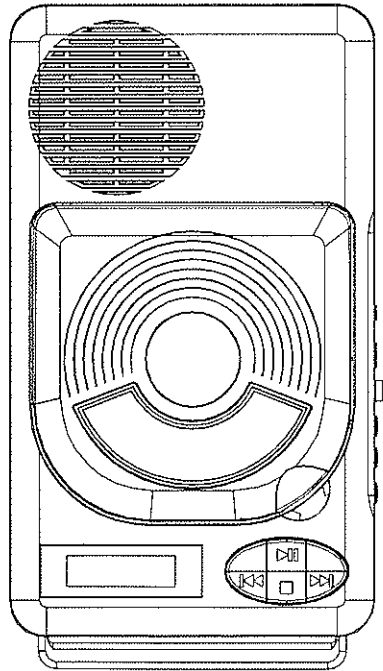


HamiltonTM
ELECTRONICS

INSTRUCTION MANUAL

PORTABLE CD/MP3 USB PLAYER


HACX-205



Please read and follow these instructions carefully before using your unit

WARNING
 TO PREVENT FIRE OR SHOCK HAZARD, DO NOT EXPOSE THIS APPLIANCE TO RAIN OR MOISTURE. TO AVOID ELECTRICAL SHOCK, DO NOT OPEN THE CABINET.

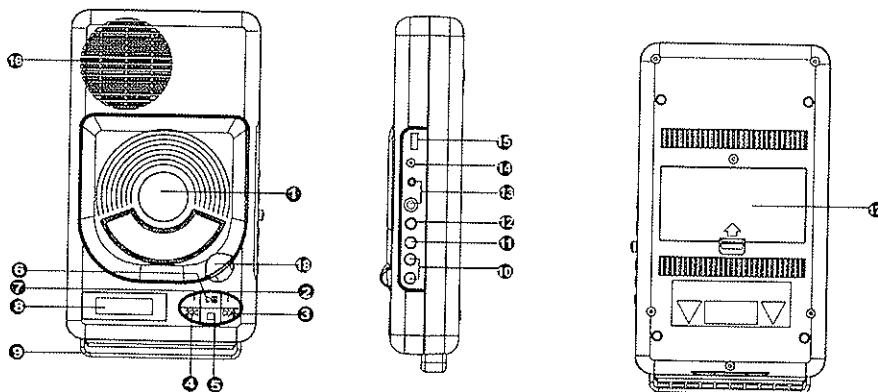
DANGER
 INVISIBLE LASER RADIATION WHEN OPEN AND INTERLOCK FAILED OR DEFEATED. AVOID DIRECT EXPOSURE TO BEAM.

	<p>This symbol indicates that dangerous voltage constituting a risk of electric shock is present within this unit.</p>
<p>CAUTION: TO REDUCE THE RISK OF ELECTRIC SHOCK, DO NOT REMOVE COVER. NO USER SERVICEABLE PARTS INSIDE. REFER SERVICING TO QUALIFIED SERVICE PERSONNEL.</p>	<p>This symbol indicates that there are important operating and maintenance instructions in the literature accompanying this unit.</p>

PRECAUTION : DO NOT EXPOSE THIS PRODUCT TO WATER OR HUMIDITY TO AVOID RISK OF ELECTRIC SHOCK.

LOCATION OF CONTROLS

- | | |
|----------------------------|-------------------------|
| 1. CD DOOR | 10. VOLUME CONTROL |
| 2. PROGRAM/REPEAT BUTTON | 11. USB/CD MODE BUTTON |
| 3. NEXT SKIP/SEARCH BUTTON | 12. POWER NO/OFF SWITCH |
| 4. BACK SKIP/SEARCH BUTTON | 13. HEADPHONES JACK |
| 5. STOP/USB BUTTON | 14. DC JACK |
| 6. PLAY/PAUSE BUTTON | 15. USB PORT |
| 7. ALBUM/+10 BUTTON | 16. SPEAKERS |
| 8. LED DISPLAY | 17. BATTERY COMPARTMENT |
| 9. HANDLE | 18. CD DOOR OPEN AREA |



POWER SUPPLY

BATTERY OPERATION

1. Remove the Battery Compartment Cover by gently pushing the clips downward and outwards.
2. Install 4 x 'C' size batteries (UM-1 or equivalent) and take care that the correct polarities are observed.
3. Replace the battery compartment cover.

NOTE:

- The DC line cord must be removed for battery operation.
- To avoid damage which may result from leaking batteries, remove the batteries when they become exhausted or when the unit is not used for a long period of time.

POWER ON/OFF (12) - (ON MAIN UNIT)

Press and lock to turn on the unit, press and unlock to power off the unit.
(Note: The main power must be turned on before using the remote to operate the unit.)

VOLUME(+/-) (10) - (ON MAIN UNIT)

Adjust the sound level.



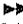


HEADPHONE JACK (13)

For private listening, insert a stereo headphone with plug diameter of 3.5mm into the jack, the output to the speakers will be disabled. The headphone volume can be adjusted by the volume control.

CAUTION : Listening at high volume level could damage users' ears.

USING CD PLAYER KEYS

The following CD/MP3 control keys on the main unit are used to control CD/MP3 player.

- PLAY/PAUSE  : Press this key to start playing CD/MP3.
Pressing this key during play will stop playing a moment.
To restart, press this key once again.
- STOP  : Press this key to stop playing CD/MP3.
- SKIP  : Press this key a moment to skip to next track.
-  : Press this key a moment to skip to previous track.
- REPEAT  : Press this key to select or cancel repeat play mode.

STANDARD PLAY

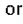

1. Set CD/USB Button (11) to "CD/MP3" position.
 2. Open the CD tray by pressing OPEN/CLOSE (18) key, place a CD/MP3 on the turntable and close the CD door. Press PLAY/PAUSE button to start playing. While playing a disc, disc number key will light to indicate a disc currently playing.
 3. Adjust VOLUME CONTROL (10)
 4. To stop playing, press "STOP" button.
- * To play an 8cm (3-inch) disc. Place it on the CD tray. If the disc is provided with an adaptor, remove adaptor first. Do not put a normal disc on top of an 8cm (3-inch) disc.

SELECTING VARIOUS PLAYING MODES



You can enjoy various playing modes :-

- * REPEAT play - play repeating on same track
- * REPEAT play - play repeating on entire disc

TO SKIP TO OTHER TRACKS

Press  or  keys to perform track skipping backward or forward.

TO SEARCH A PORTION WITHIN A TRACK OR TRACKS

Press  or  key on remote handset to perform the high-speed search.
Press play button to resume normal playback.

TO PLAY A DISC WITH PROGRAM PLAY MODE

Your unit has a program memory to store the playing tracks up to 20:

1. Place a disc in the CD tray then close the CD tray.
2. The unit is in the stop mode, either press Program/Memory button on main unit or Memory button on remote control, the display shows program number as "P00 000".
3. Press the numeric keys continually on the remote control as programming your desired track number in sequence up to 20 tracks in maximum.

4. Press the NEXT / BACK button or 10(+) to select the song to be programmed.
5. To start program play by pressing PLAY button.
6. To stop program play, press STOP button on main unit or on remote control. During setting the program play, you can press Program/Memory button on main unit or MEMORY key on remote control to cancel.

MP3/CD PLAYBACK

1. Slide the CD/USB Button(11) switch to CD/MP3 mode.
2. Press CD/MP3 Open/Close button to open the CD/MP3 compartment.
3. Place a CD/MP3 on the tray, label side up.
4. Close the CD tray, the total number of tracks will be displayed.
5. Press PLAY/PAUSE button to start playback from the first track and the track name displayed during playback.
6. For MP3, simply enter numeric numbers for quick search.

USB PLAY OPERATION

In the front panel of the unit, there is an USB input (15) You can connect an USB driver through this interface. If no discs inserted in the unit, the unit will search the MP3 files or WMA files in the USB driver and start to play MP3 files or WMA files automatically. If in MP3/CD mode, you can also press USB button to select USB mode.

When playing the MP3 files or WMA files in the device, the operation is the same with the MP3 operation described above.

Note:

* When in USB play mode, be sure not to remove the USB driver from the USB input.

CAUTION:

When there are important files in the USB device, do not connect it to the main unit to play. And don't play the CD-R/RW disc that has important files in it. Because any wrong operation may cause files loss, our company assumes no responsibility for this.

SPECIFICATION

☞ GENERAL

Power requirement..... DC 6V
 (4) "C" Batteries
 Power consumption AC 2 Watts
 Weight..... change +o lbs
 Dimensions Approx. change +o inches
 Operation temperature.... +5°C ~ + 35°C

☞ CD PLAYER SECTION

Playback system..... Compact Disc Digital Audio System
 DAC 1 bit D/A converter
 With 8 times over sampling digital filter

CAUTION

* To avoid electric shock , this unit must not be exposed to dripping water or water splash.