

Model No. NEX203ME



MOBILE

INTERACTIVE

VERSATILE

Move and Collaborate –

the Nexus Easel is a mobile, double-sided markerboard display stand that provides a flexible 4' x 3' writing area plus expandable work space for Tablets.



nexus[™]
by Ghent

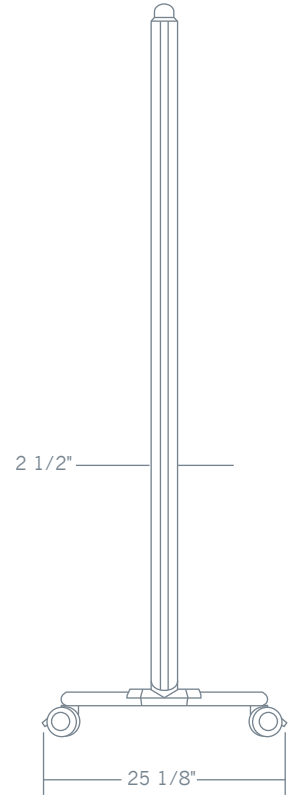
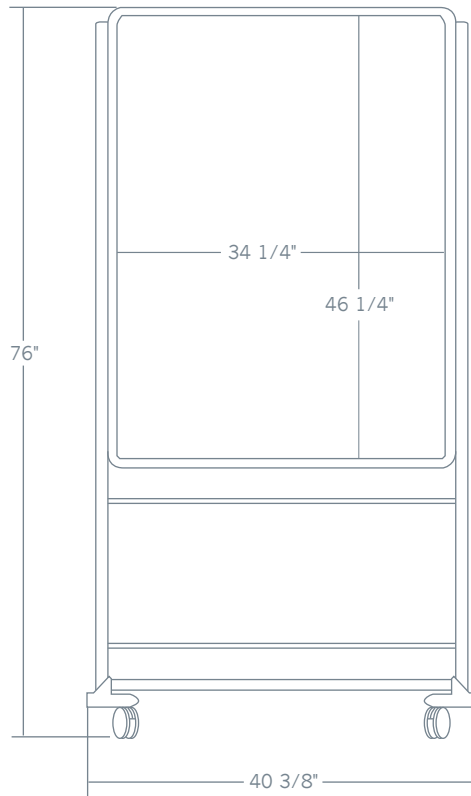
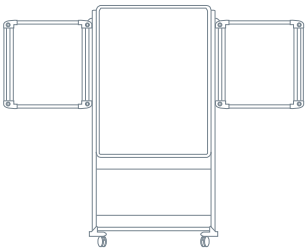
simplifying small group communication



Mobile	Interactive	Versatile
Simple to move from room to room for use where you need it	Flexible and expandable presentation areas with side-mountable Tablet markerboards (sold separately)	Provides a large and interactive display space for group presentations

Key Features

- Double-sided, 4'x3' magnetic marker surface – more durable, reusable and greener solution than traditional chart pads
- Angled foot design – allows units to be grouped for a more coordinated collaboration space
- Expandable workspace – attachable easel pegs give you the option of adding Tablets for additional room
- In reach – comes complete with side-mountable marker/eraser holder
- Backed by a Ghent 10-year guarantee



Find out more
NexusByGhent.com

Specifications		Model No.
Dimensions	76" (193 cm) x 40-3/8" (102.6 cm) x 25-1/8" (63.8 cm)	NE203ME
Weight	52 lbs	

Accent Panel Colors



GHENT

Ghent Manufacturing, Inc.
2999 Henkle Drive
Lebanon, Ohio 45036
T 800-543-0550
P 513-932-3445
F 513-932-9252
ghent.com

