

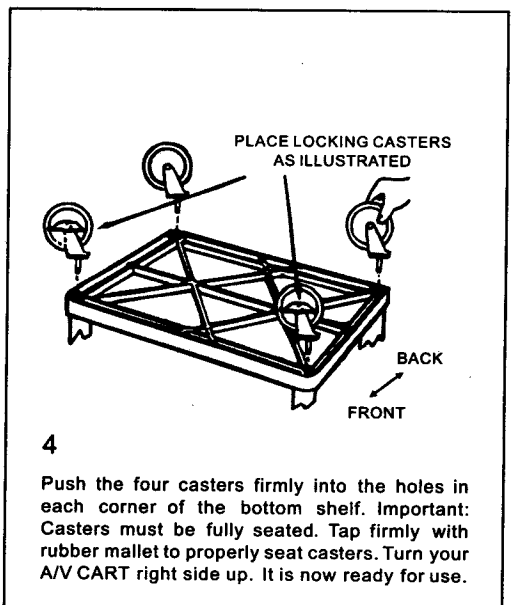
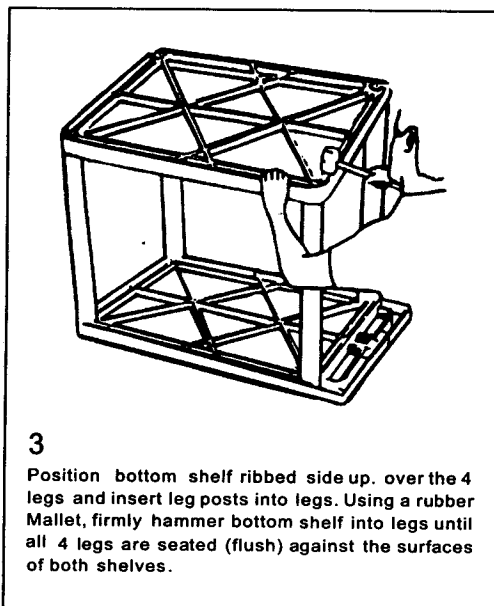
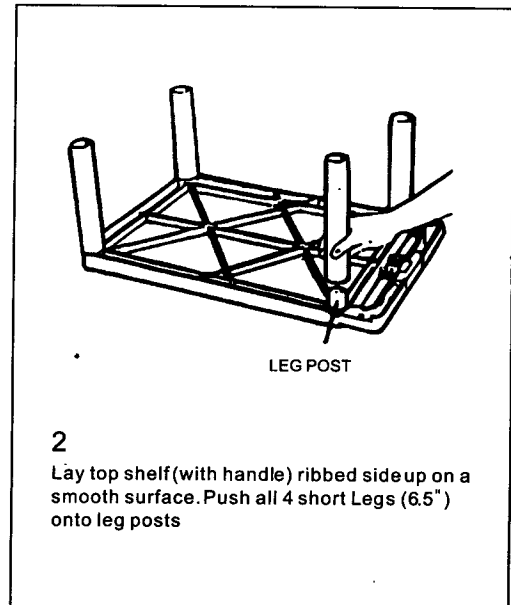
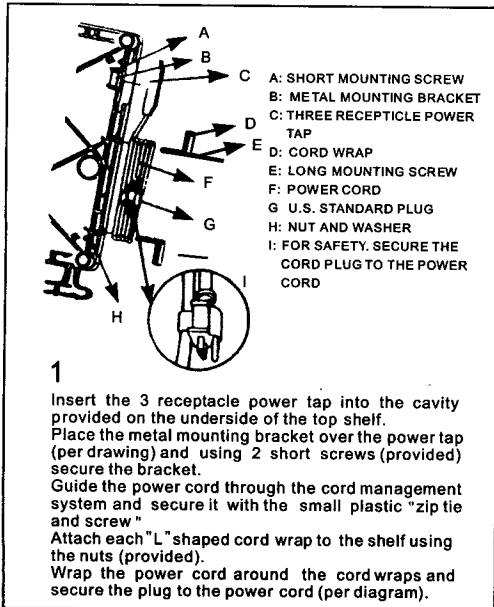
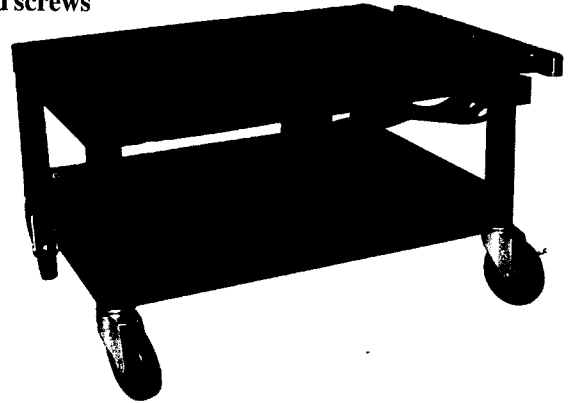
ASSEMBLY INSTRUCTIONS: PAC - 16in. CART

PARTS LIST

- 1- top shelf
- 1- bottom shelf
- 1- UL approved power cord w/3 receptacle power tap
- 1- zip tie w/ screw hole and long Phillips head screw (for power cord)
- 1- "L" shaped metal bracket w/2 screw holes and 2 short Phillips head screws
- 4- short legs (6.5 inches long each)
- 2- "L" shaped cord wraps w/U.S. Standard nuts.
- 4- casters, two locking and 2 non locking
- 1- round plug for hole in top shelf

Tools Required

- 1- Rubber Mallet
- 1- Phillips Screwdriver



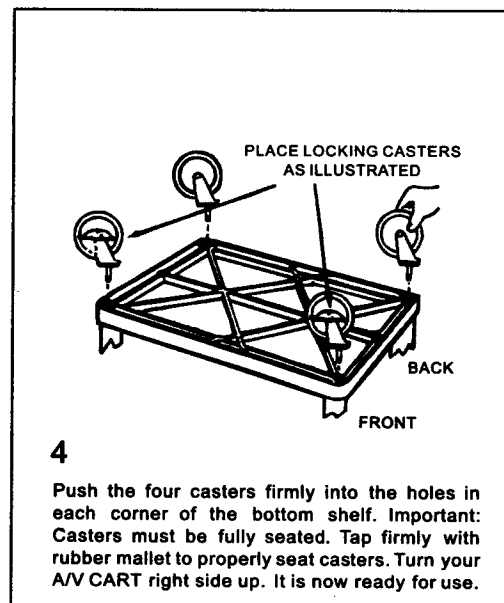
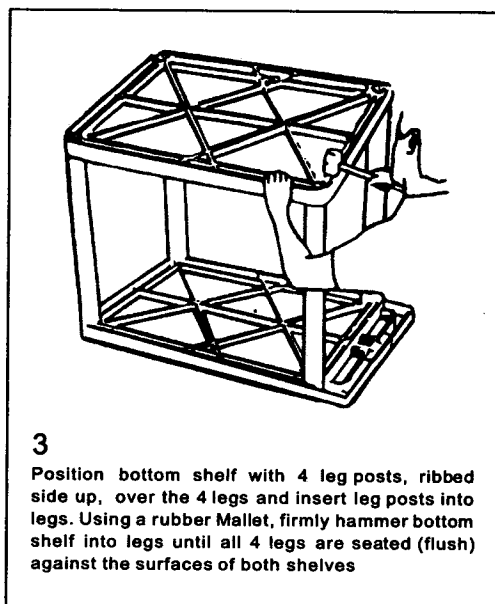
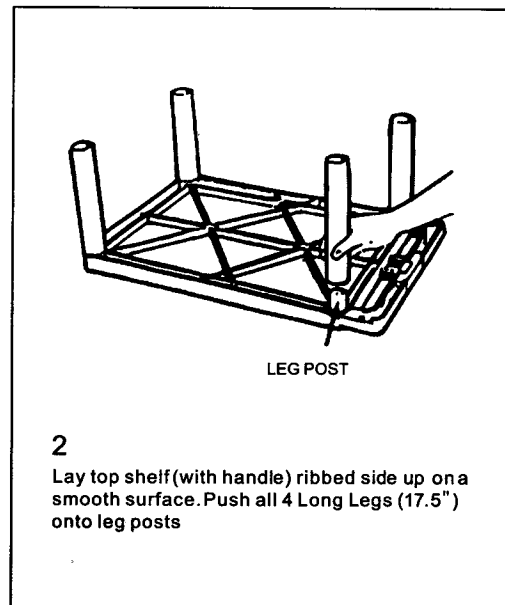
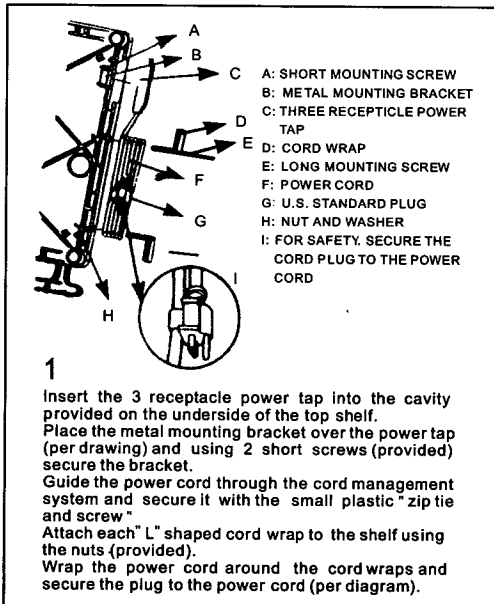
ASSEMBLY INSTRUCTIONS: PAC-2 6in. CART

PARTS LIST

- 1- top shelf
- 1- bottom shelf
- 1- UL approved power cord w/3 receptacle power tap
- 1- zip tie w/ screw hole and long Phillips head screw (for power cord)
- 1- "L" shaped metal bracket w/2 screw holes and 2 short Phillips head screws
- 4- long legs (17.5 inches long each)
- 2- "L" shaped cord wraps w/U.S. Standard nuts.
- 4- casters, two locking and 2 non locking
- 1- round plug for hole in top shelf

Tools Required

- 1- Rubber Mallet
- 1- Phillips Screwdriver



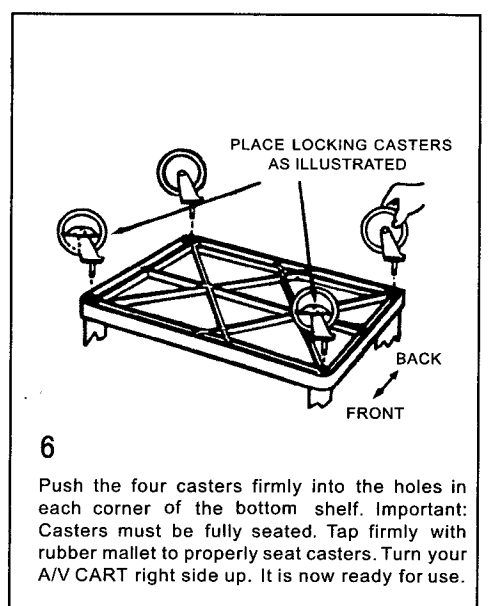
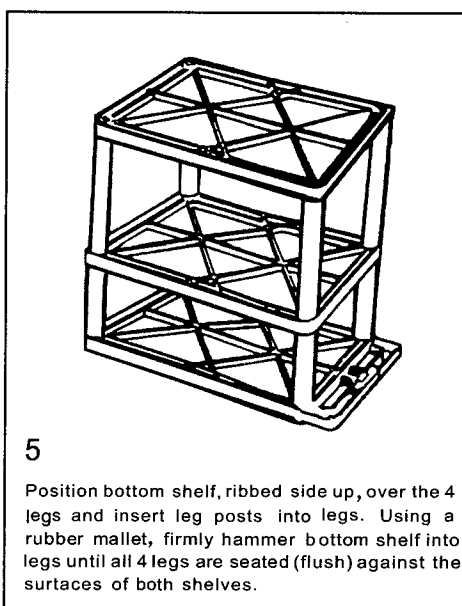
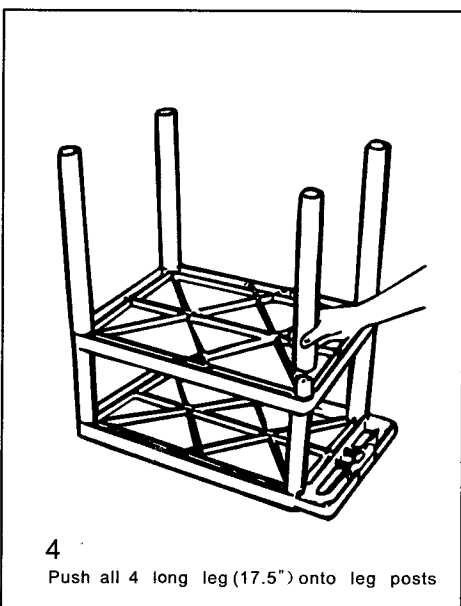
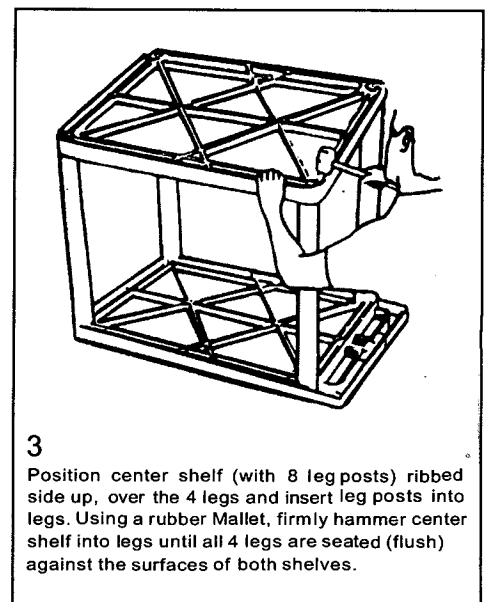
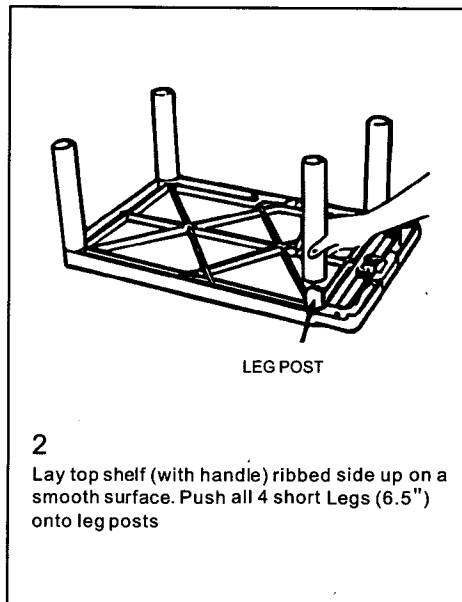
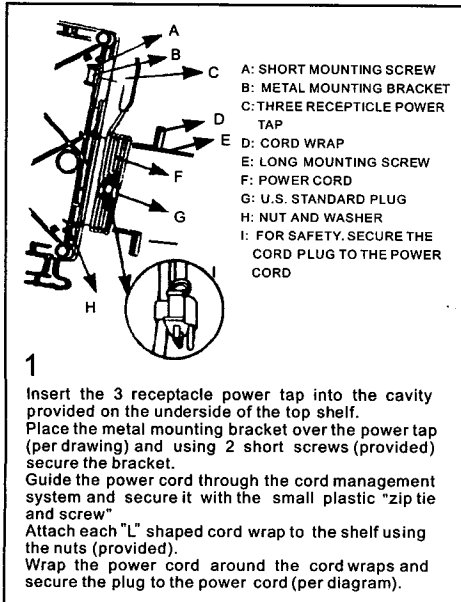
ASSEMBLY INSTRUCTIONS: PAC - 34 in. CART

PARTS LIST

- 1- top shelf
- 1- middle shelf
- 1- bottom shelf
- 1- UL approved power cord w/3 receptacle power tap
- 1- zip tie w/ screw hole and long Phillips head screw (for power cord)
- 1-"L" shaped metal bracket w/2 screw holes and 2 short Phillips head screws
- 4- short legs (6.5 inches long each)
- 4- long legs (17.5 inches long each)
- 2-"L" shaped cord wraps w/U.S. Standard nuts.
- 4- casters, two locking and 2 non locking
- 1- round plug for hole in top shelf

Tools Required

- 1- Rubber Mallet
- 1- Phillips Screwdriver



ASSEMBLY INSTRUCTIONS: PAC - 42 in. CART

PARTS LIST

- 1- top shelf
- 1- middle shelf
- 1- bottom shelf
- 1- UL approved power cord w/3 receptacle power tap
- 1- zip tie w/ screw hole and long Phillips head screw (for power cord)
- 1- "L" shaped metal bracket w/2 screw holes and 2 short Phillips head screws
- 4- medium legs (15.25 inches long each)
- 4- long legs (17.5 inches long each)
- 2- "L" shaped cord wraps w/U.S. Standard nuts.
- 4- casters. two locking and 2 non locking
- 1- round plug for hole in top shelf

Tools Required

- 1- Rubber Mallet
- 1- Phillips Screwdriver



1

Insert the 3 receptacle power tap into the cavity provided on the underside of the top shelf. Place the metal mounting bracket over the power tap (per drawing) and using 2 short screws (provided) secure the bracket. Guide the power cord through the cord management system and secure it with the small plastic "zip tie and screw". Attach each "L" shaped cord wrap to the shelf using the nuts (provided). Wrap the power cord around the cord wraps and secure the plug to the power cord (per diagram).

2

Lay top shelf (with handle) ribbed side up on a smooth surface. Push all 4 Legs (15.25") onto Leg posts

3

Position center shelf (with 8 leg posts) ribbed side up, over the 4 legs and insert leg posts into legs. Using a rubber Mallet, firmly hammer center shelf into legs until all 4 legs are seated (flush) against the surfaces of both shelves.

4

Push all 4 long leg (17.5") onto leg posts

5

Position bottom shelf, ribbed side up. over the 4 legs and insert leg posts into legs. Using a rubber mallet, firmly hammer bottom shelf into legs until all 4 legs are seated (flush) against the surfaces of both shelves.

6

Push the four casters firmly into the holes in each corner of the bottom shelf. Important: Casters must be fully seated. Tap firmly with rubber mallet to properly seat casters. Turn your A/V CART right side up. It is now ready for use.