

# LUXOR | H.WILSON

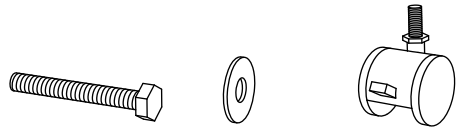
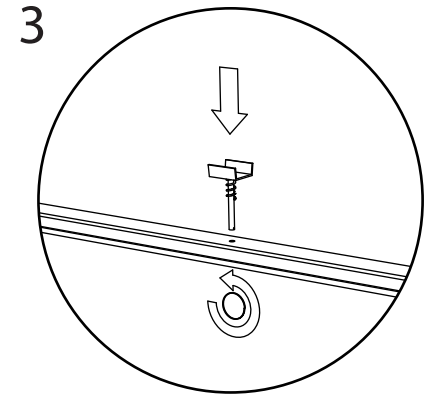
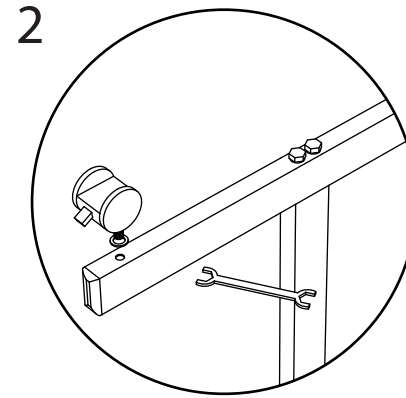
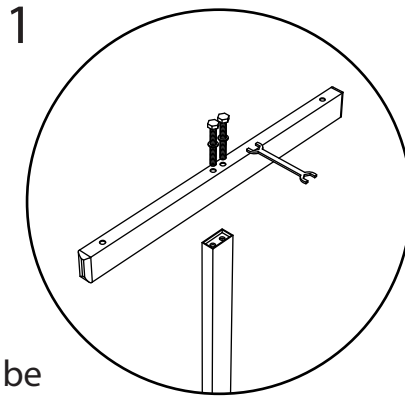
MB3624 - MB4836 - MB7240

MB3040 - MB3648

Mobile Board Assembly Guide

Note: After assembly, remove the protective film from both sides of the board.

Cleaning Tip: A mild dish washing liquid can be used with a soft cloth to clean the writing surface.

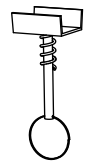


A x 4

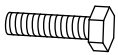
B x 14

C x 14

4



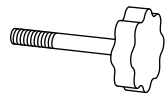
D x 1



E x 8



F x 8



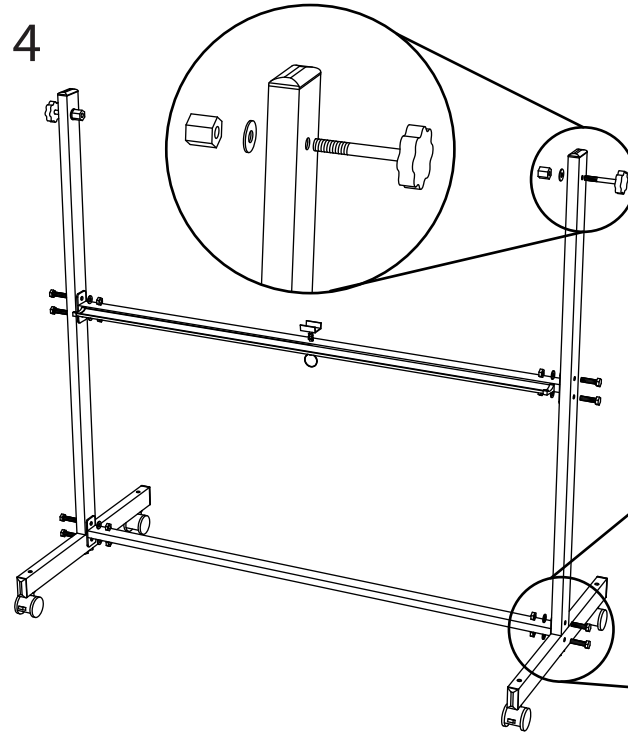
G x 2



H x 2



I x 1



5

