

ST-3

Luxor | www.luxorfurn.com | Phone: 1-800-323-4656 | Address: 2245 Delany Rd. Waukegan, IL 60087
October 2011

PART LIST

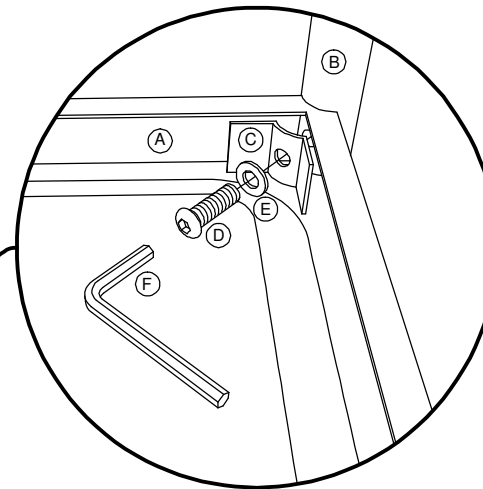
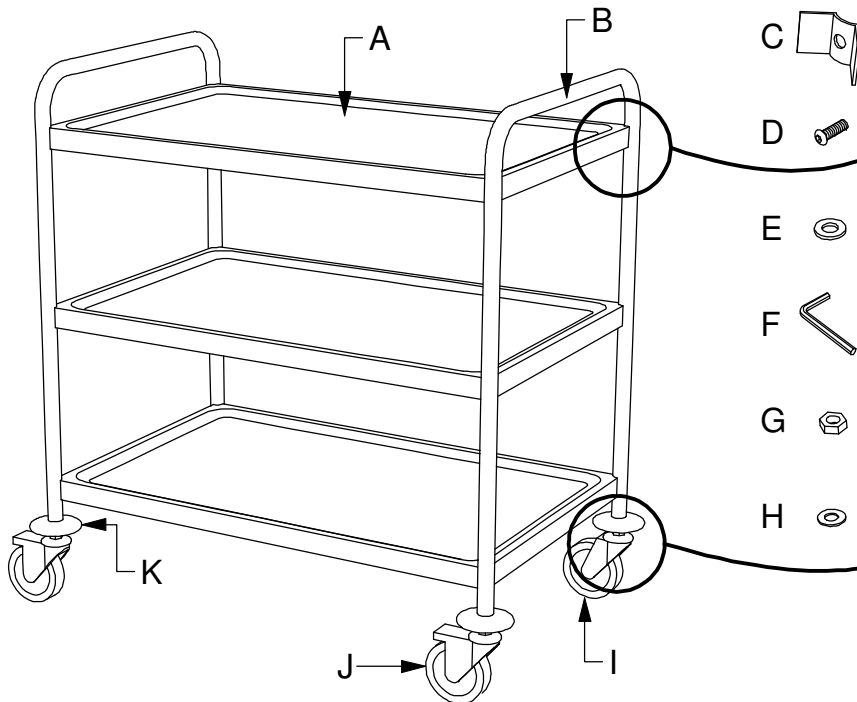
A	Stainless Steel Shelf	3
B	Stainless Steel Leg	2
C	Shelf Bracket	12
D	Shelf Screw - M8 x 25 Socket Cap	12
E	Shelf Washer - M8	12
F	Allen Wrench - 5 mm	1
G	Caster Nut - M14	4
H	Caster Washer - M14	4
I	Caster	2
J	Caster w/ Brake	2
K	Bumper	4
	Instruction Guide	1

Warning Statement

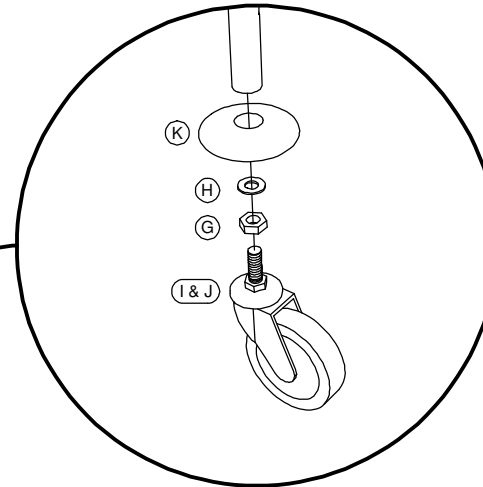
WARNING: LUXOR FURNITURE DOES NOT WARRANT AGAINST DAMAGE CAUSED BY THE USE OF ANY LUXOR FURNITURE PRODUCT FOR PURPOSES OTHER THAN THOSE FOR WHICH IT WAS DESIGNED OR DAMAGE CAUSED BY UNAUTHORIZED ATTACHMENTS OR MODIFICATIONS, AND IS NOT RESPONSIBLE FOR ANY DAMAGES, CLAIMS, DEMANDS, SUITS, ACTIONS OR CAUSES OF ACTION OF WHATEVER KIND RESULTING FROM, ARISING OUT OF OR IN ANY MANNER RELATING TO ANY SUCH USE, ATTACHMENTS OR MODIFICATIONS.

Before you begin

1. Start with the top shelf working your way down
2. Tighten all the screws after the cart is fully assembled and level



Step 1
Starting from the top, attach the shelves (A) to the legs (B) with the shelf brackets (C), screws (D) and washers (E).



Step 2
Attach the nuts (G) to the caster stems. Place the washer (H) on the caster stem, and the bumpers (L) on the legs. Attach the casters (I & J) on the legs. The locking casters (J) go on the long side of the cart.