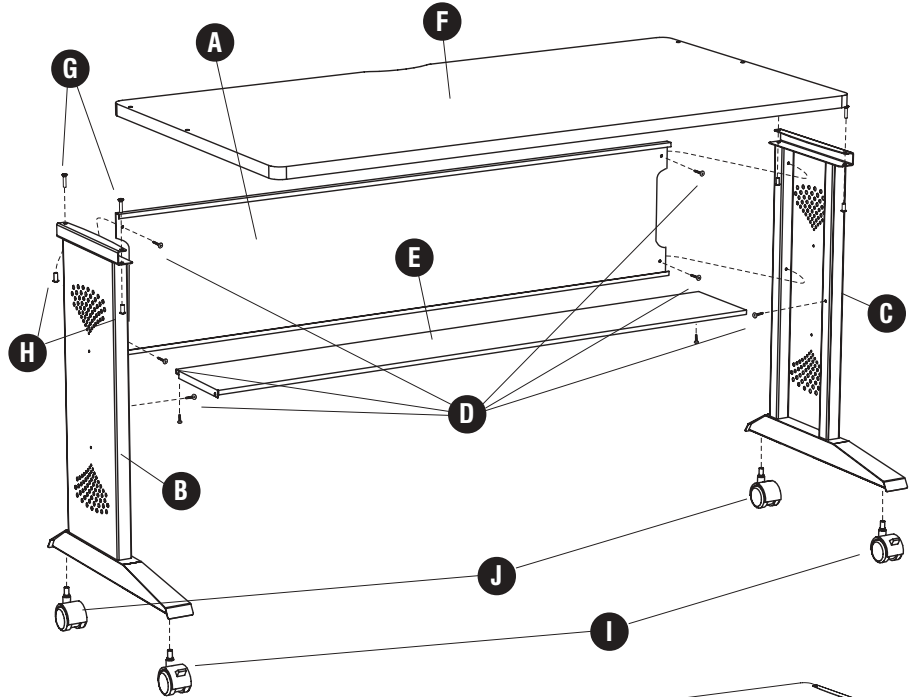


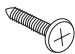


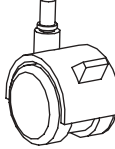
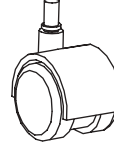
ASSEMBLY INSTRUCTIONS

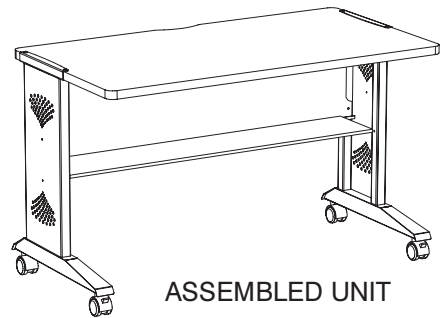
TOOLS REQUIRED: Phillips Screwdriver

PRODUCT WARRANTY REGISTRATION is available online at: www.safcoproducts.com

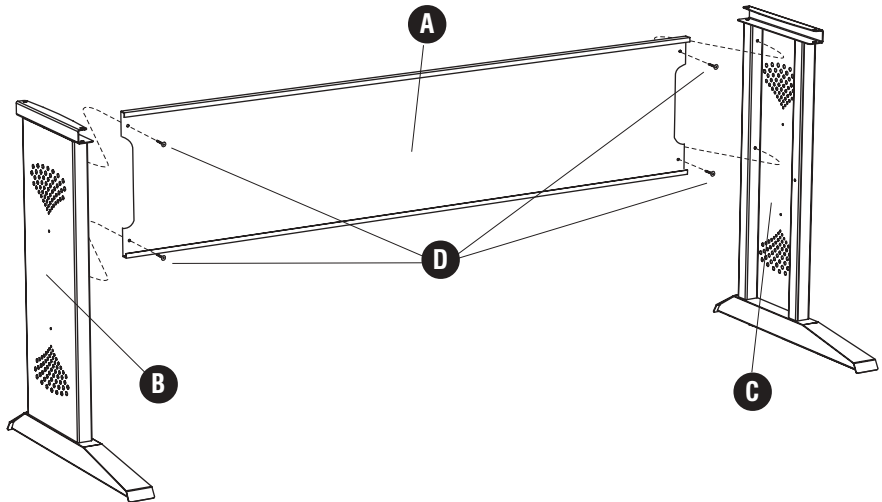
PARTS LIST			
CODE	DESCRIPTION	QTY.	PART NO.
Ⓐ	Modesty Panel: 1932	1	1932-04
	1933	1	1933-04
Ⓑ	Left Leg: 1932	1	1932-02
	1933	1	1933-02
Ⓒ	Right Leg: 1932	1	1932-03
	1933	1	1933-03
Ⓓ	Screw	8	1930-24
Ⓔ	Shelf: 1932	1	1932-05
	1933	1	1933-05
Ⓕ	Top Panel: 1932	1	1932-01
	1933	1	1933-01
Ⓖ	Carriage Bolt	4	1930-22
Ⓗ	Barrel Nut	4	1930-23
Ⓘ	Caster with Brake	2	1932-26
⓵	Caster without Brake	2	1932-25



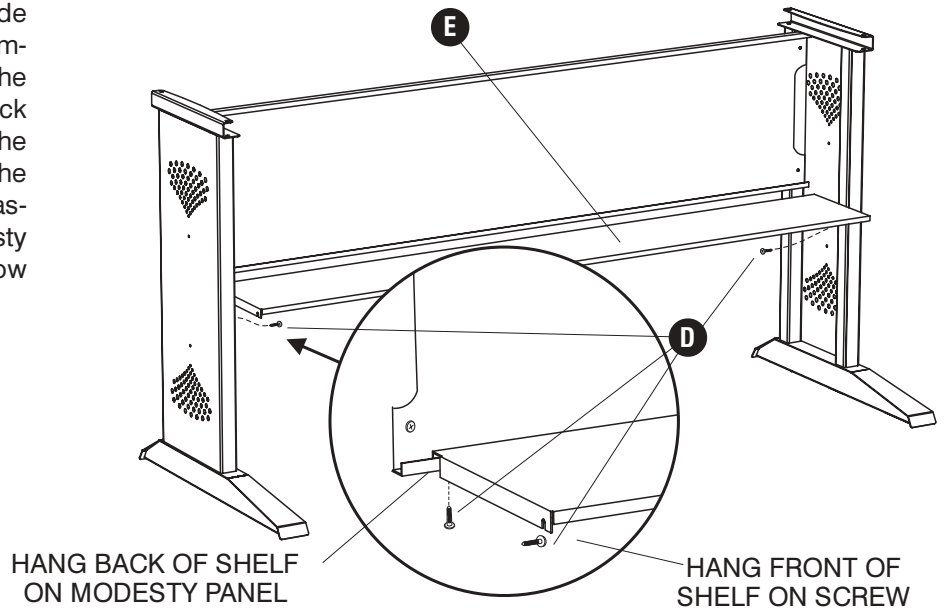
HARDWARE PACK: 193219					
Ⓓ		Ⓖ		Ⓗ	
	Screw		Carriage Bolt		Barrel Nut
Ⓘ		⓵			
	Caster with Brake		Caster without Brake		



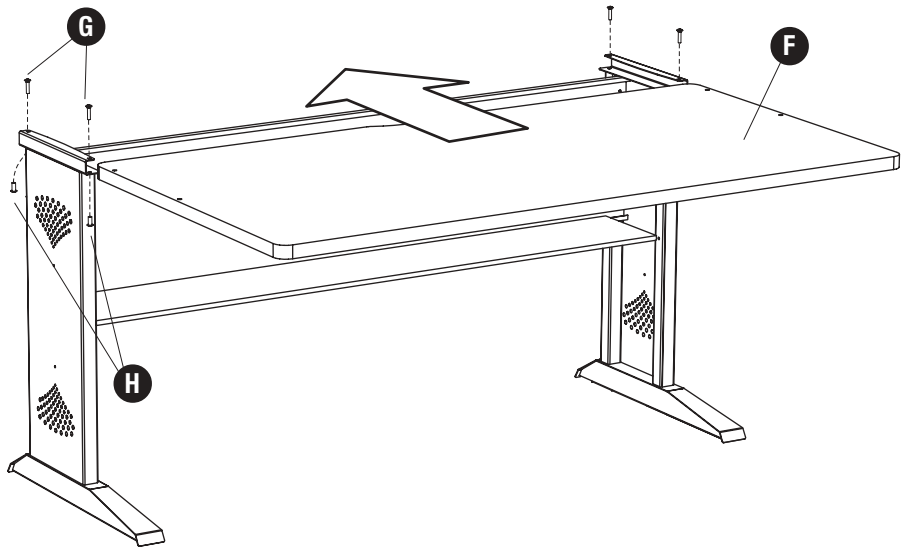
- 1 Attach the Ⓐ Modesty Panel to the Ⓑ Left Leg and the Ⓒ Right Leg with two Ⓓ Screws per side.



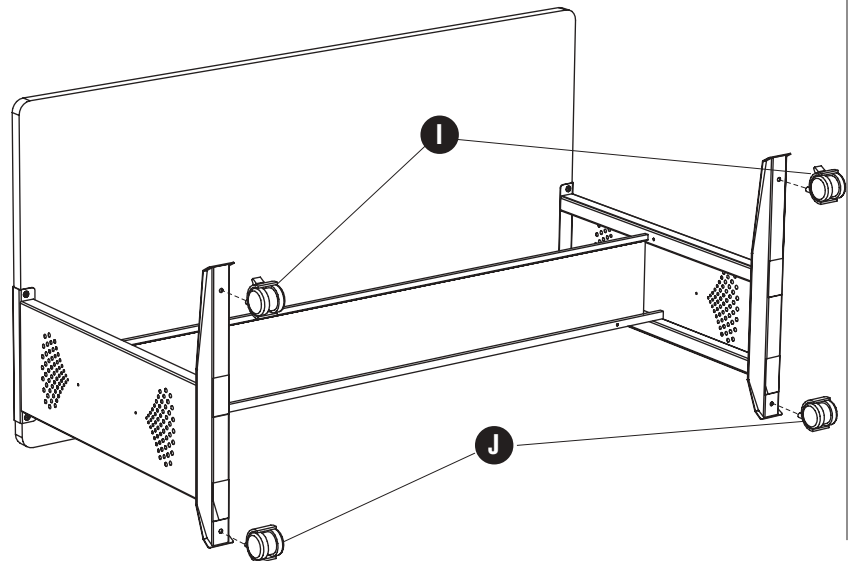
- 2** Insert a (D) Screw in the hole at the inside front of each Leg, but do not tighten completely; leave about 1/16" gap. Place the (E) Shelf between the Legs, with the back flange resting in the bottom flange of the Modesty Panel, and guide the slots at the sides of the Shelf behind the Screws. Fasten Shelf to lower corners of the Modesty Panel with two additional Screws. Now tighten the front Screws.



- 3** The (F) Top Panel can be mounted with either side up; select the side you prefer, and slide it into the top channels of the Legs (the cord cut-out should be facing toward the back). Insert a (G) Carriage Bolt (with the square neck) into each square hole in the Legs, through the Top Panel, and fasten with a (H) Barrel Nut.



- 4** Carefully lay the unit on its back. Screw a (I) Caster with Brake into the front hole of each Leg; screw a (J) Caster without Brake into each rear hole. Set the unit upright.



ATTENTION:
Please CENTER load over Legs
at rear of unit. Do NOT place
heavy loads at front.