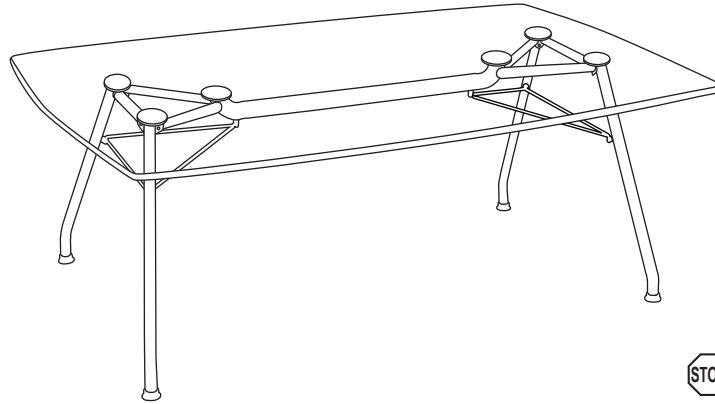
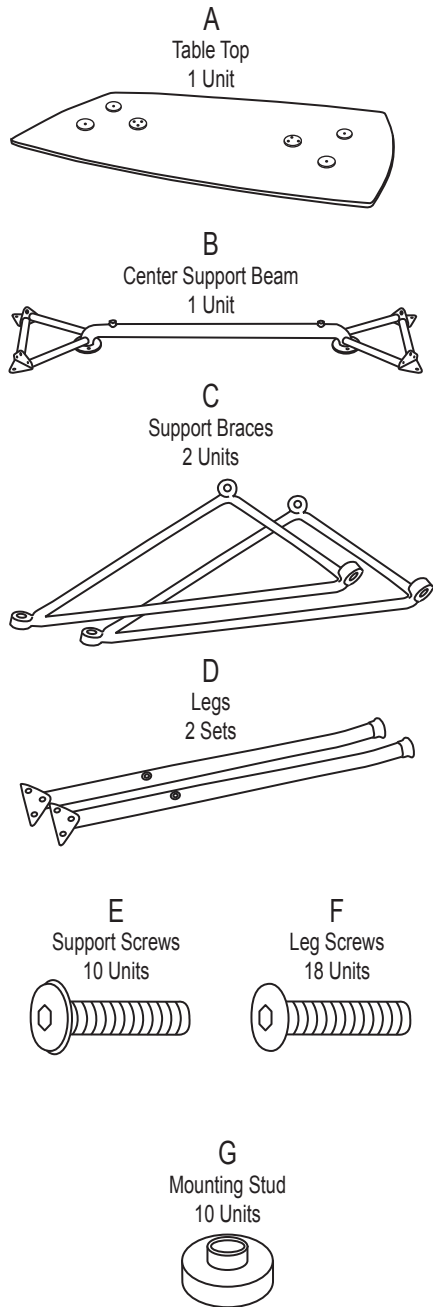


# Model GT4794 Glass Conference Table - 47" x 97"

## Parts Listing



**ATTENTION:** After assembly, 3-4 people are required to turn table right side up.  
Total Weight of Table: 274 lbs.

## Assembly Instructions



**Tools Needed:** 7/32" Allen Wrench

**\*You will need at least 3 people to assemble this table. DO NOT attempt to assemble by yourself.**

**Please read all instructions before assembly.**

**Step 1:** Using three people, very carefully lay the Table Top (A) upside down on a flat, clean surface. Attach the Center Support Beam (B) to the mounting plates on the Table Top (A) by inserting Support Screws (E) through Center Support Beam (B) and Mounting Stud (G), and into mounting plate. Repeat for other side.

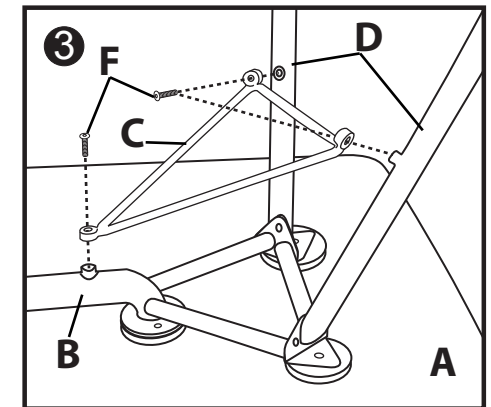
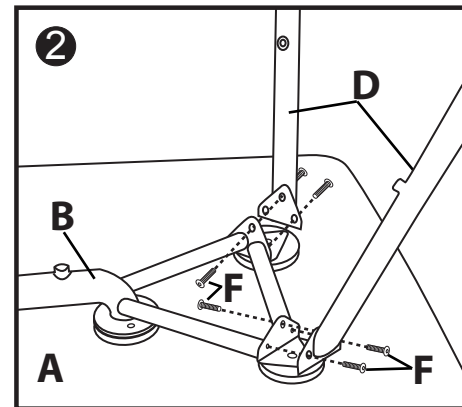
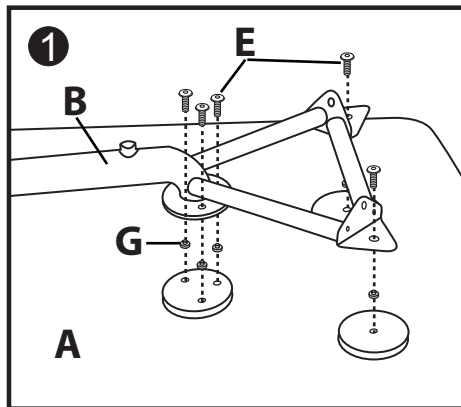
**Step 2:** While one person holds up the Legs (D), attach the Legs (D) to the mounting plates on the Table Top (A) by inserting Leg Screws (F) through holes in the Legs (D) and into the Center Support Beam (B). Please note that two go into the Support Beam (B) and one goes into the Leg (D). Only hand tighten Screws (F). Repeat for other side.

**Step 3:** Secure Legs (D) by lining up Support Braces (C) with holes on the Legs (D) as shown.



**\*Please make note of the distinction between the mounting holes on the Support Braces (C). Two corners have a severe angle, while one corner is less severe. The two matching corners should attach to the Legs (D) as shown.**

Attach by inserting Leg Screws (F) through Support Brace (C) and into Legs (D). After attaching Support Braces (C) to both Legs (D) on one side, line up remaining corner on Support Brace (C) with hole on Center Support Beam (B) and attach by inserting Leg Screw (F) through Support Brace (C) and into Center Support Beam (B). Repeat for other side. **Securely tighten all screws in table.**



### Assembly Notes:

During assembly, hand tighten screws only. When all screws are in place, you may then tighten all screws completely.

### CAUTION:

1. Do not use this table as a step ladder.
2. Check for loose screws and tighten them every 6 months.

**ofm**  
Furniture For The Real Office™

161 Tradition Trail, Holly Springs, NC, 27540  
800-520-7471 (voice) 919-362-4765 (fax)  
919-303-6389 (voice) www.ofminc.com  
support@ofminc.com