

Deluxe Chart Stand

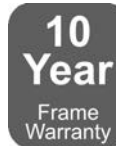


If parts are missing or you experience problems, please call:

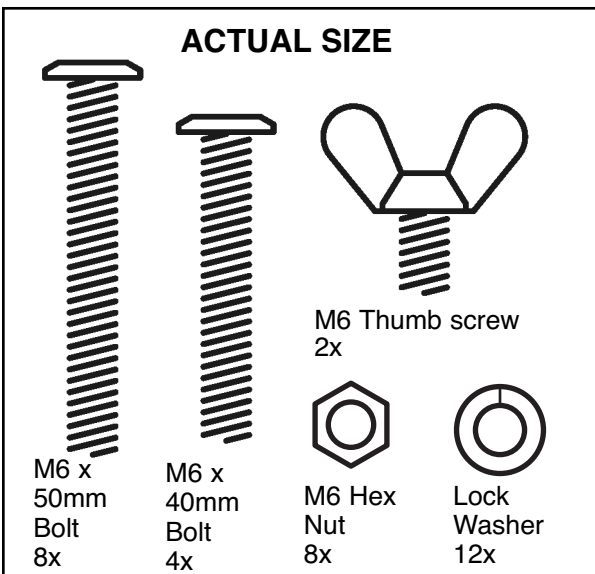
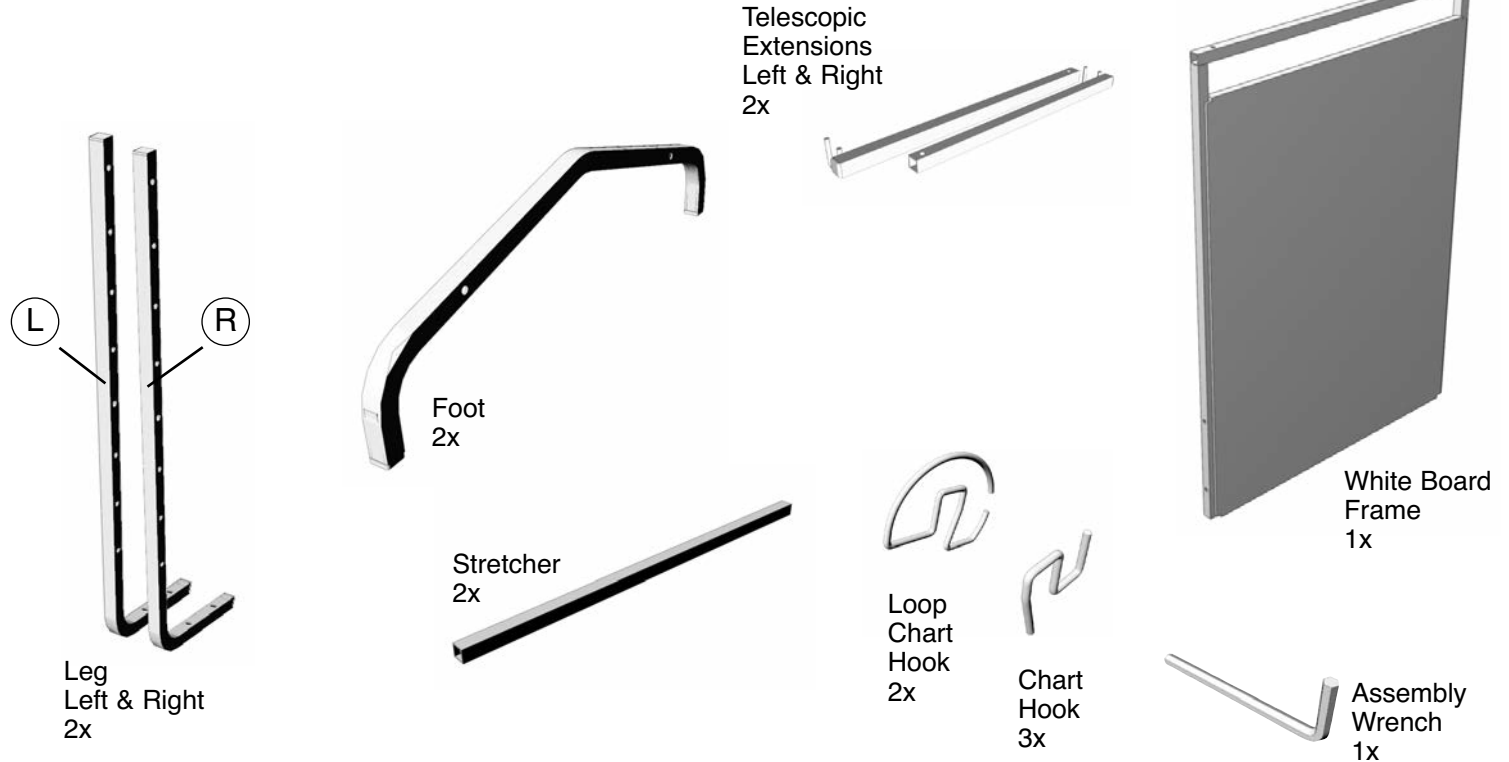
1-800-267-8494

Have your packing slip ready for reference

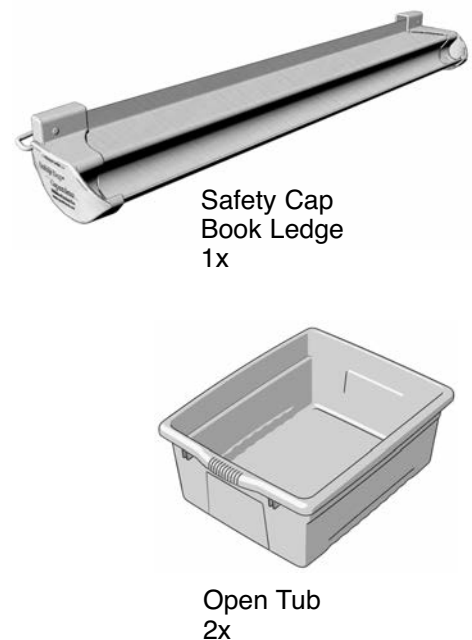
or email info@copernicused.com



Contents of Box 1

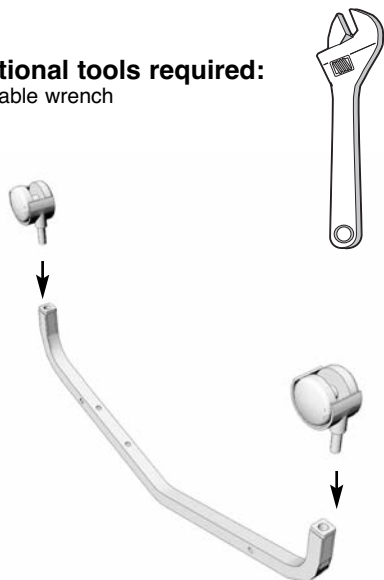


Contents of Box 2



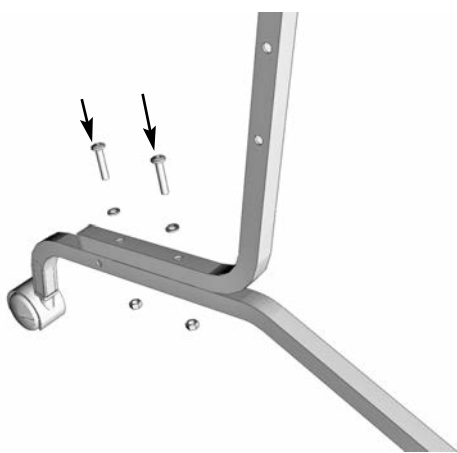
NOTE: Do not tighten any fasteners until the unit is fully assembled

Additional tools required:
Adjustable wrench



1 Insert 2" casters

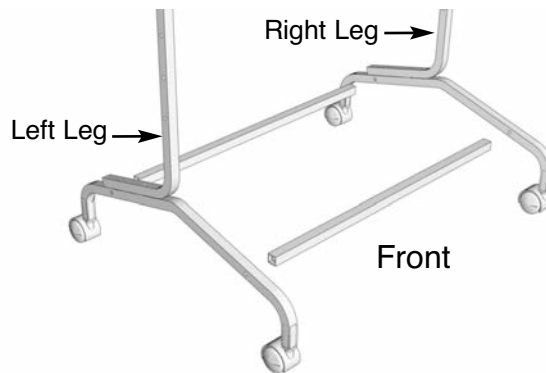
- place Foot upside down
- push caster stem inside the caster insert
- tap in with a mallet if required
- repeat for other Foot



2 Attach Legs to Feet

- align holes in the Legs with holes in the Feet
- fasten with four 50mm bolts, lock washers & nuts
- hand tighten only
- repeat for other side

Note:
Ensure that the Left and the Right Legs are positioned accordingly before installing stretchers



3 Install Stretchers

- align Stretchers with holes in the Feet
- fasten with four 40mm bolts & lock washers
- hand tighten only



4 Select your White Board Height

- select a White Board position to suit the height that works best for your classroom
- early childhood and primary teaching may prefer a lower position
- junior and intermediate teachers may prefer a higher position
- note the holes that work best for you



5 Attach White Board Frame

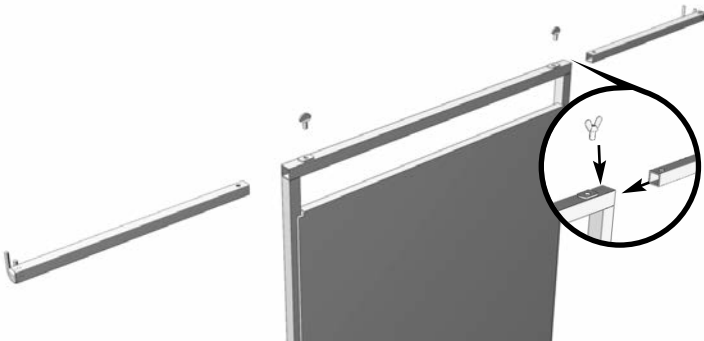
- place the assembled base upright with all casters locked
- align the side holes on the White Board Frame with the desired holes on the Legs

Note: The height of the White Board Frame is determined by the set of holes you select

- fasten with four 50mm bolts, lock washers & nuts

6 Tighten all Bolts

- 12 in total



7 Install Telescoping Extensions

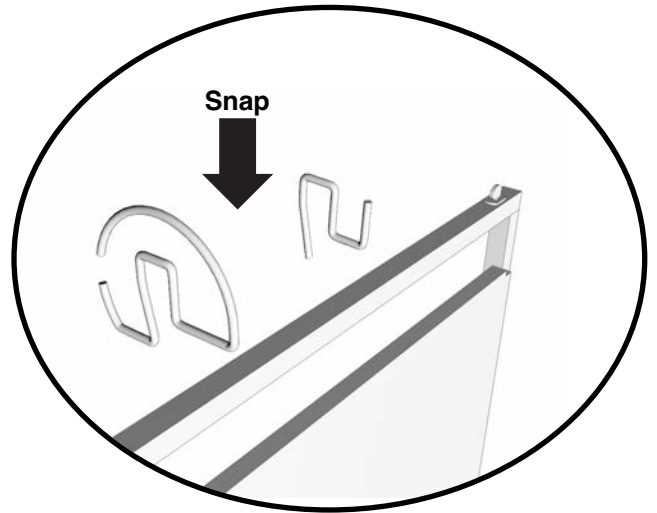
- slide Telescoping Extensions in place as shown
- tighten desired position with thumb screw



8 Install Premium Book Ledge

- insert one hook into the appropriate hole in the White Board Frame
- pull out the opposite hook & snap into place

Note: The spring tension is designed to discourage children from unhooking the Book Ledge



9 Install Chart Hooks

- to avoid scratching the paint, place the empty plastic hardware bag over the top stretcher & install the hooks over top
- tear the plastic hardware bag off

Validate your Warranty

To validate your ten year frame warranty and lifetime tub warranty, submit the ON-LINE form at www.copernicused.com

User name: quality

Password: safety#1

My idea of education is to unsettle the minds of the young and inflame their intellects.

ROBERT MAYNARD HUTCHINS

If you think education is expensive, try ignorance.

DEREK BOK

Quality schools are the result of quality teachers going above and beyond the call of duty.

VICKI CARUANA

In everyone's life at some time our inner fire goes out. It is then burst into flame by an encounter with another human being. We should all be thankful for those people who rekindle the inner spirit.

ALBERT SCHWEITZER

Nothing has a better effect upon children than praise.

SIR PHILIP SIDNEY

Important Tips for Your White Board Surfaces

Before Use

1. Some boards are shipped with a protective plastic film to prevent scratches. Be sure to remove this film prior to writing on the surface.
2. Spray your board with a white board cleaner and wipe with a soft cloth. Rinse with water and dry with a soft dry cloth.

User Tips

**We highly recommend Expo® brand dry erase markers (“low odor” markers are best for using around children, but may not erase as easily as regular “high odor” markers).

DO

- Erase after every use with a clean dry soft cloth or eraser (eraser should be specifically designed for white boards)
- Use white board cleaner as needed
- Replace your dry erase markers as needed to avoid “ghosting”

DON'T

- Use abrasive erasers, cleaners, sponges or rags
- Use a chalkboard eraser
- Use a wet eraser
- Use permanent marker – Keep them away from your white boards!

Tips to Remove Permanent Marker

1. Using a dry erase marker, write over top of permanent marker. Let dry. Erase. Repeat a few times.
2. Try a Pentel Brand HI-Polymer Pencil eraser.
3. With a very small amount of isopropyl alcohol (rubbing alcohol) on a soft cloth, clean stained area only. Rinse with water. Dry with soft cloth. Repeat a few times.
4. SoySafe™ white board Cleaner & Restorer is also perfect for removing permanent marker stains. Copernicus item # AC405.

Note: Under no circumstances should cleaners which contain paint remover or thinner be used.



Cleans and restores whiteboards (AC405)



Lined Dry Erase Board (AC350)



Non-Magnetic Dry Erase Board (WB63)



Removable Lined Dry Erase Board (AC455)



Educational Products Inc.

...making teaching a little easier

If any parts are missing or you experience problems, please call:

1-800-267-8494

Have your packing slip ready for reference

or email info@copernicused.com

Keep these tips for future reference.