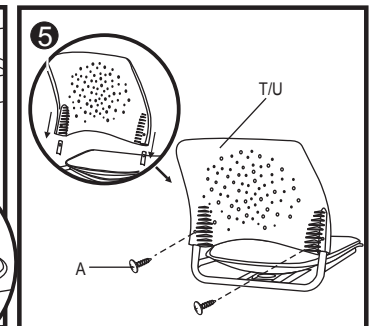
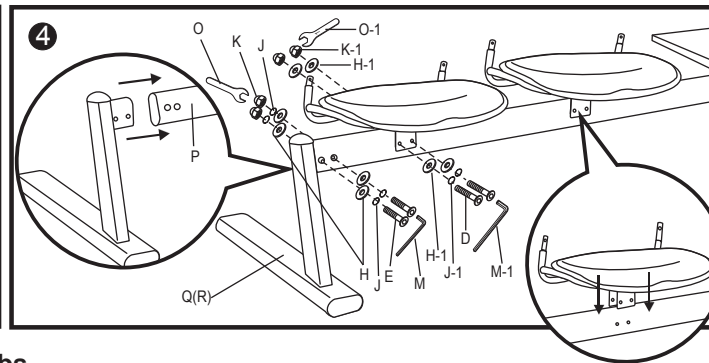
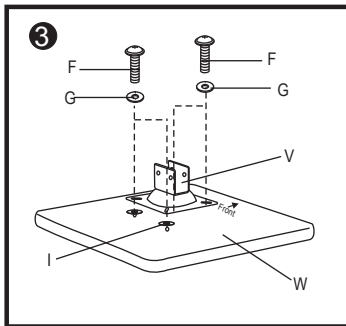
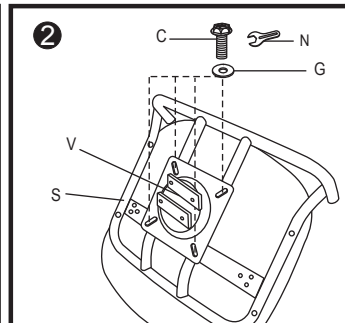
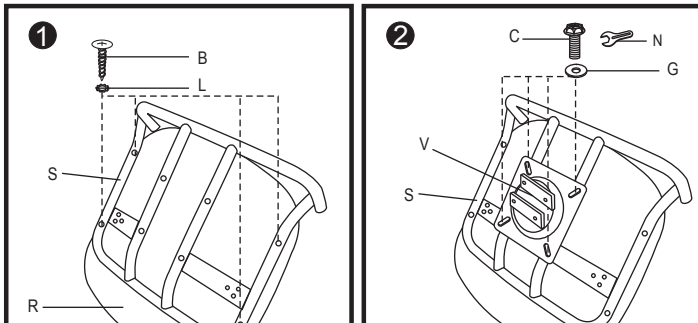
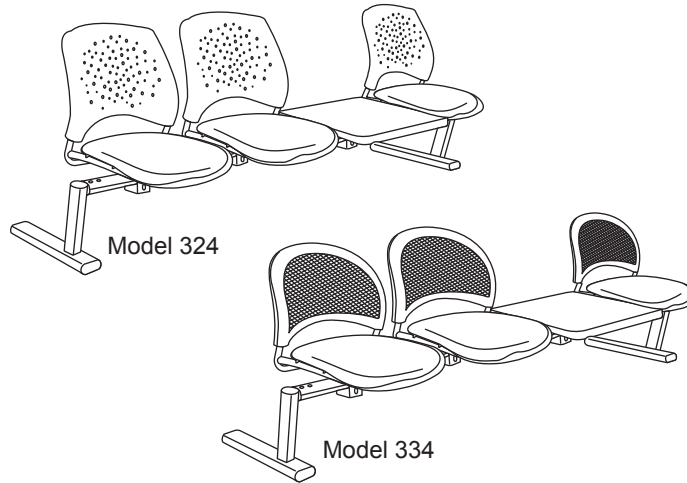
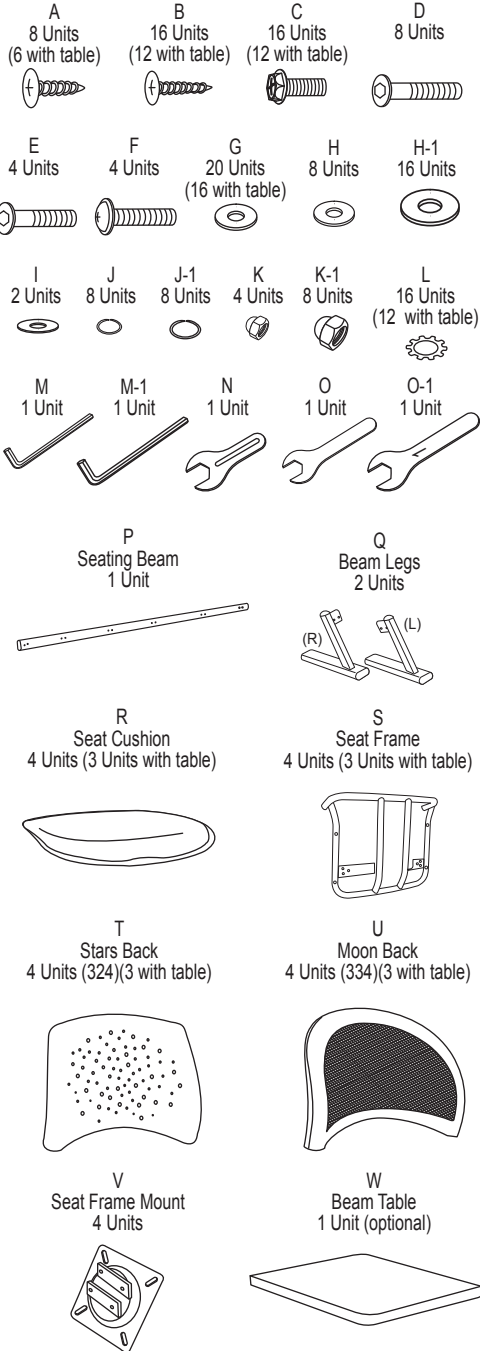


# Model 324 / 334 Four Unit Beam Seating

## Parts Listing



## Assembly Instructions

**Tools Needed: Phillips Head Screwdriver**  
 Please read all instructions before assembly.

**Step 1:** Attach Seat Cushion (R) to Seat Frame (S) using screws (B) and washers (L). Tighten screws with Philips head screwdriver.

**Step 2:** Attach Seat Frame Mount (V) to the Seat Frame (S) with 4 bolts (C) and washers (G), using wrench (N) that is provided.

**Step 3:** First place 2 washers (I) between Table (W) and Frame Mount (V) on two back drill holes. Then attach Frame Mount (V) to Table (W) with bolts (F) and washers (G), using Philips head screwdriver.

**Step 4a:** Place Beam Legs (Q) into open ends of Seating Beam (P). Attach with bolts (E), small washers (J), large washers (H) and nuts (K) as shown in diagram Step 4, using allen wrench (M) that is provided.

**Step 4b:** Place Seat Frame Mount (V) and Seat Frame (S) onto Seating Beam (P) and align holes. Attach with long bolts (D), small washers (J-1), large washers (H-1) and nuts (K-1) as shown in diagram Step 4, using allen wrench (M-1) that is provided.

**Step 5:** Place the plastic chair Back (T / U) onto top of Seat Frame (S). Line up holes in the rear of the chair back and frame and connect using two short screws (A). Tighten screws with Philips head screwdriver.

**WEIGHT CAPACITY: 1,000 lbs.**

### Assembly Notes:

During assembly, hand tighten screw only when all screws are in place, you may then tighten all screws completely.

### CAUTION:

1. Do not use this chair as a step ladder.
2. Check for loose screws and tighten them every 6 months.

**ofm<sup>U</sup>**  
 Furniture For The Real Office™

161 Tradition Trail Holly Springs, NC, 27540  
 800-520-7471 (voice) 919-362-4765 (fax)  
 919- 303-6389 (voice) www.ofminc.com  
 support@ofminc.com