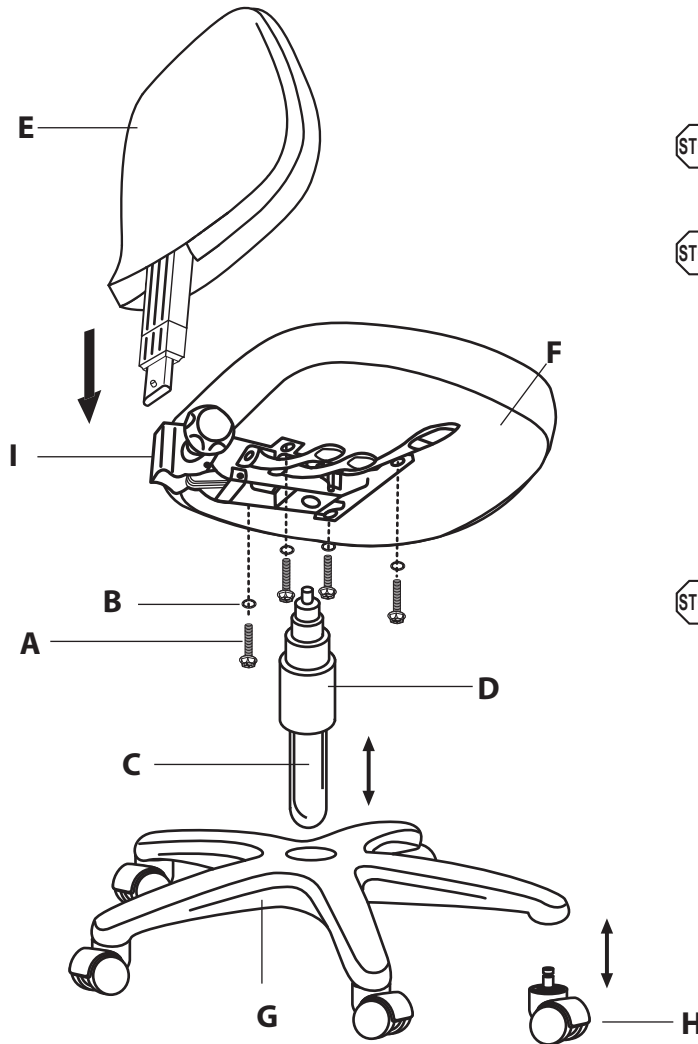
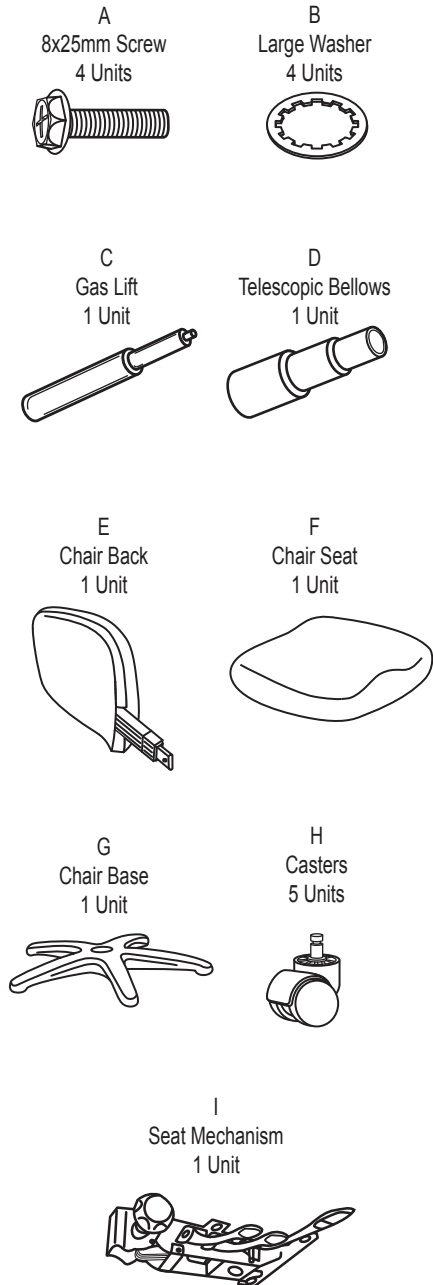


Models 241 / 241-AA / 241-DK / 241-AA-DK 24-Hour Task Chair

Parts Listing



WEIGHT CAPACITY: 250 lbs.

Assembly Notes:

During assembly, hand tighten screw only when all screws are in place, you may then tighten all screws completely.

CAUTION:

1. Do not use this chair as a step ladder.
2. Check for loose screws and tighten them every 6 months.

Assembly Instructions



Tools Needed: Phillips Head Screwdriver
Please read all instructions before assembly.

Step 1: Insert Casters (H) into Chair Base (G).



If you are assembling a model with a DK Foot Ring please proceed to subsequent pages for drafting kit assembly instructions.

Step 2: Insert Gas Lift (C) into hole into Chair Base (G), and cover Gas Lift (C) with Telescopic Bellows (D).

Step 3: Place Chair Seat (F) upside down on flat surface and align the holes in the Seat Mechanism (I) with the holes in the bottom of the Chair Seat (F).

Step 4: Place one Large Washer (B) on each of four 8x25mm Screws (A) and insert through holes in the Seat Mechanism (I) into the Chair Seat (F). Tighten with a screwdriver.



If you are assembling a model with optional Adjustable Arms please proceed to subsequent pages for armrest assembly instructions.

Step 5: Insert Chair Back (E) into hole in the back of Seat Mechanism (I). You may have to unscrew the hand tension knob to allow plastic cover to sit properly. Tighten hand tension knob to secure Chair Back (E) into place.

Step 6: Place Chair Seat (F) onto Chair Base (G) by inserting top of Gas Lift (C) into the hole in the center of the Seat Mechanism (I). Push down on Chair Seat (F) firmly to secure to Chair Base (G).

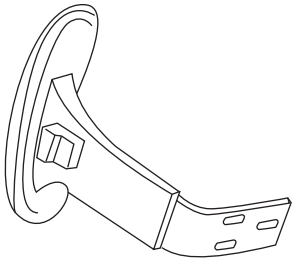
ofm
Furniture For The Real Office™

161 Tradition Trail Holly Springs, NC, 27540
800-520-7471 (voice) 919-362-4765 (fax)
919-303-6389 (voice) www.ofminc.com
support@ofminc.com

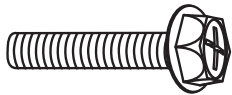
Model AA-1 Adjustable Arms

Parts Listing

A
AA-1 Adjustable Armrest
2 Units



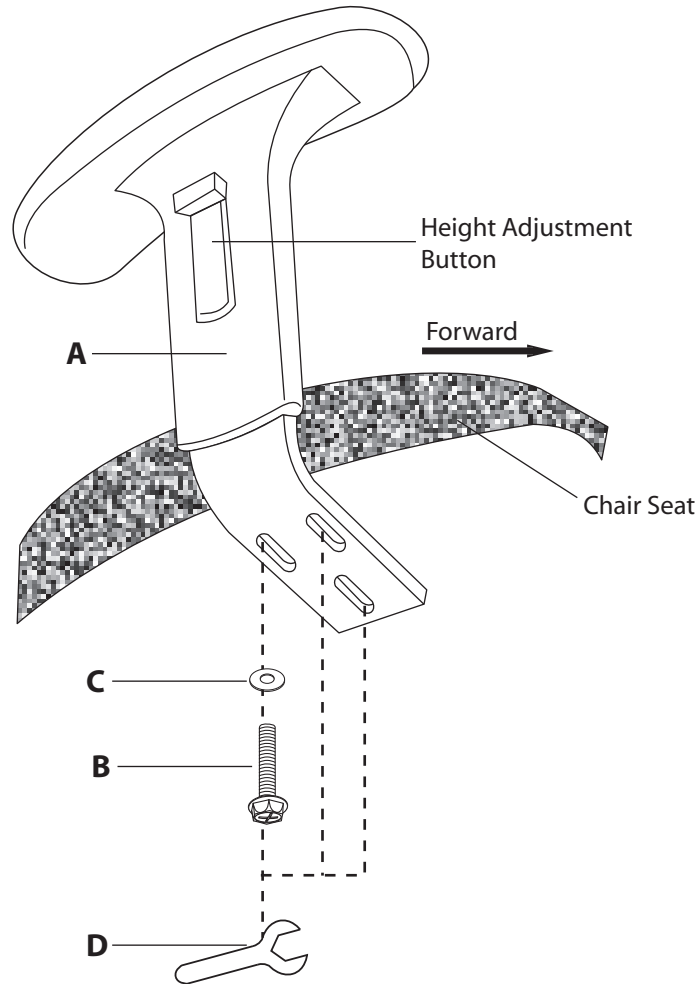
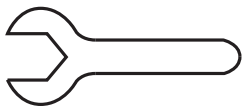
B
M6x25mm Hex Screw
6 Units



C
Washer
6 Units



D
Wrench
1 Unit



Assembly Instructions



Tools Needed: Phillips Head Screwdriver
Please read all instructions before assembly.

- Step 1:** Turn Chair Seat upside down and place on a clean, non-abrasive surface.
- Step 2:** Align the pre-drilled holes in the Adjustable Armrest (A) with the holes in the bottom of the Chair Seat, making sure that the arms face the correct direction.
- Step 3:** Place three Washers (C) onto three M6x25mm Hex Screws (B) and insert through the Armrest (C) holes and into the Chair Seat.
- Step 4:** Tighten Screws (B) using supplied Wrench (D) or screwdriver. It is recommended that to assure screws are secure, a screwdriver is used to tighten.

To Adjust Arms:

Pull up on the Height Adjustment Button and slide to desired height.

Assembly Notes:

During assembly, hand tighten screw only when all screws are in place, you may then tighten all screws completely.

CAUTION:

1. Do not use this chair as a step ladder.
2. Check for loose screws and tighten them every 6 months.

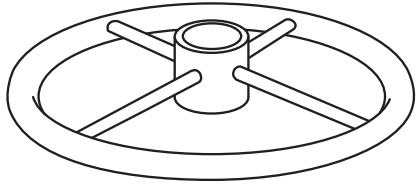
ofm^U_Z
Furniture For The Real Office™

161 Tradition Trail Holly Springs, NC, 27540
800-520-7471 (voice) 919-362-4765 (fax)
919-303-6389 (voice) www.ofminc.com
support@ofminc.com

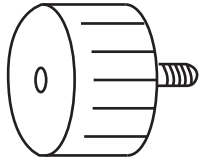
Model DK-2 Drafting Kit Assembly

Parts Listing

A
Circular Foot Rest
1 Unit



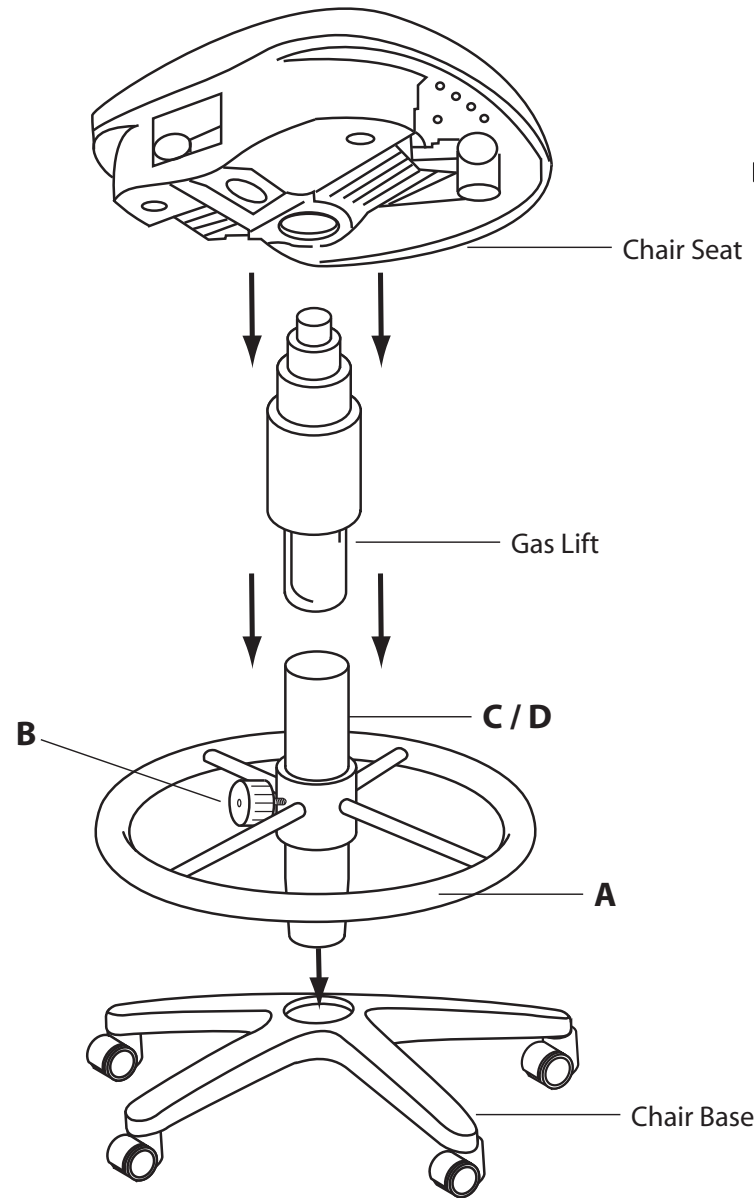
B
Tension Knob
1 Unit



C
9" Extension Tube
1 Unit



D
12" Extension Tube
1 Unit



Assembly Instructions



*Please read all instructions before assembly.
Prior to assembly, select only one Extension Tube
for desired Height*

**9" Extension Tube will change seat height from 24"-28"
12" Extension Tube will change seat height from 27-31"**

Step 1: Slide the Circular Foot Rest (A) over the smaller tapered end of your chosen Extension Tube (C / D).

Step 2: Screw in Tension Knob (B) and tighten to lock Foot Rest (A).

Step 3: Place the tapered end of Extension Tube (C / D) into your Chair Base.

Step 4: Insert bottom of Gas Lift Cylinder into the top end of the Extension Tube (C / D).

Step 5: Place the Chair Seat onto the Gas Lift by inserting top of Gas Lift into the hole in the Seat Mechanism.

Step 6: Press down firmly to secure the chair.

Note: Save the left over extension tube for future use.

ofm
Furniture For The Real Office™

161 Tradition Trail Holly Springs, NC, 27540
800-520-7471 (voice) 919-362-4765 (fax)
919- 303-6389 (voice) www.ofmnc.com
support@ofmnc.com 04.06.2010