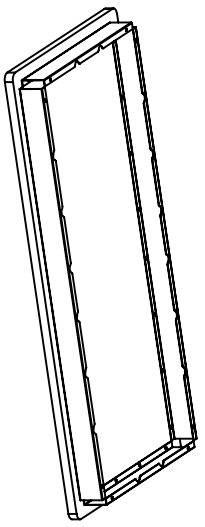


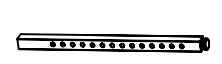
ASSEMBLY INSTRUCTIONS



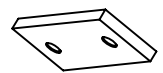
Ax 1



Bx 4



Cx 4



Dx 4



Ex 8

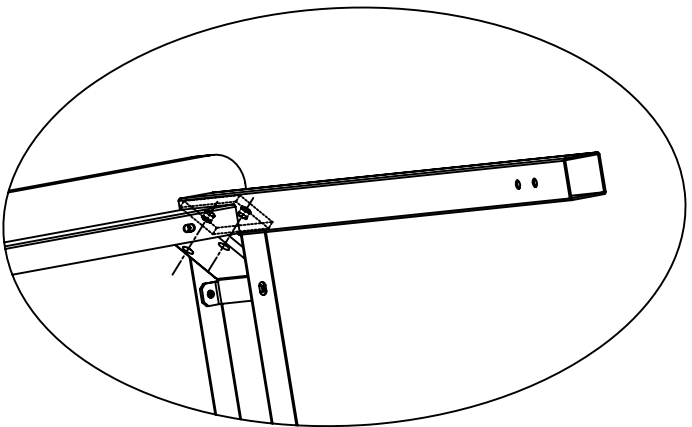
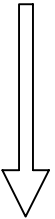
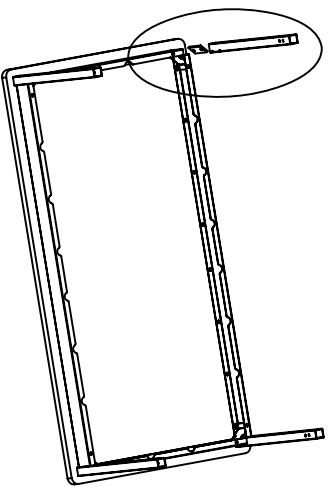


Fx 8



Gx 8

1



2

