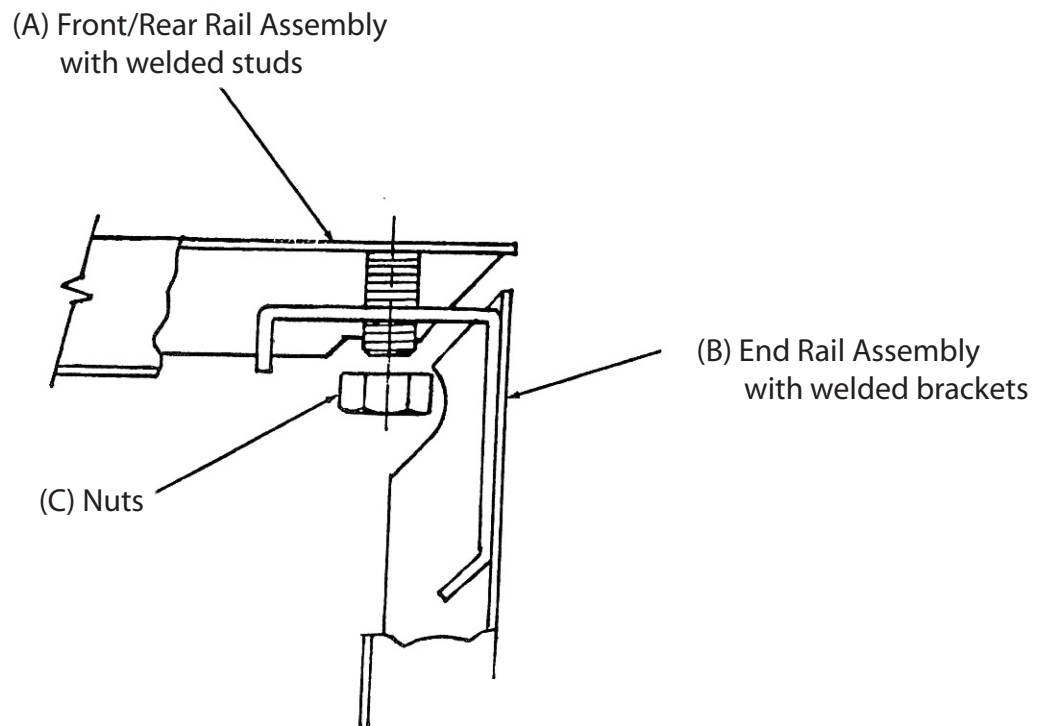


Flat File Closed Base Instructions

Model Numbers: 244883, 244877, 244880

- 1) Fasten one of the Front/Rear Assemblies (A) each of the End Rail Assemblies (B) by inserting the welded studs into the holes on the welded brackets and installing Nuts (C).
- 2) Repeat to fasten the other Front/Rear Assembly on the opposite side.



Parts List

Part	Quantity
(A) Front/Rear Rail Assembly	2
(B) End Rail Assembly	2
(C) Nuts - M6 NUT	8