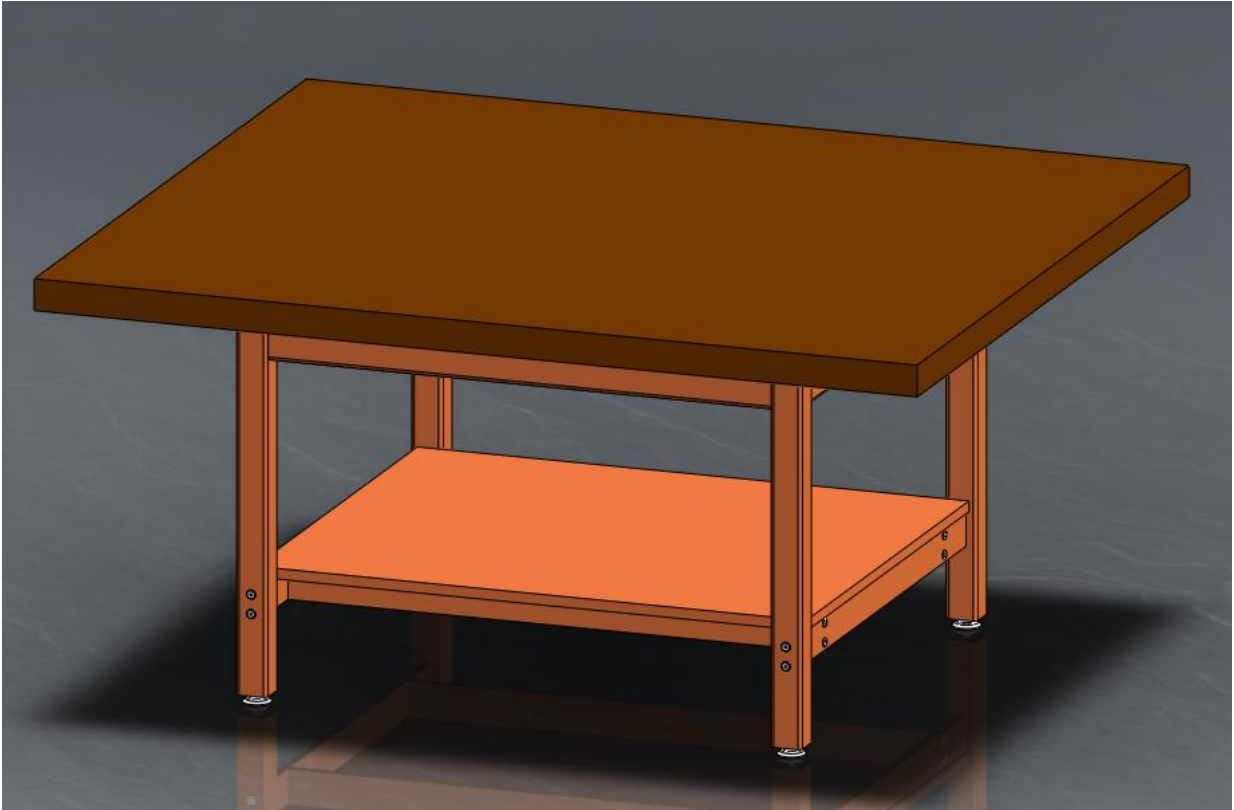




ASSEMBLY INSTRUCTIONS

WW4 WORKBENCHS ASSEMBLY INSTRUCTIONS



***Model views may not represent exact model purchased**

TABLE OF CONTENTS

ASSEMBLY COMPONENTS_____ 3
APRON TO LEG ATTACHMENT_____ 4
LEG ASSEMBLY_____ 5
LEG BRACES & STRETCHERS_____ 6

ASSEMBLY COMPONENTS

ITEMS INCLUDED	PART #
1-LEG KIT, TABLE	L3030
1-APRON ASSY, TABLE	231995
1-TOP, TABLE	16-0052
2-STRETCHERS, LEG	S7000
1-SHELF, ADJ, MD3, EB4, .75	231996-4000
2-BRACES	LS7000
8-SCREW, 7MMX90MM	227578
8-SCREW, 7MMX50MM,	228564
6- SCREWS, #8.00X1.5 FSQ	100066
12-SCREW, #8X1-3/4 QUAD RD WASH HD	100641
WILTON CORP - 63144 - VISE-78A OPTIONS WITH VISES	20-0185

---	Original Created	5-22-09	NAM
1.	Added details for the top assembly. Center top, ect...	5-19-10	DK
2.	REV PARTS LIST AND ASSY INSTRUCTIONS	7/23/10	TJP

REV

DESCRIPTION

DATE

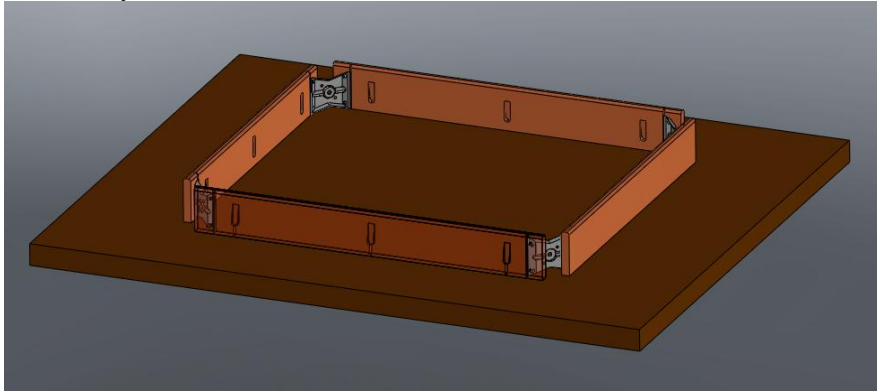
Assembly Instructions

Items not included but needed for assembly:

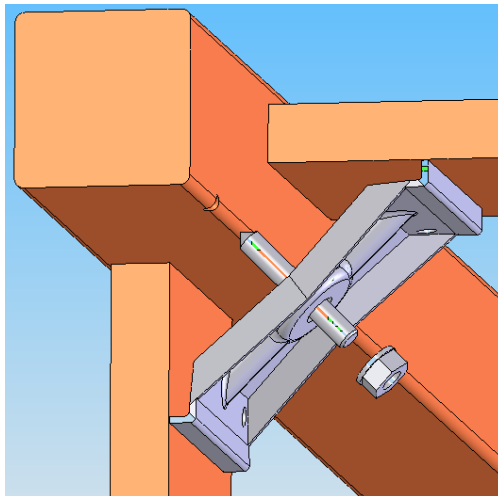
1. ½" wrench

Instructions:

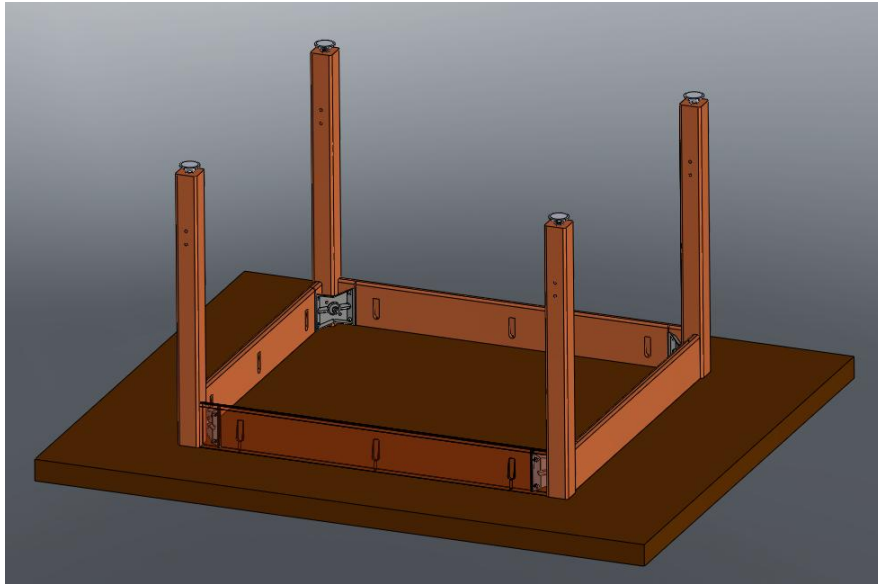
1. Lay the top on a clean and level surface, so you don't damage the tabletop. Place the side of the top with the beveled edge (good side) facing downward. *NOTE:* You may need additional help with this step, as the top, and or apron assembly will be heavy.



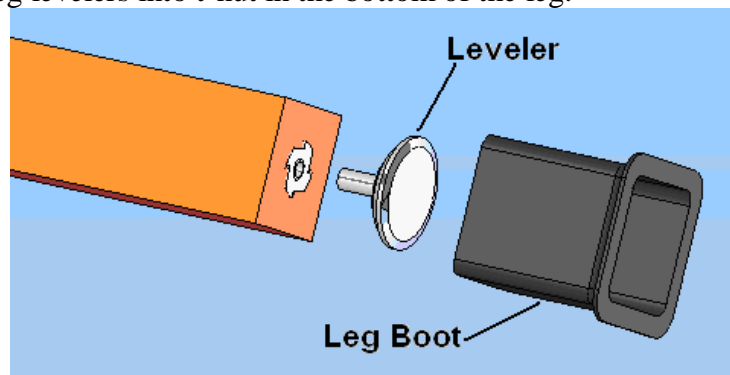
2. Take each of the table legs and insert the stud bolt through the hole in the steel corner brace.



3. Apply a lock washer and a 5/16" nut onto each stud bolt. Tighten each nut using a minimum of 12 foot-pounds but not exceeding 17 foot-pounds of torque.

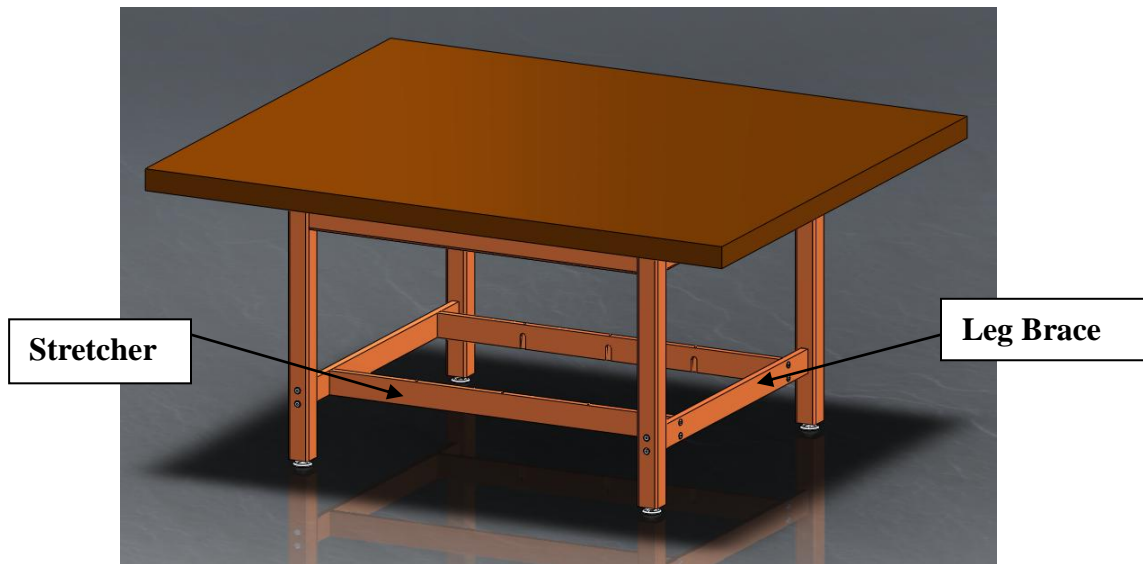


4. Slide leg boots onto the legs with the flared end toward the bottom of the leg.
5. Screw leg levelers into t-nut in the bottom of the leg.



6. **NOTE: TABLES WITH LEG BRACES AND STRETCHERS SEE FIGURE 8A.**

FIGURE 8A



7. Attach leg braces with: (SCREW,7MMX90MM,CONN,ALLENHEAD,BLACK)
Provided
8. Attach stretcher with: (SCREW,7MMX50MM,CONN,ALLENHEAD,BLACK)
Provided
9. Attach shelf using 6- SCREWS,#8.00X1.5 FSQ SMS TYPE 17 (100066)
10. Turn the table over so the top is up. Set your table in place and adjust the leg levelers to level the table.
11. Slide the leg boot down to the floor.