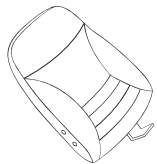


Model 550 / 550-L "Mobile Arm" Executive/Conference Chair

Parts Listing

A
Chair Back
1 Unit



B
Chair Seat
1 Unit



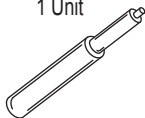
C
Chair Base
1 Unit



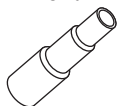
D
Casters
5 Units



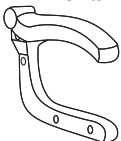
E
Gas Lift
1 Unit



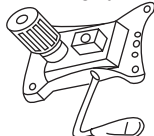
F
Telescopic Bellows
1 Unit



G
Chair Arms
2 Units



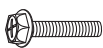
H
Seat Mechanism
1 Unit



I
Arm Caps
8 Units



J
8x25mm Screws
16 Units



Assembly Instructions



Tools Needed: Phillips Head Screwdriver
Please read all instructions before assembly.

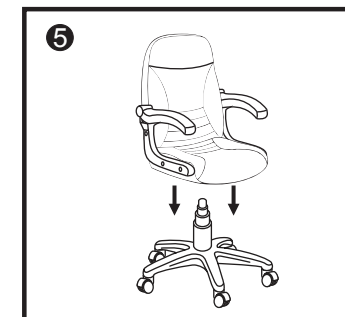
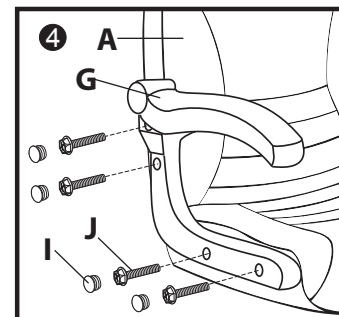
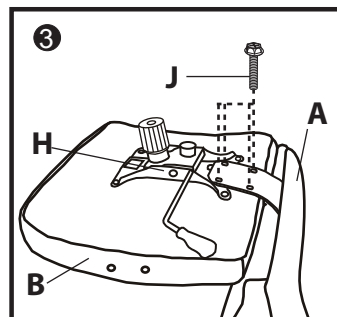
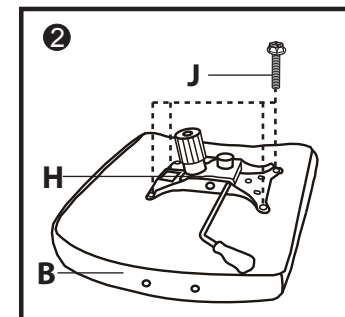
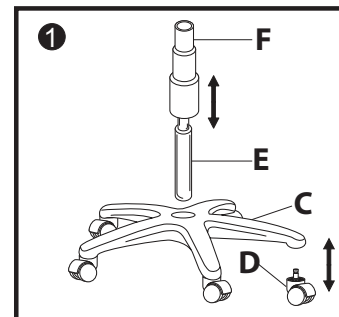
Step 1: Insert Casters (D) into Chair Base (C). Insert Gas Lift (E) into Chair Base (C).

Step 2: Attach Seat Mechanism (H) to the Chair Seat (B) with 4 Screws (J).

Step 3: Attach mounting plate on Chair Back (A) to Seat Mechanism (H) and Chair Seat (B) with 4 Screws (J).

Step 4: Attach Chair Arms (G) to Chair Back (A) and Chair Seat (B) using Screws (J). Cover screw holes with Arm Caps (I).

Step 5: Take entire chair frame and place Seat Mechanism (H) onto Gas Lift (E), and press down firmly to secure.



WEIGHT CAPACITY: 250 lbs.

Assembly Notes:

During assembly, hand tighten screw only when all screws are in place, you may then tighten all screws completely.

CAUTION:

1. Do not use this chair as a step ladder.
2. Check for loose screws and tighten them every 6 months.

ofm
Furniture For The Real Office™

161 Tradition Trail Holly Springs, NC, 27540
800-520-7471 (voice) 919-362-4765 (fax)
919- 303-6389 (voice) www.ofminc.com
support@ofminc.com